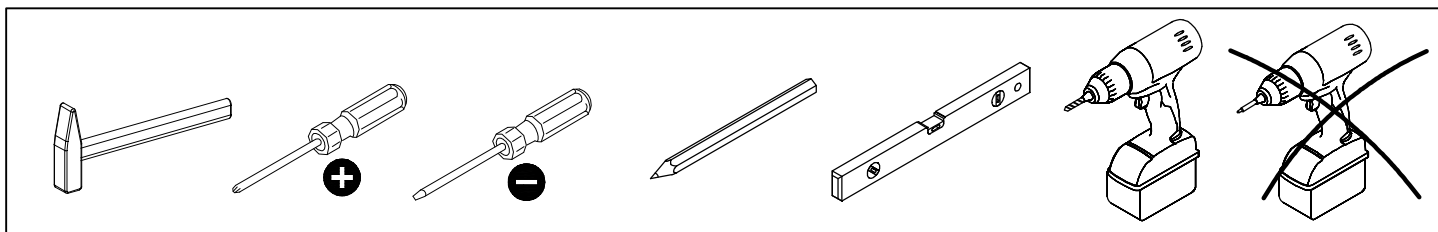
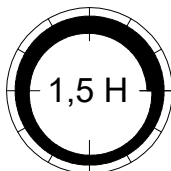
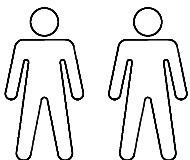
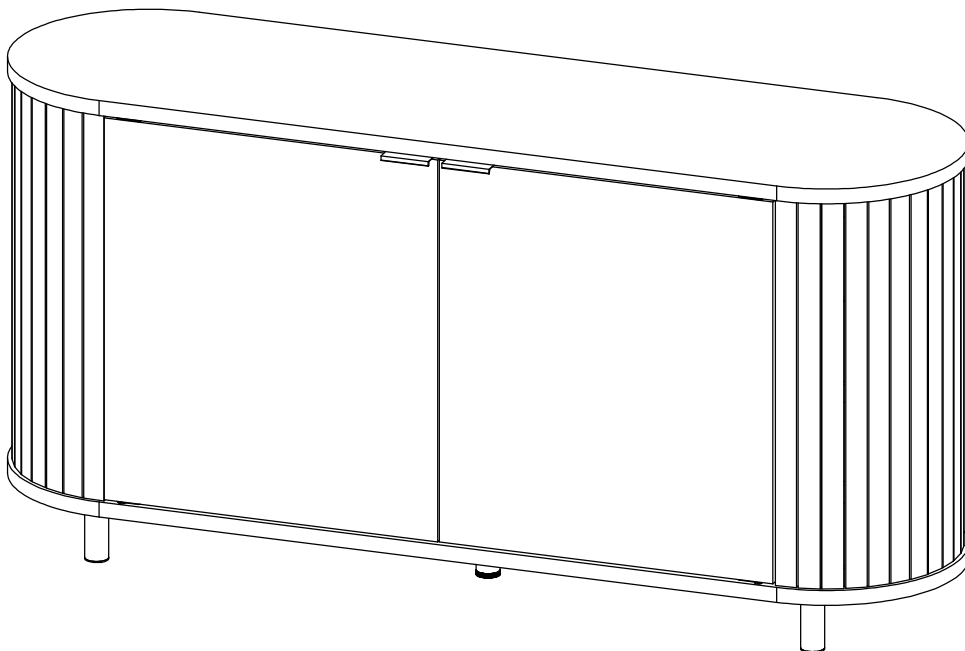
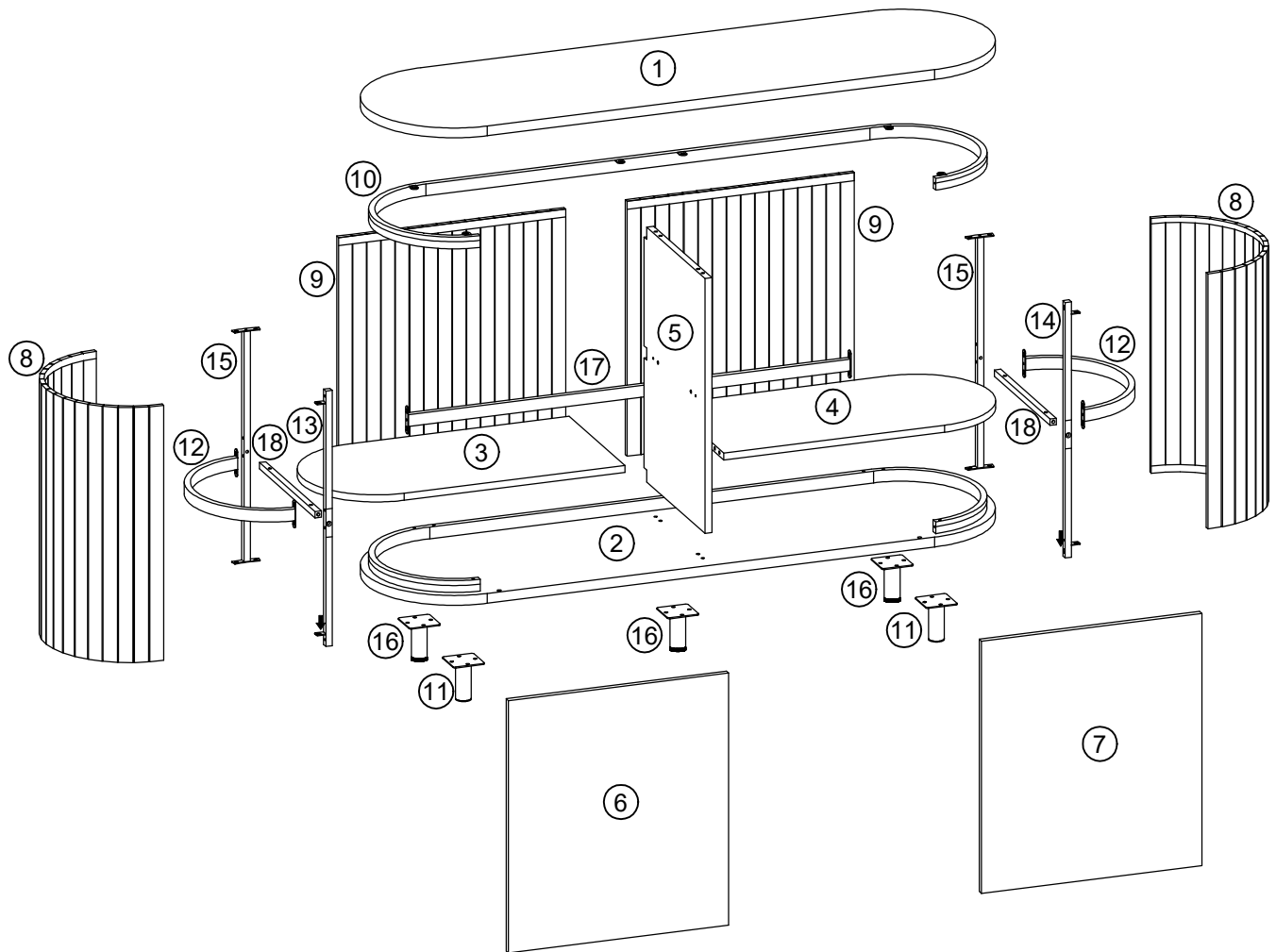


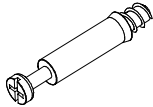

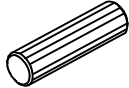
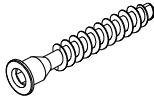
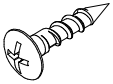

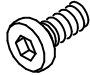

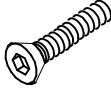

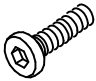
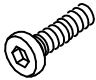



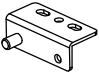
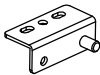
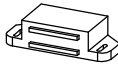

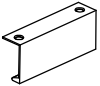


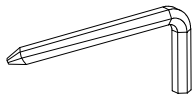

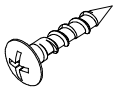
COLIMA



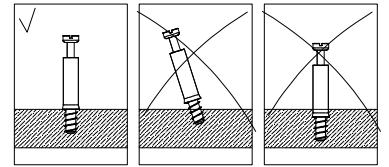
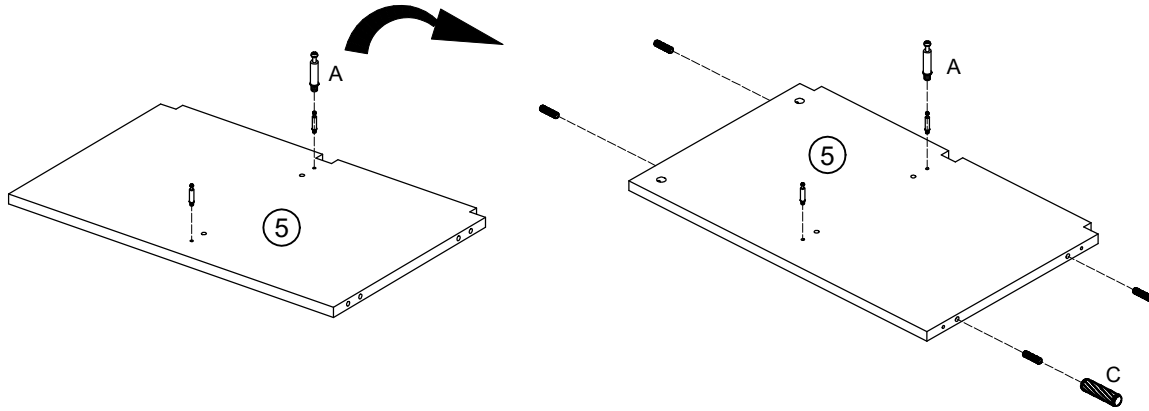
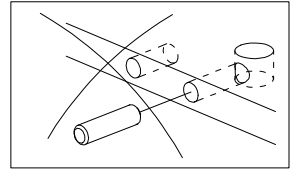
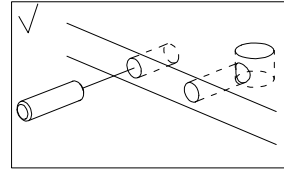
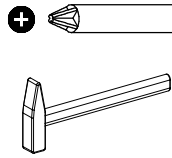
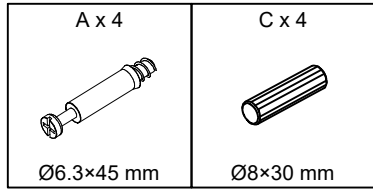
			✓
①	1	1602x450x25	
②	1	1602x450x55	
③	1	755x380x18	
④	1	755x380x18	
⑤	1	650x413x18	
⑥	1	643x575x15	
⑦	1	643x575x15	
⑧	2	647x610x12	
⑨	2	647x605x12	

⑩	1	1565x415x30	
⑪	2	80x80x99	
⑫	2	415x186x70	
⑬	1	650x40x15	
⑭	1	650x40x15	
⑮	2	590x66x15	
⑯	3	80x80x96	
⑰	1	1162x70x15	
⑱	2	383x15x15	

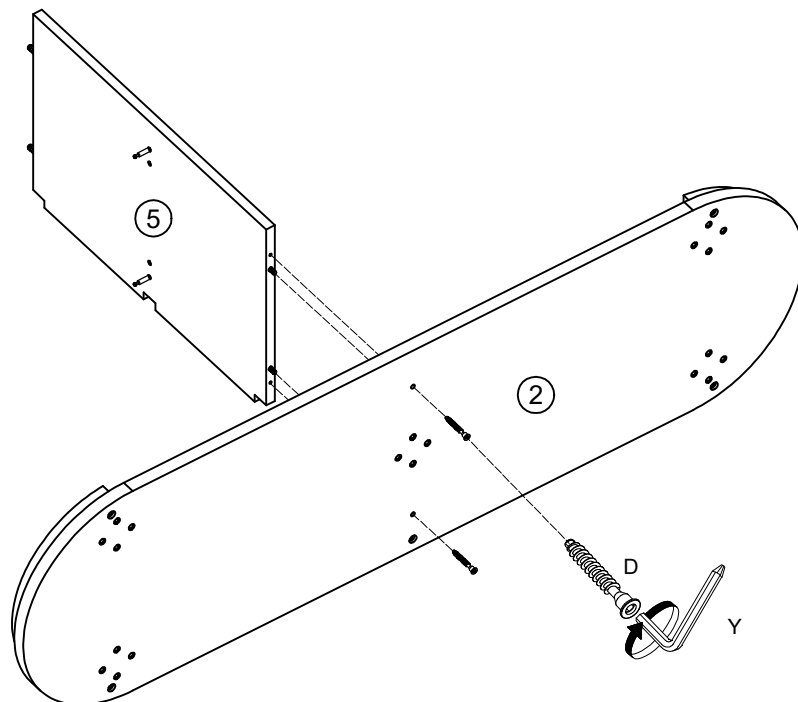
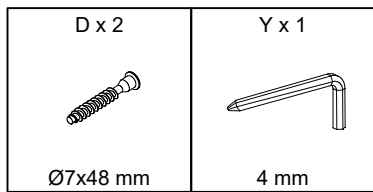


<p>A x 6</p>  <p>Ø6.3×45 mm</p>	<p>B x 6</p>  <p>Ø15×12 mm</p>	<p>C x 8</p>  <p>Ø8×30 mm</p>	<p>D x 2</p>  <p>Ø7×48 mm</p>	<p>E x 12</p>  <p>Ø3.5×12 mm</p>
<p>F x 6</p>  <p>Ø3×14mm</p>	<p>G x 38</p>  <p>M6×12 mm</p>	<p>H x 12</p>  <p>M6×8 mm</p>	<p>J x 4</p>  <p>M6×30 mm</p>	<p>K x 4</p>  <p>Ø3.5x14mm</p>
<p>L x 4</p>  <p>M6×28 mm</p>	<p>M x 2</p>  <p>M6×20 mm</p>	<p>N x 4</p>  <p>M5×20 mm</p>	<p>P x 2</p>  <p>Ø16×10 mm</p>	<p>Q x 4</p>  <p>Ø12×9 mm</p>
<p>R x 2</p>  <p>40×27×15 mm</p>	<p>S x 2</p>  <p>40×27×15 mm</p>	<p>T x 2</p>  <p>57×26×15 mm</p>	<p>U x 2</p>  <p>52×12×1.5 mm</p>	<p>V x 2</p>  <p>100×32×18 mm</p>
<p>W x 4</p>  <p>Ø5/Ø18 mm</p>	<p>X x 1</p>  <p>3mm</p>	<p>Y x 1</p>  <p>4 mm</p>	<p>Z x 2</p>  <p>150 mm</p>	<p>AA x 2</p>  <p>Ø4x16 mm</p>

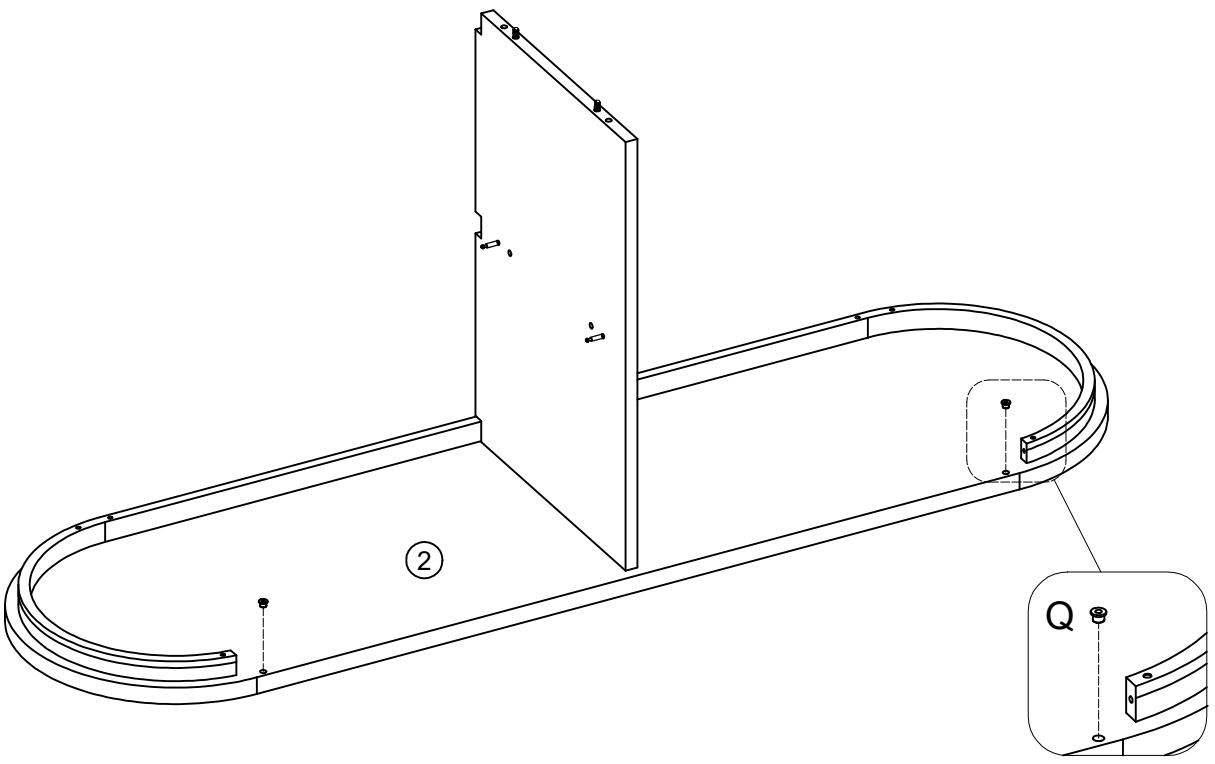
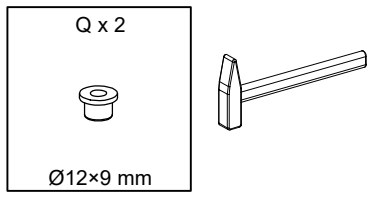
1



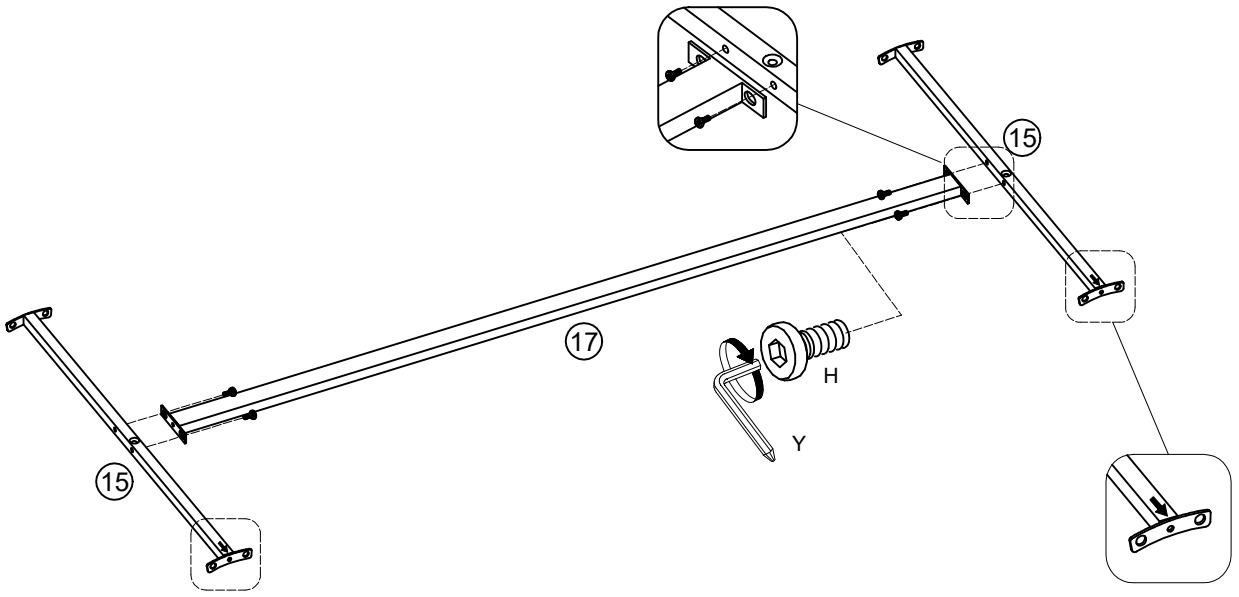
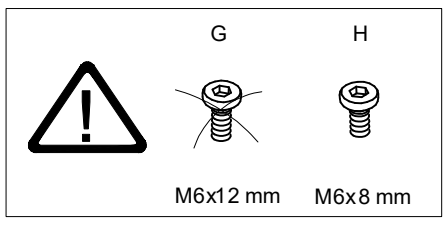
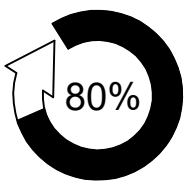
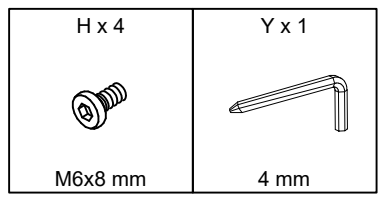
2



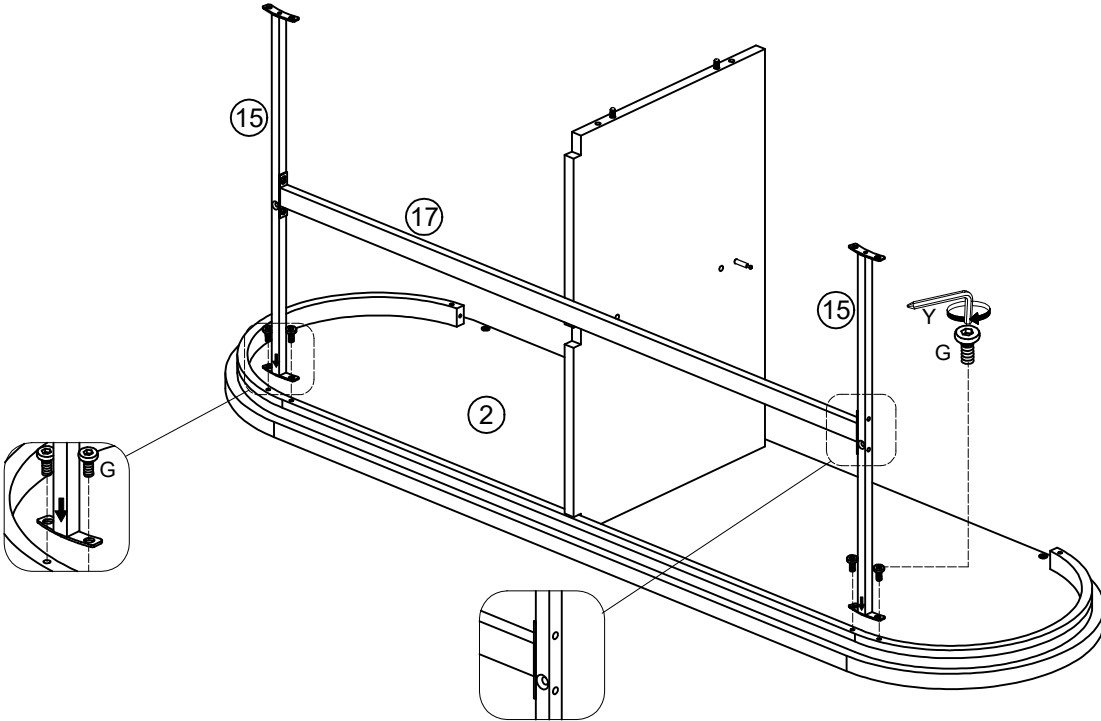
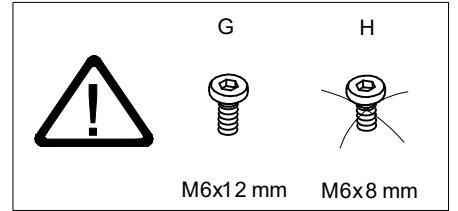
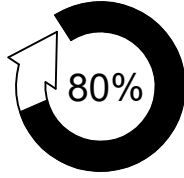
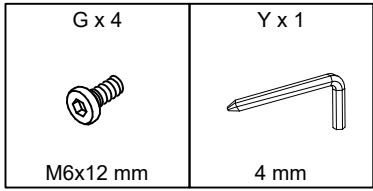
3



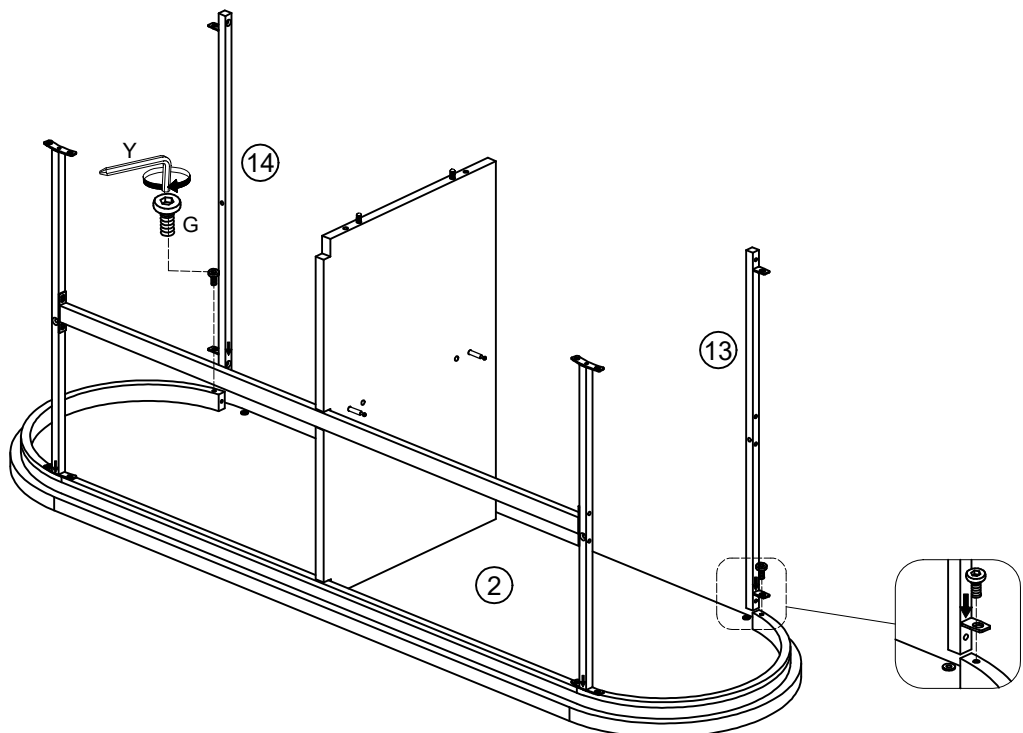
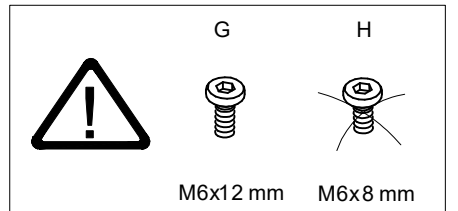
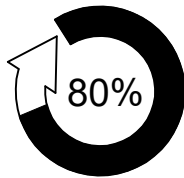
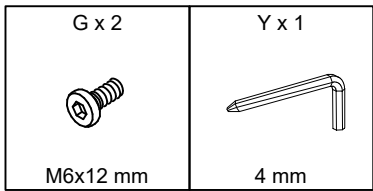
4





5

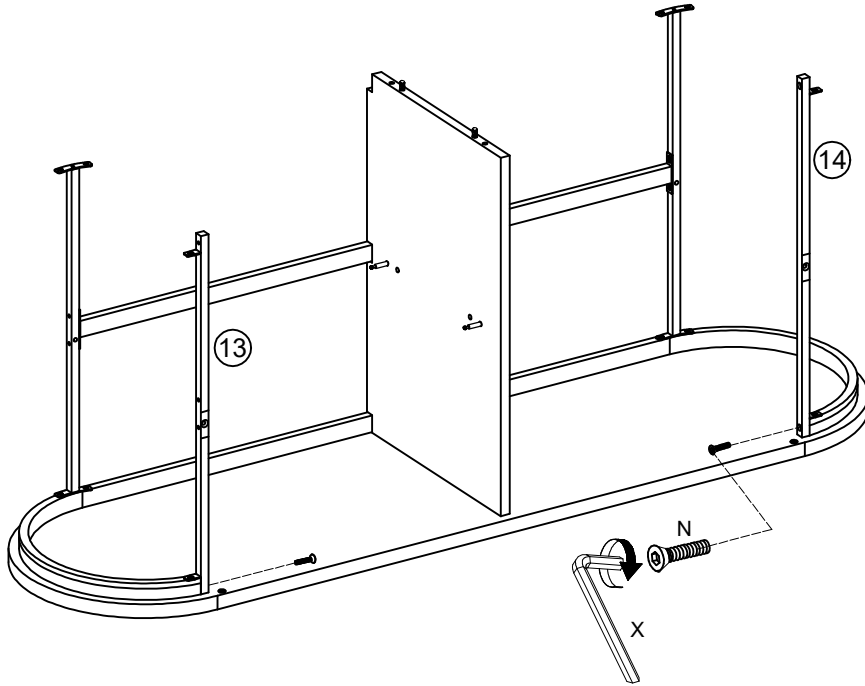
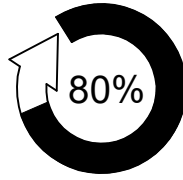


6





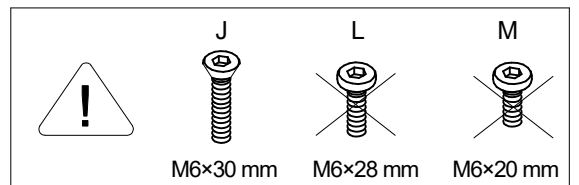
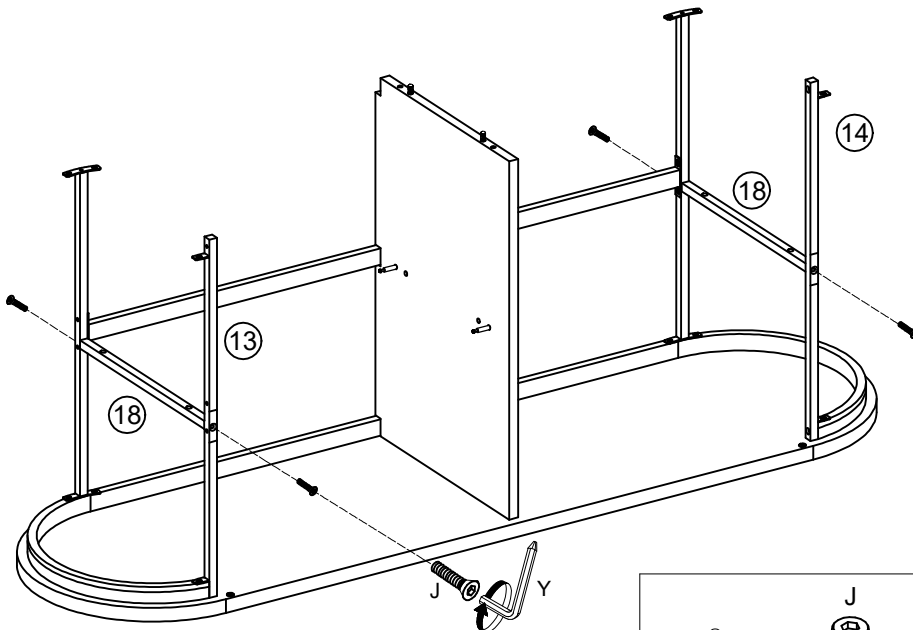
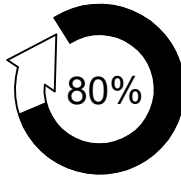
7

N x 2	X x 1
	
M5x20 mm	3 mm

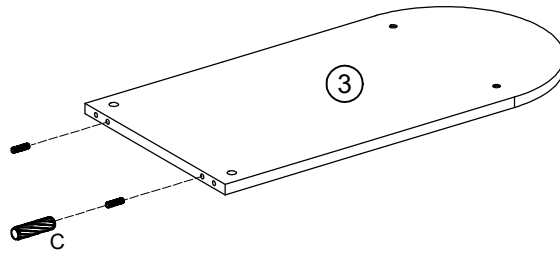
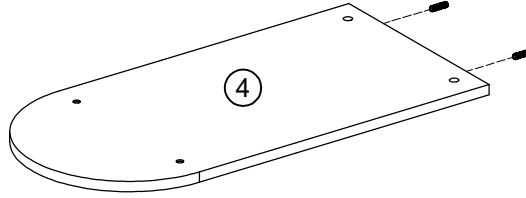
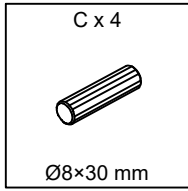


8

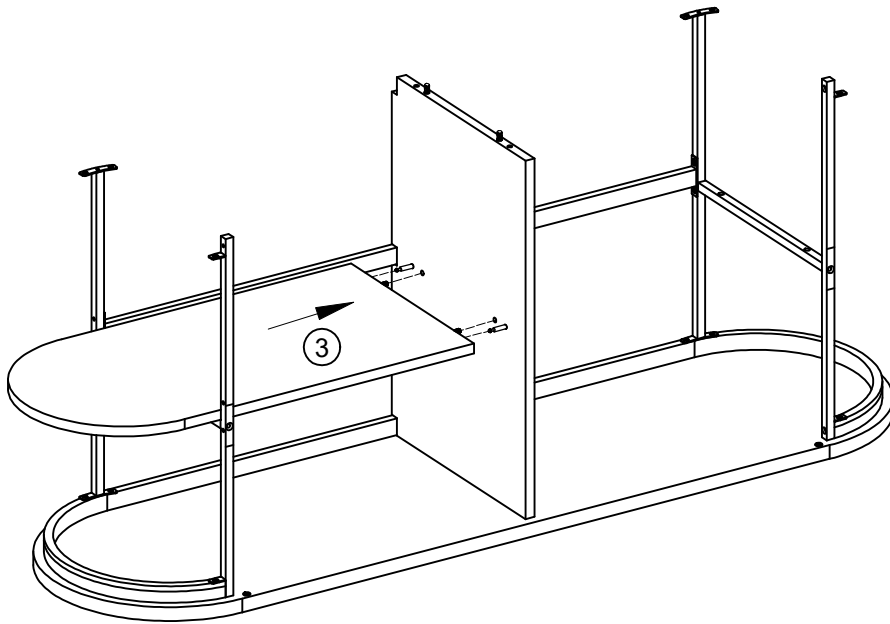
J x 4	Y x 1
	
M6x30 mm	4 mm





9

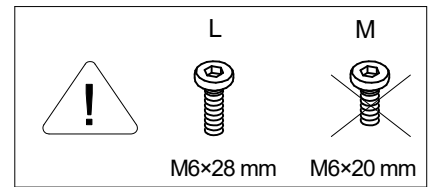
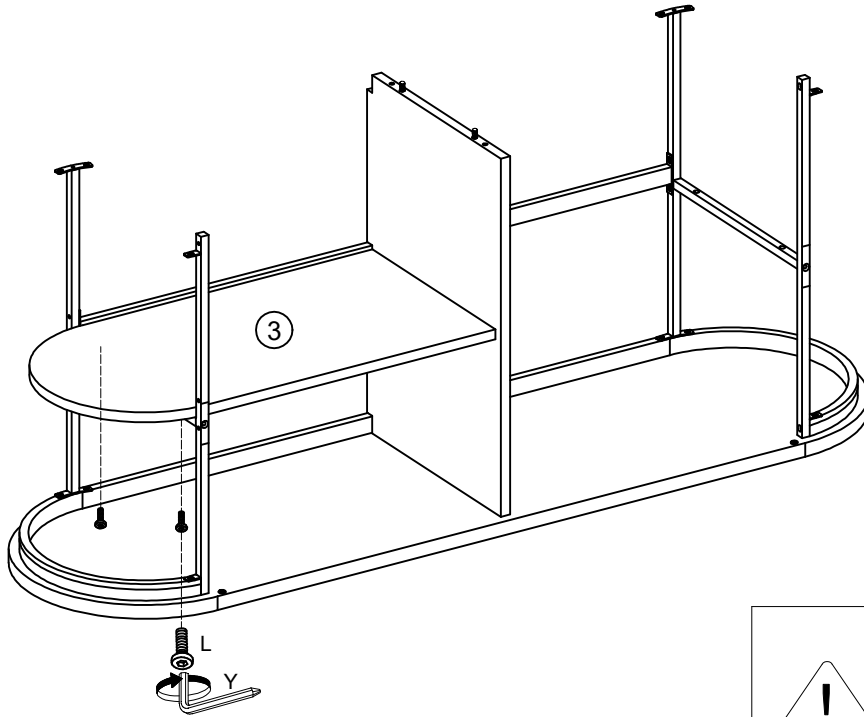


10




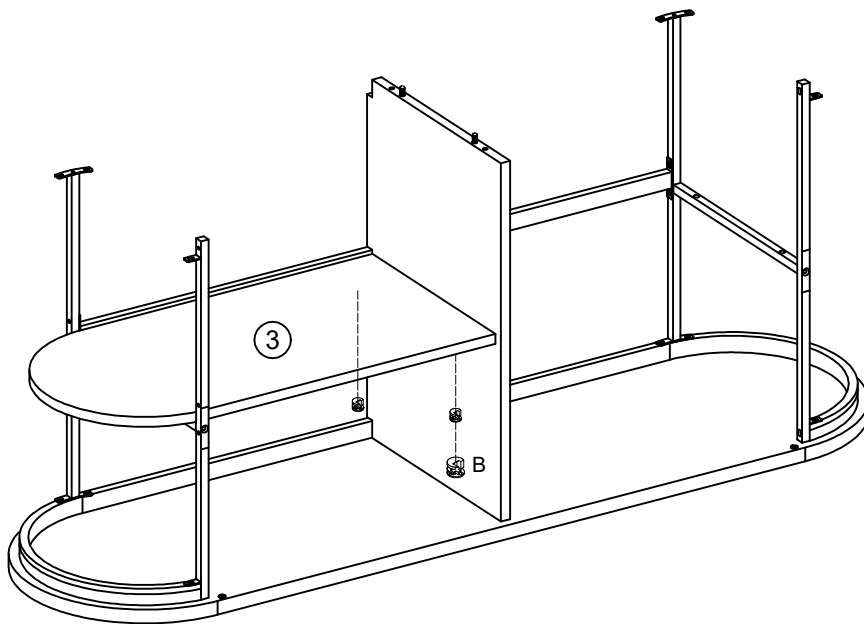
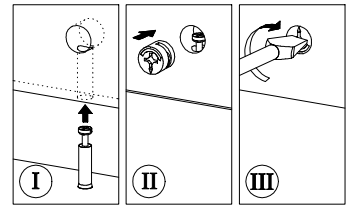
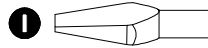
11

L x 2	Y x 1
	
M6x28 mm	4 mm

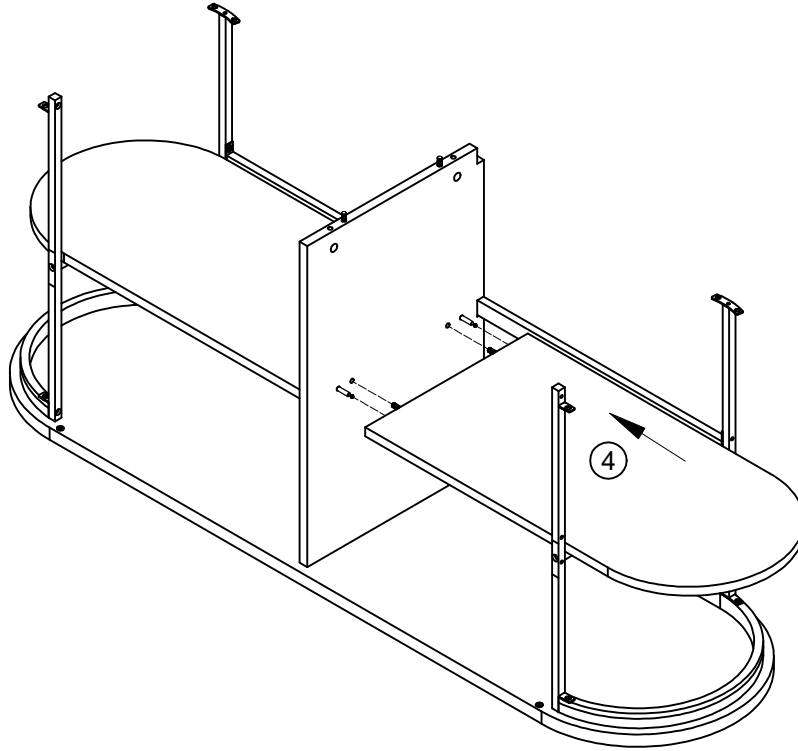


12

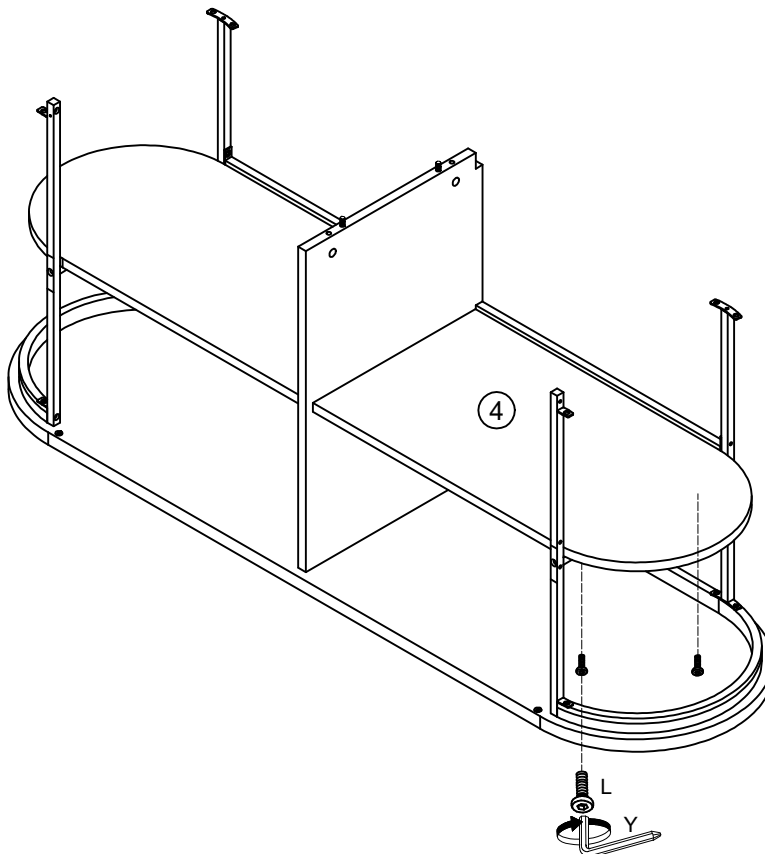
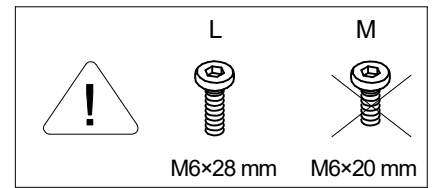
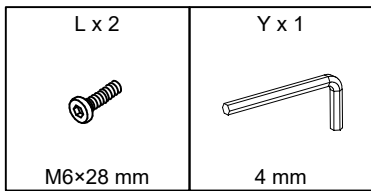
B x 2

Ø15x12 mm



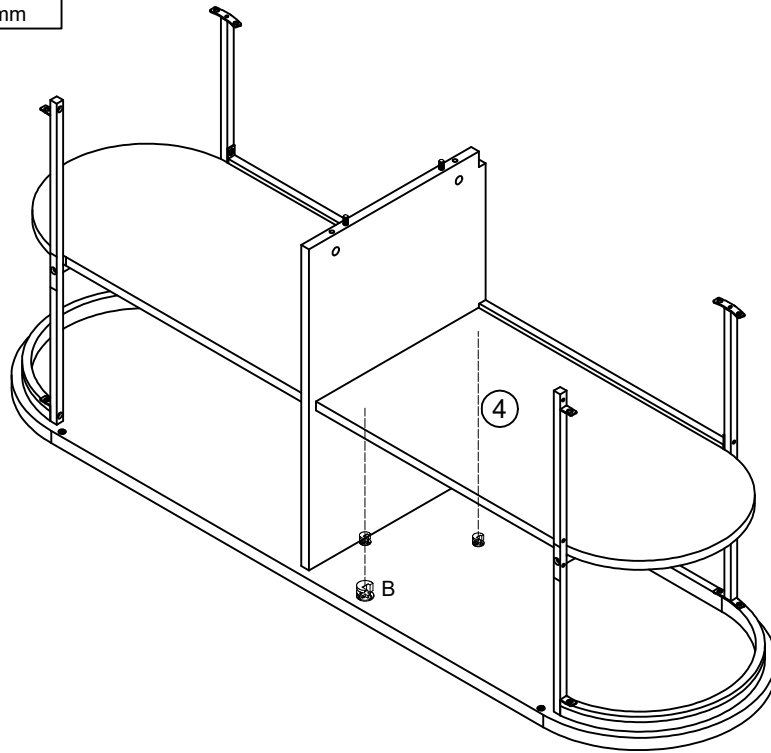
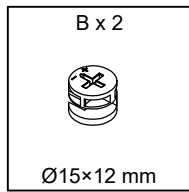
13



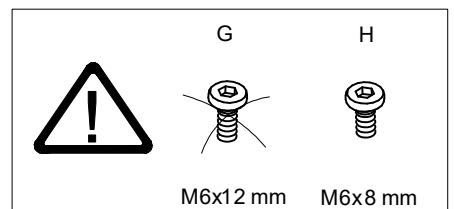
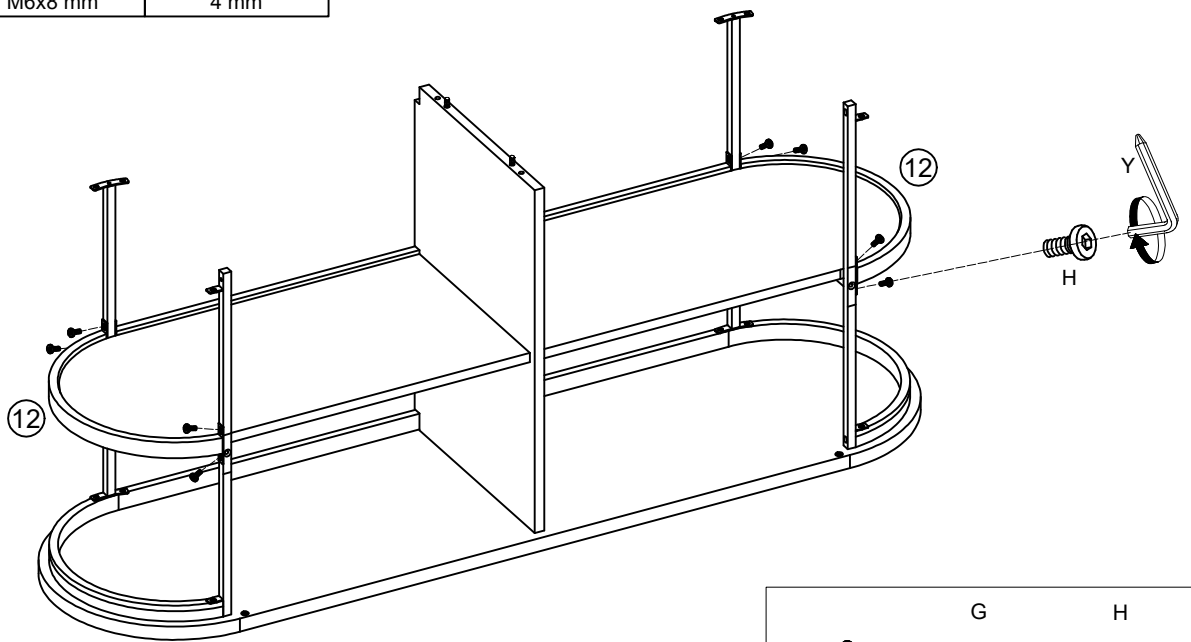
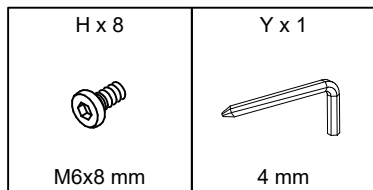
14





15

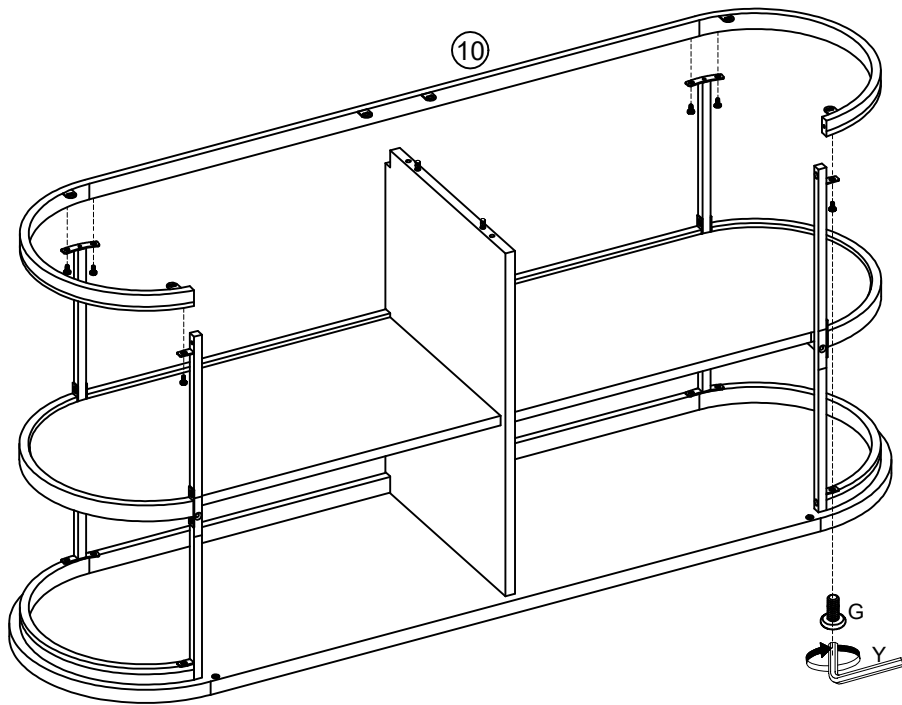
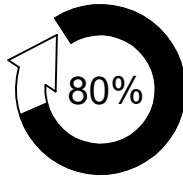


16





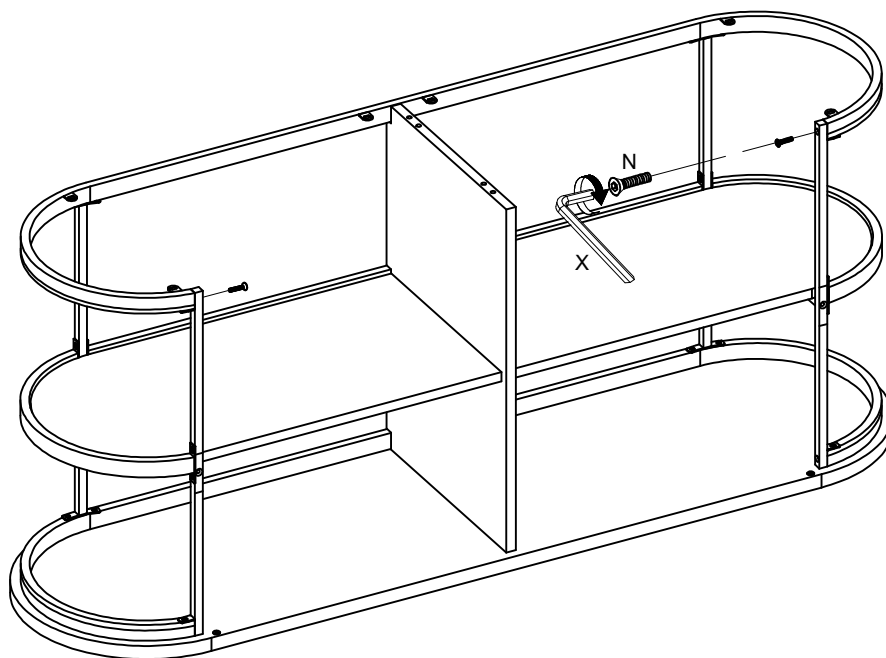
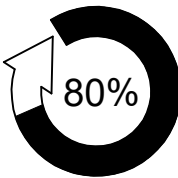
17

G x 6	Y x 1
	
M6x12 mm	4 mm

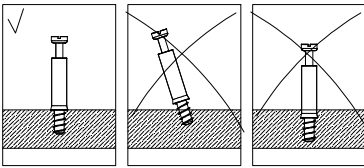
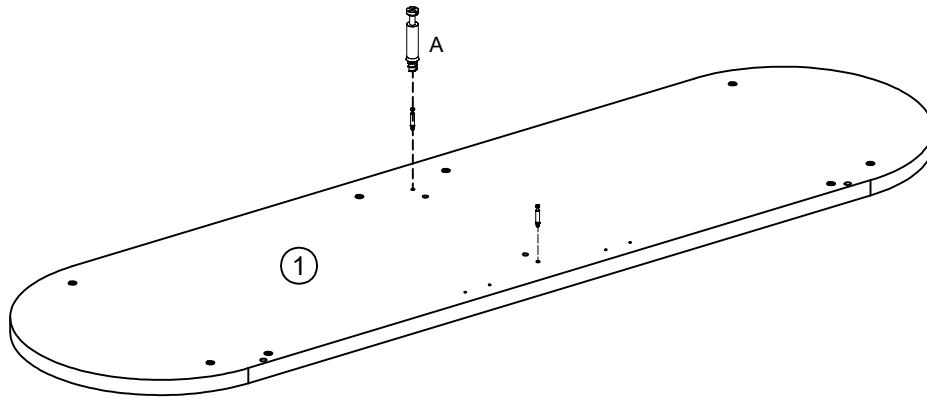
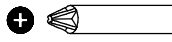
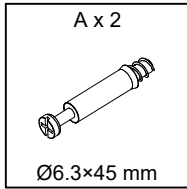


18

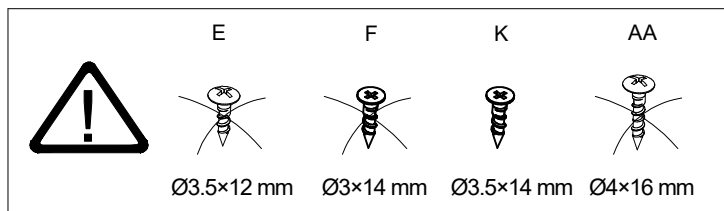
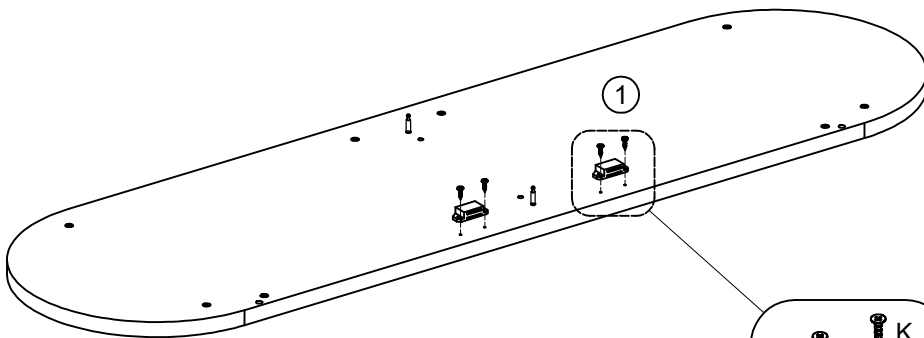
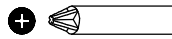
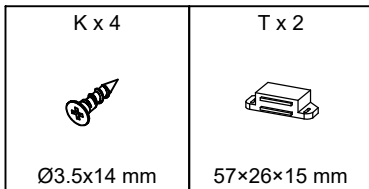
N x 2	X x 1
	
M5x20 mm	3 mm



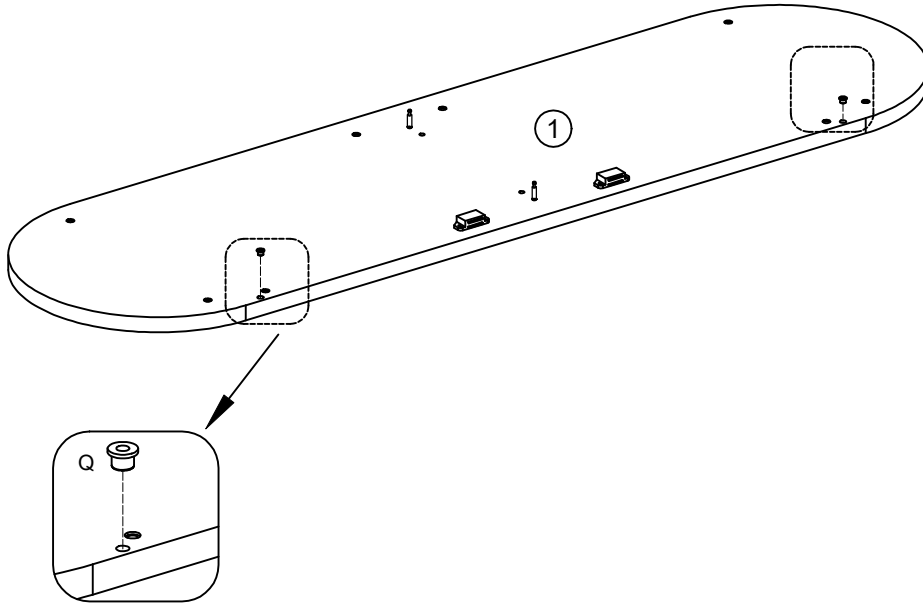
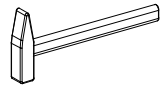
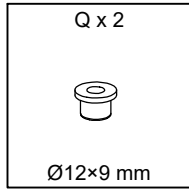
19



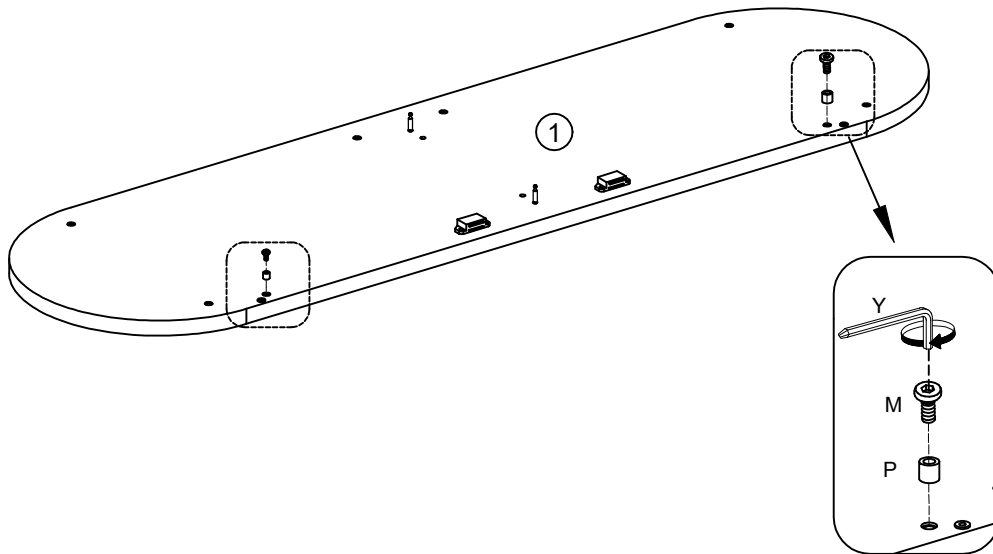
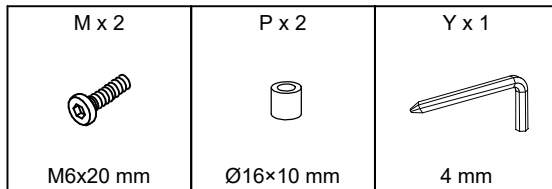
20



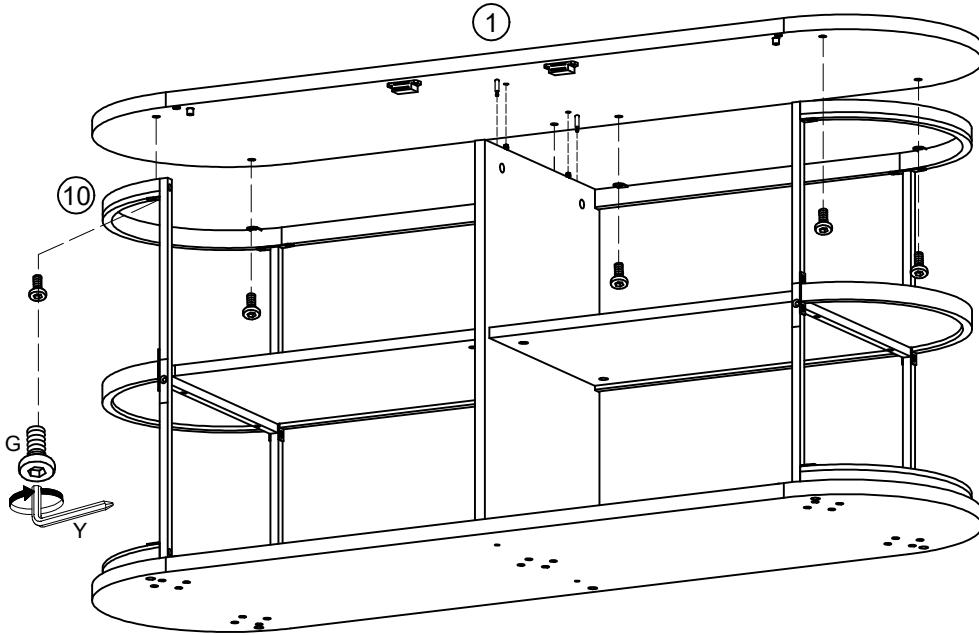
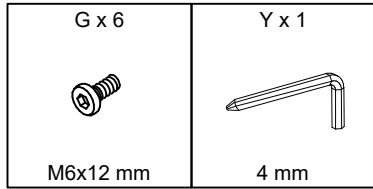
21



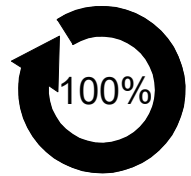
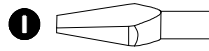
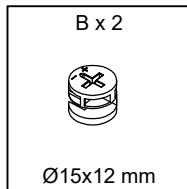
22



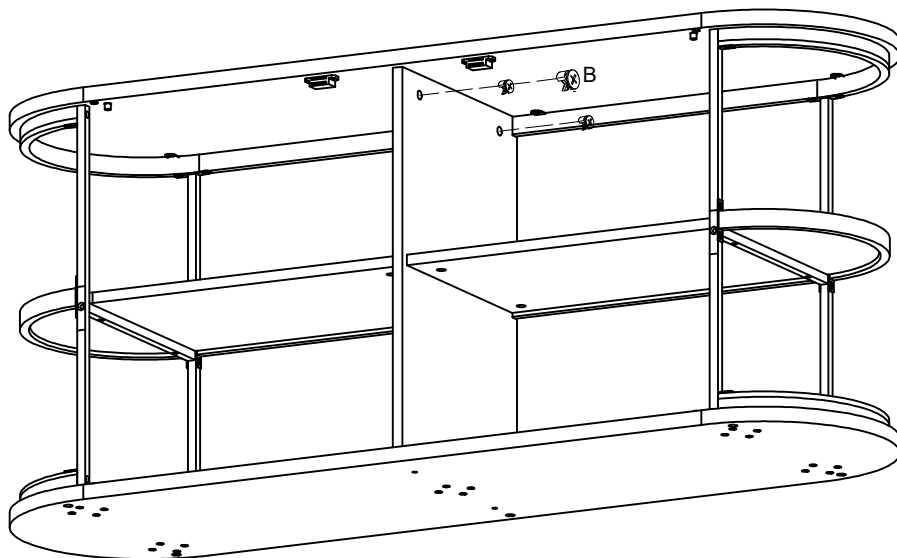
23



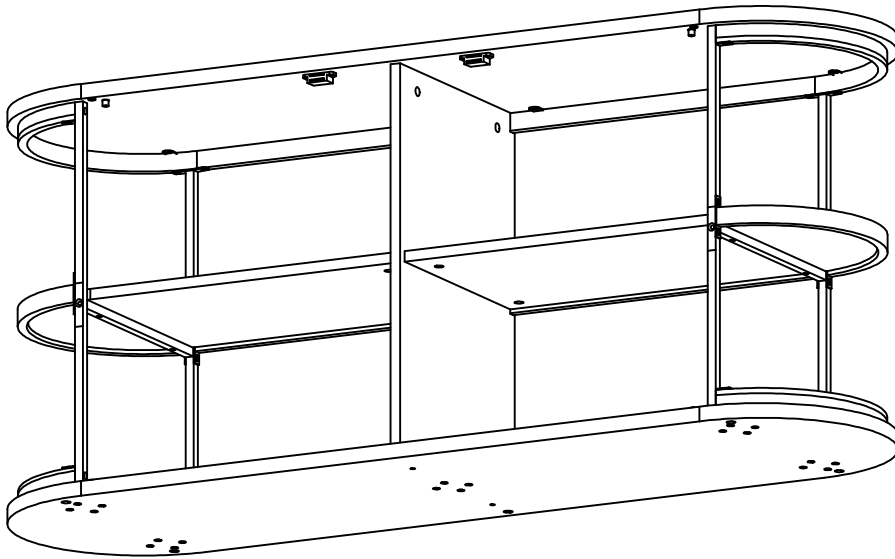
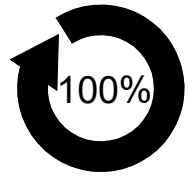
24



N x 4

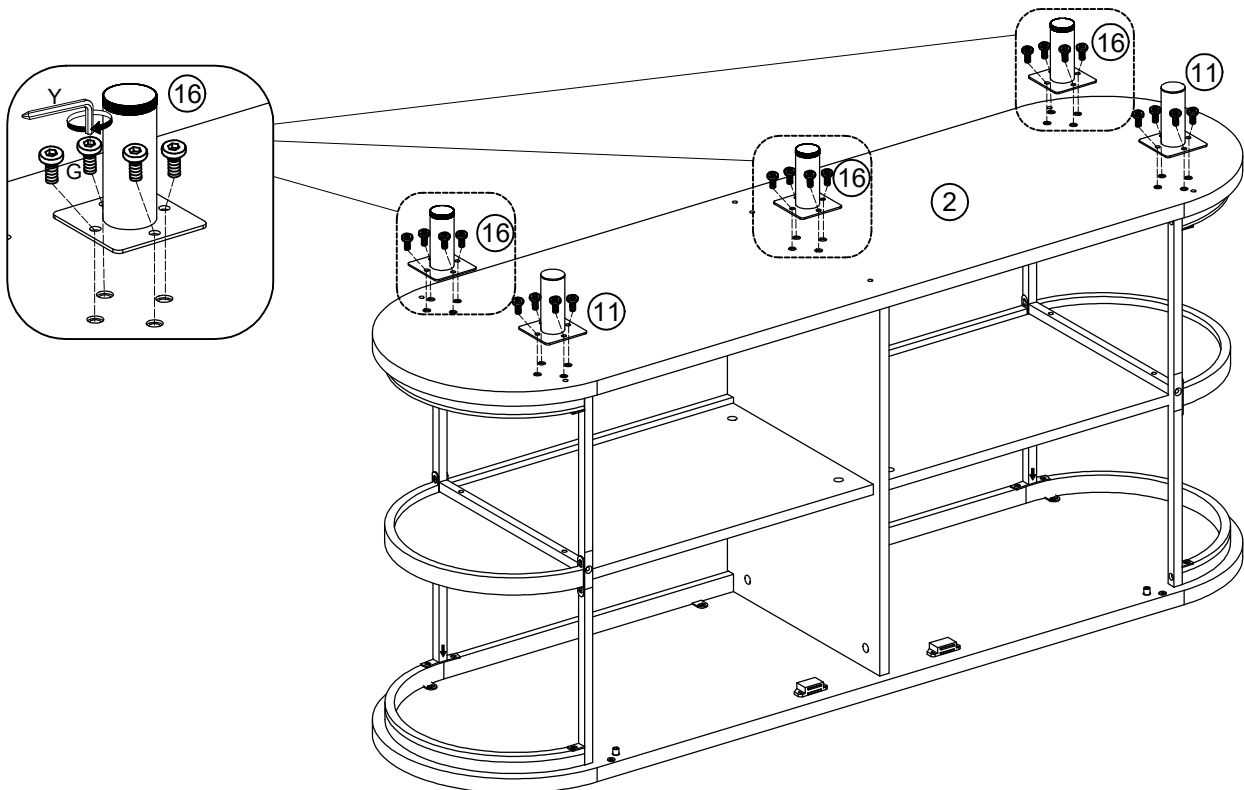
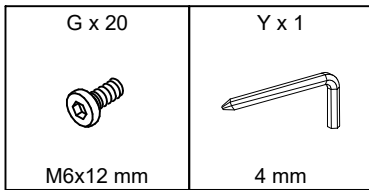


25




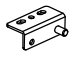



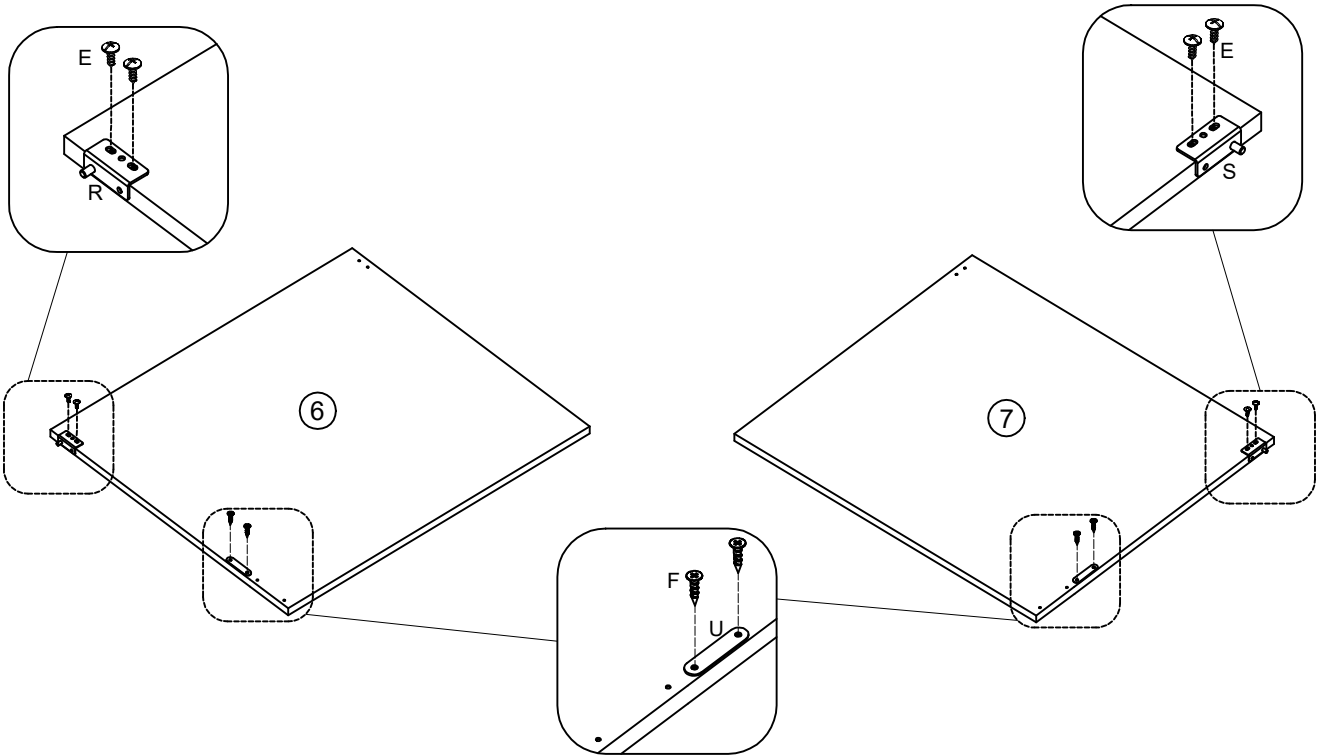
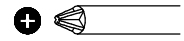
G x 12
H x 4
J x 4

26





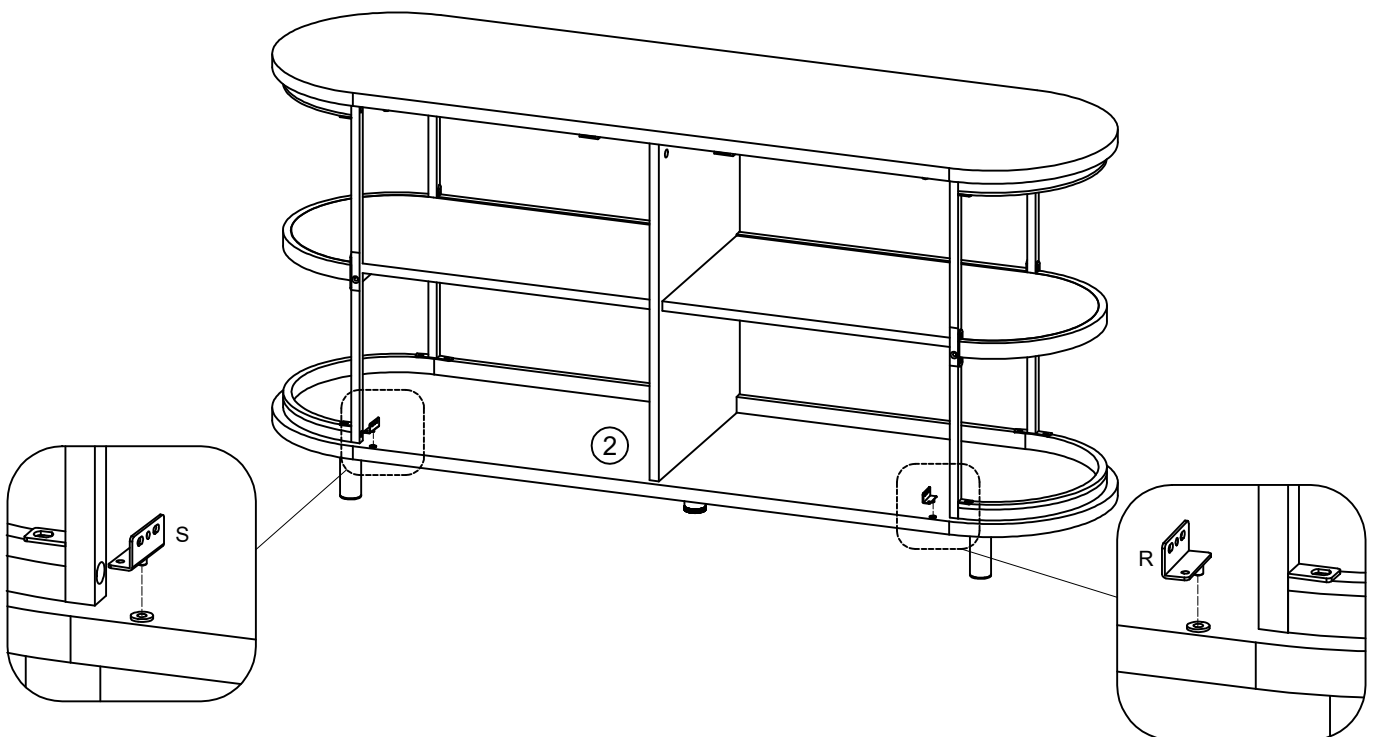
27

E x 4  Ø3.5x12 mm	F x 4  Ø3x14mm	R x 1  40x27x15 mm	S x 1  40x27x15 mm	U x 2  52x12x1.5 mm
--	---	---	---	--

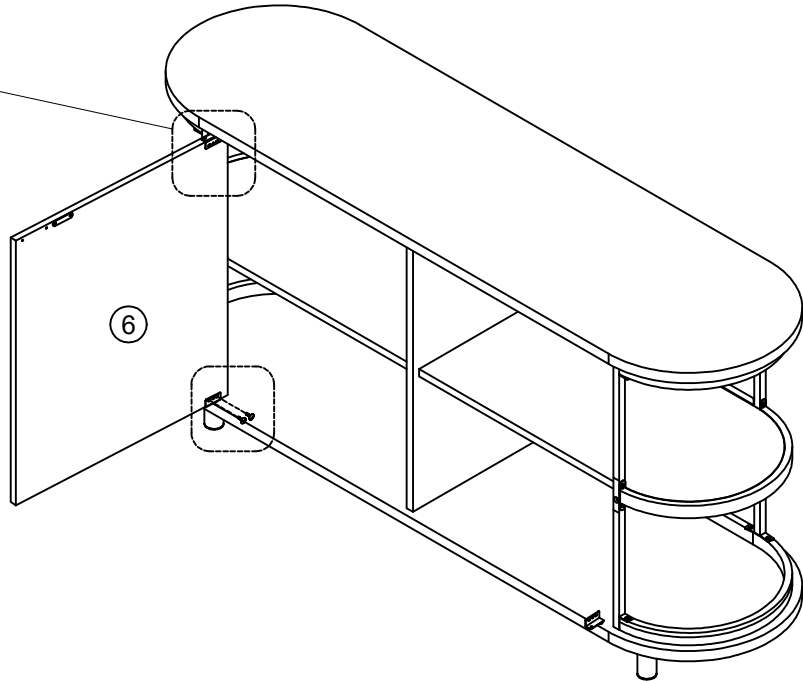
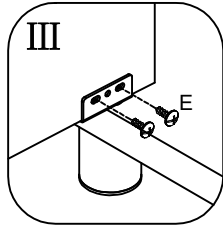
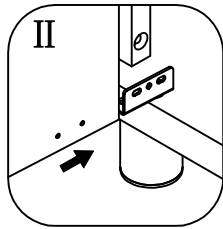
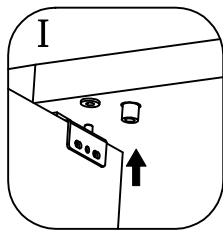
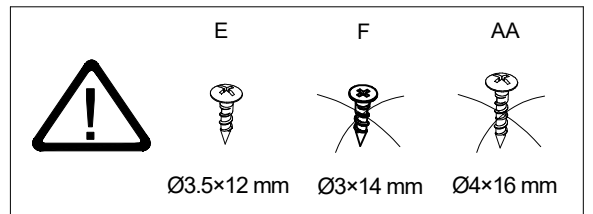
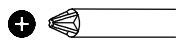
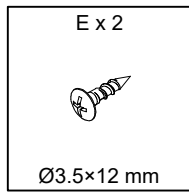


28

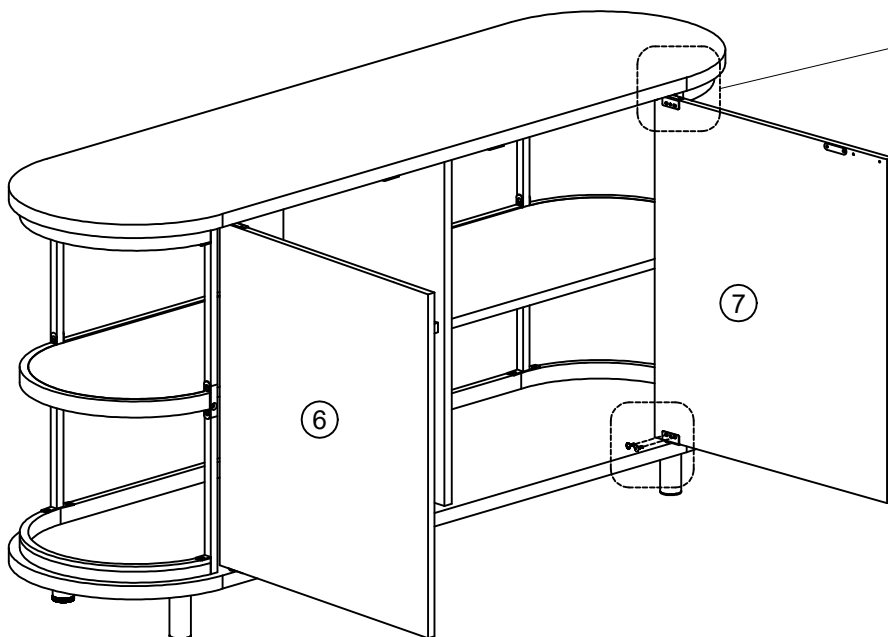
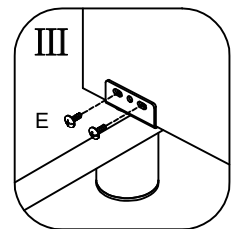
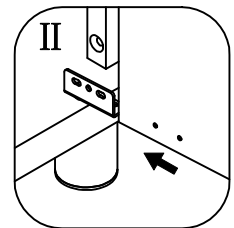
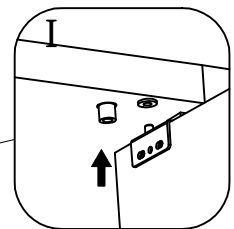
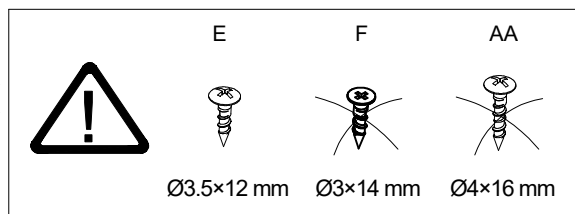
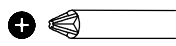
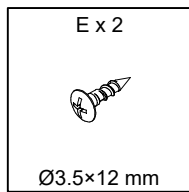
R x 1  40x27x15 mm	S x 1  40x27x15 mm
---	---



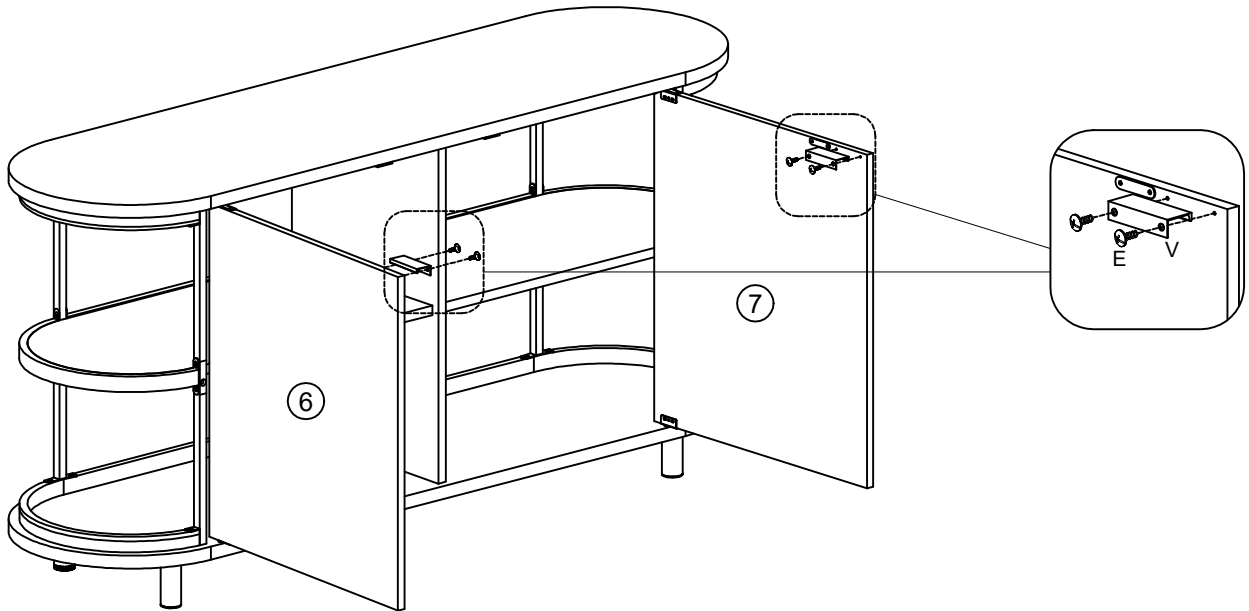
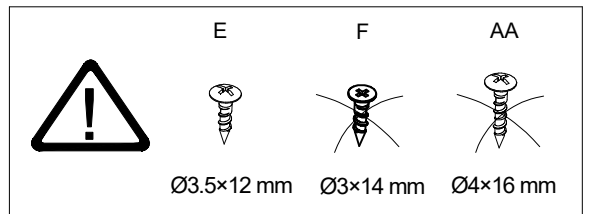
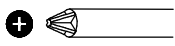
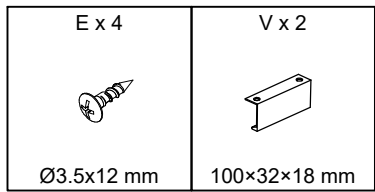
29



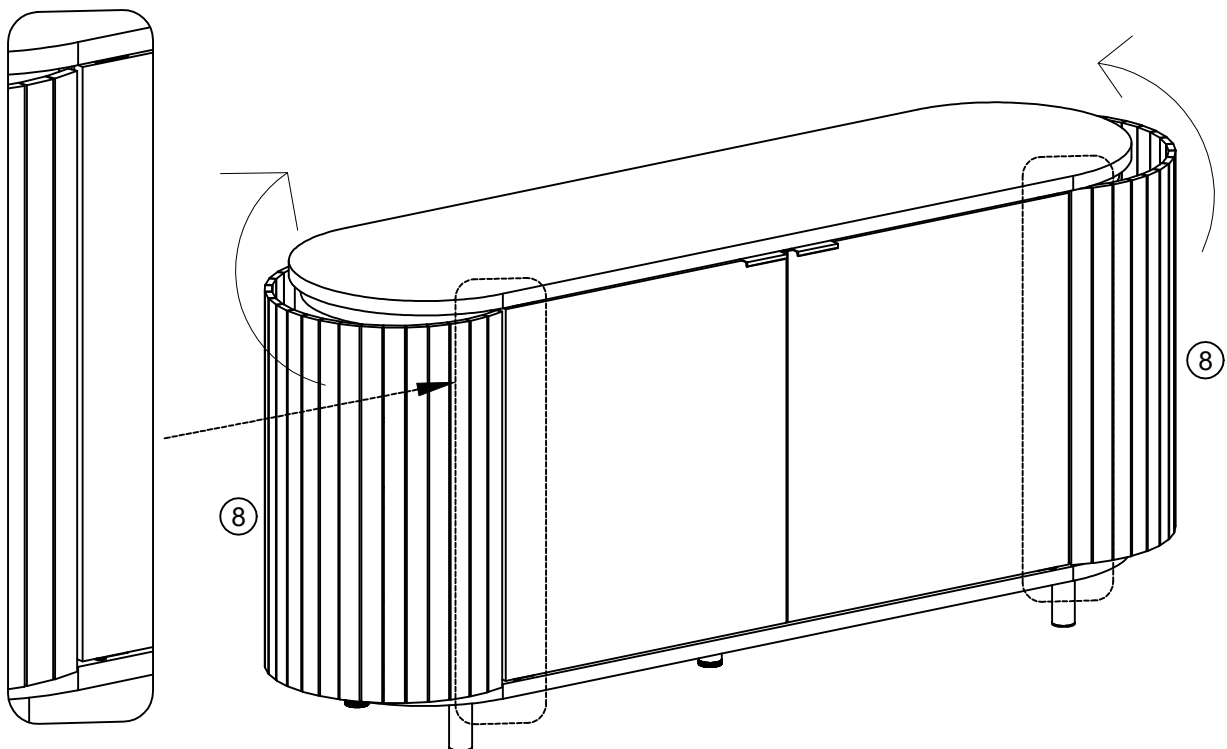
30



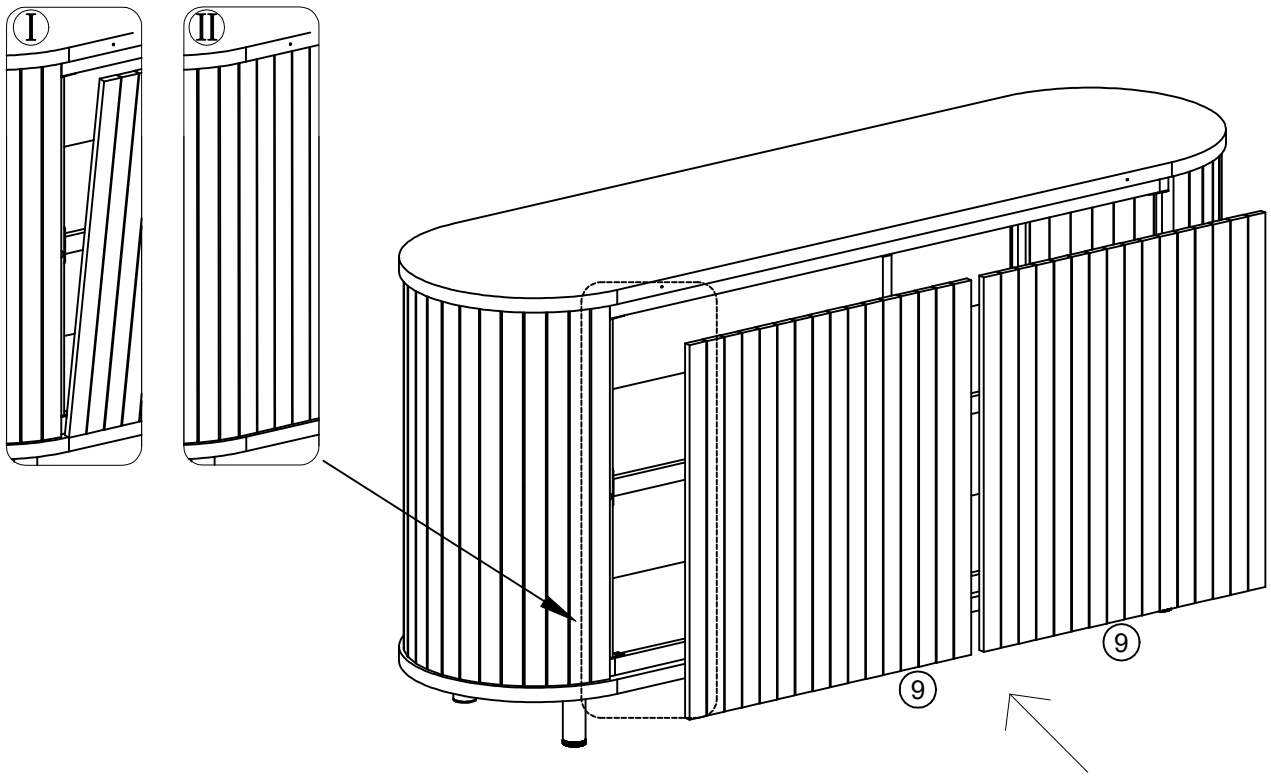
31






32

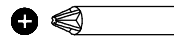





33

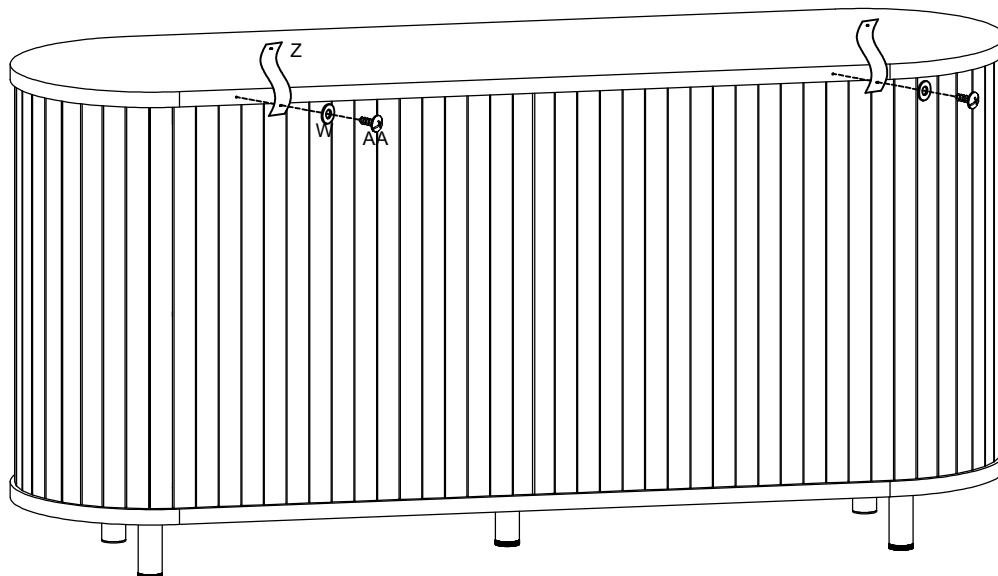


34

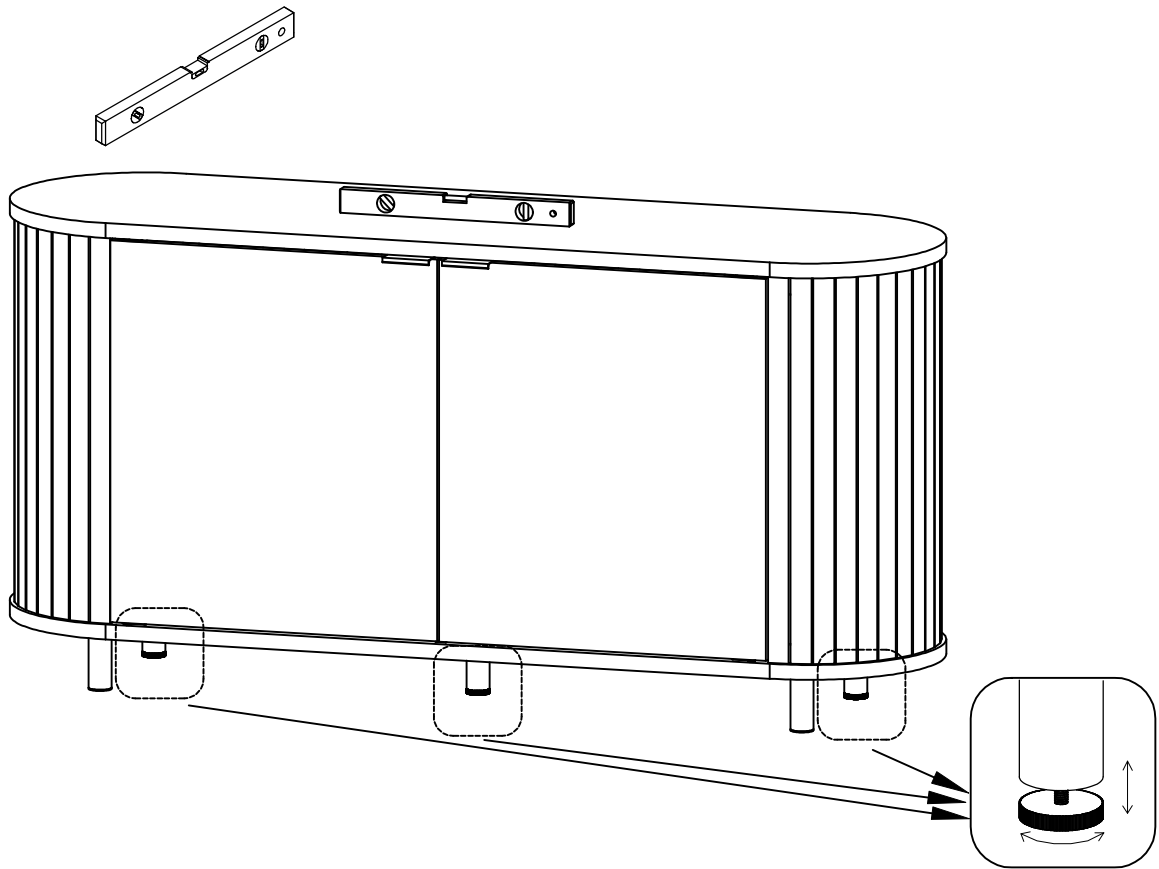
AA x 2	W x 2	Z x 2
		
Ø4x16 mm	Ø5/Ø18mm	150 mm



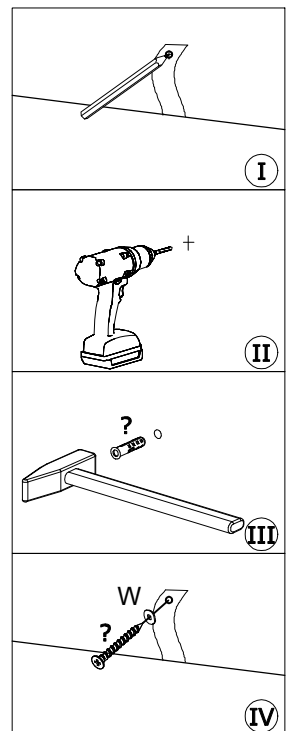
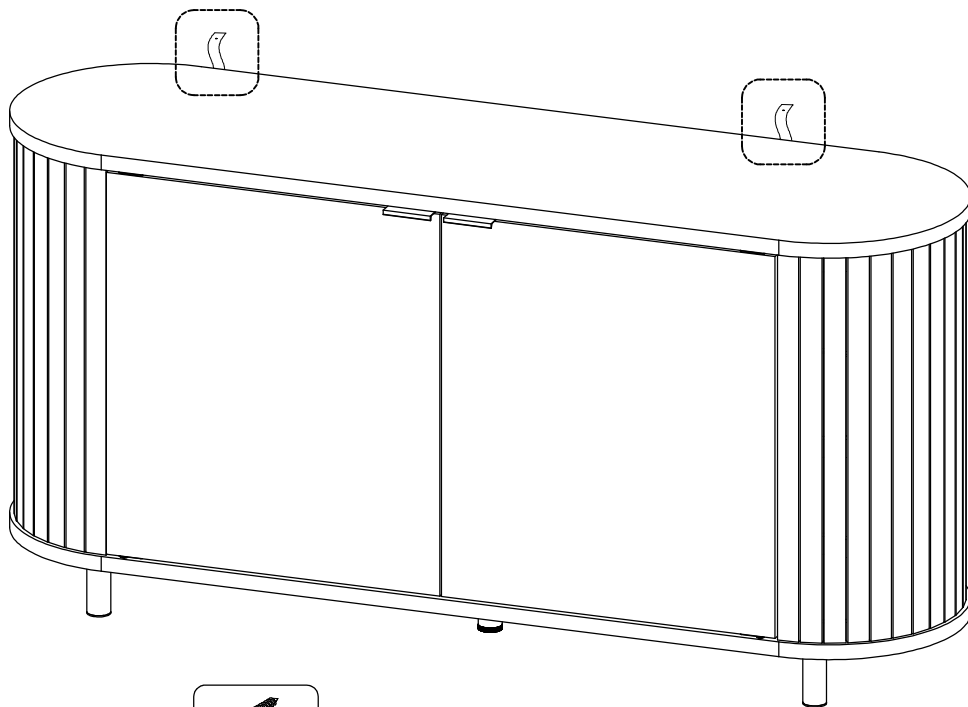
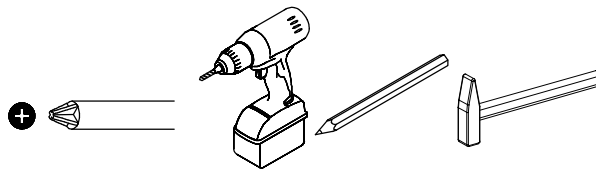
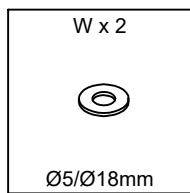
	F	AA
		
	Ø3x14 mm	Ø4x16 mm



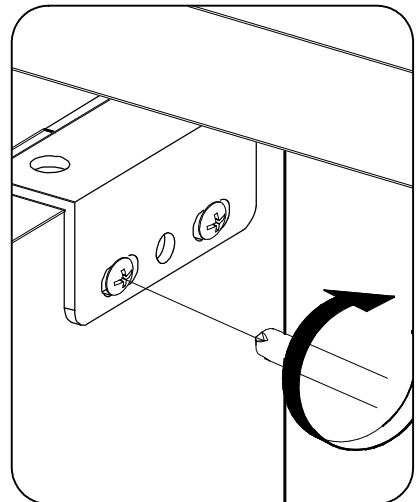
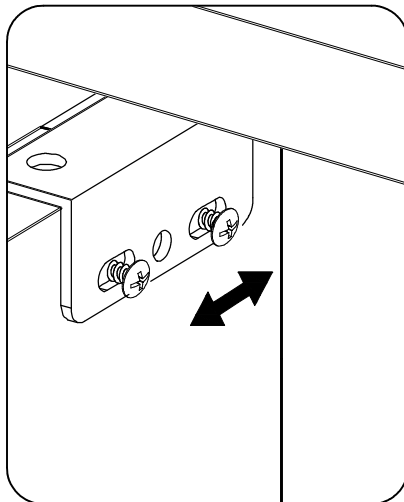
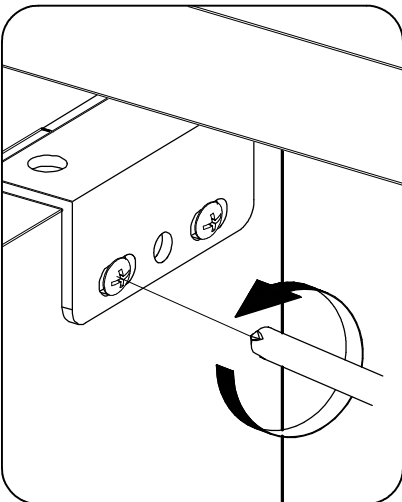
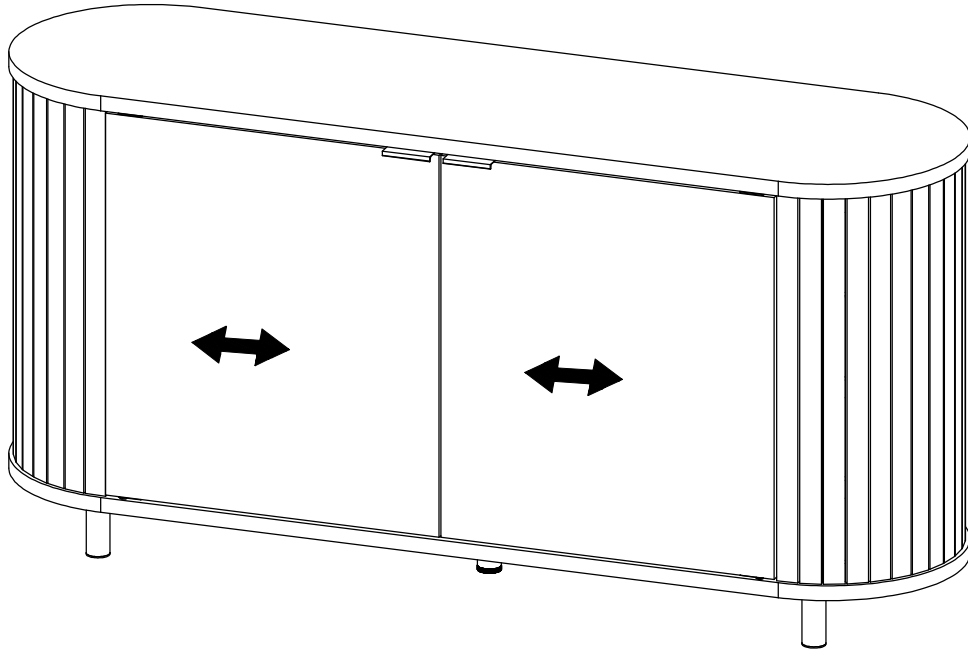
35



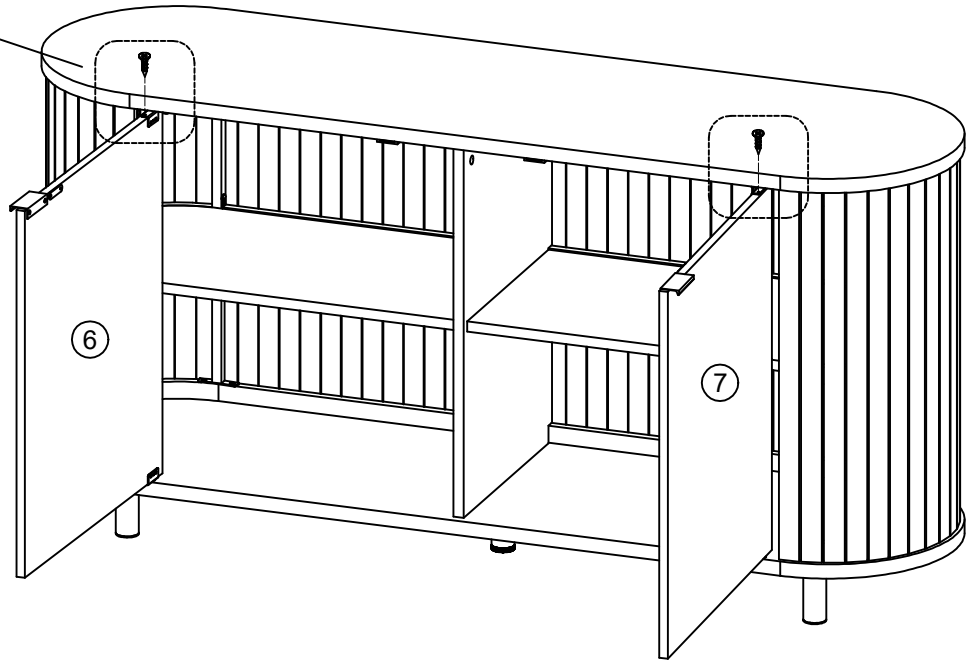
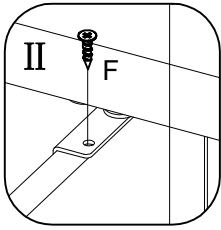
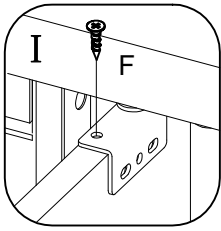
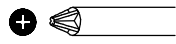
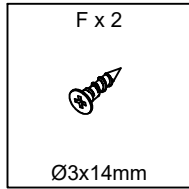
36



37



38



39

