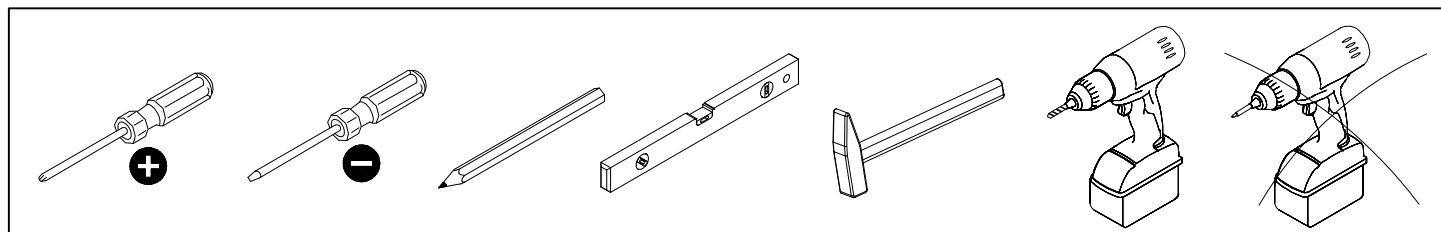
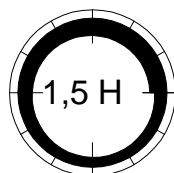
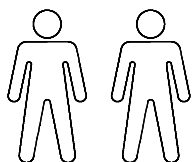
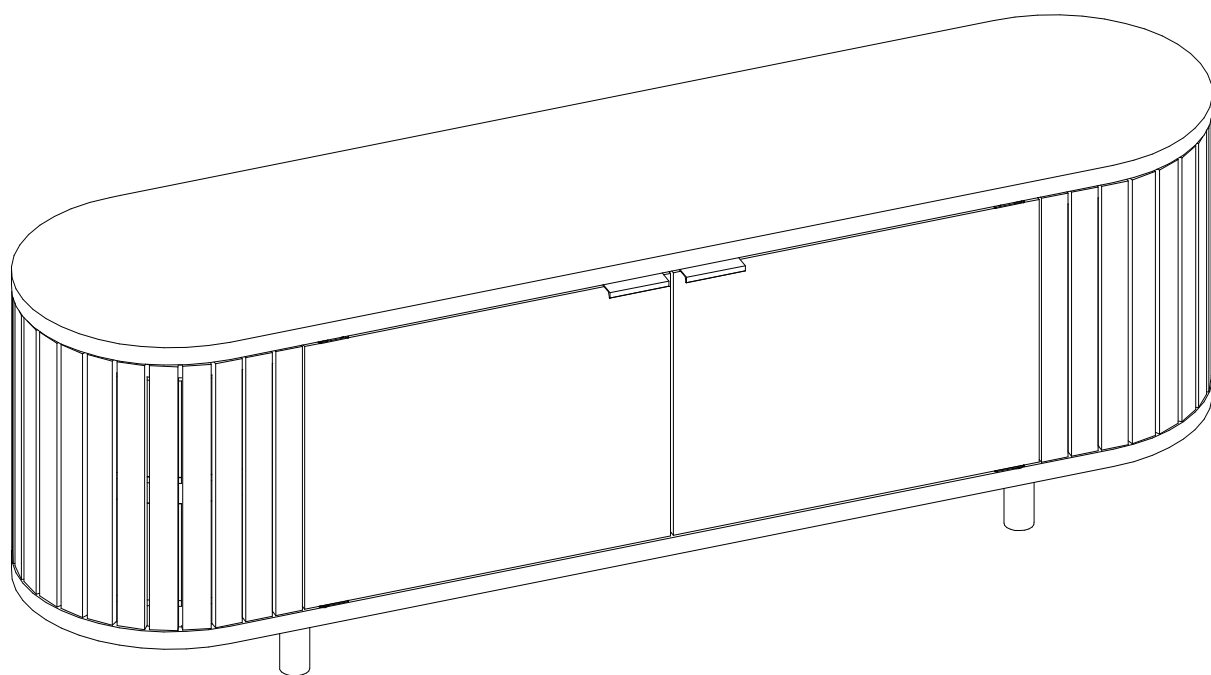
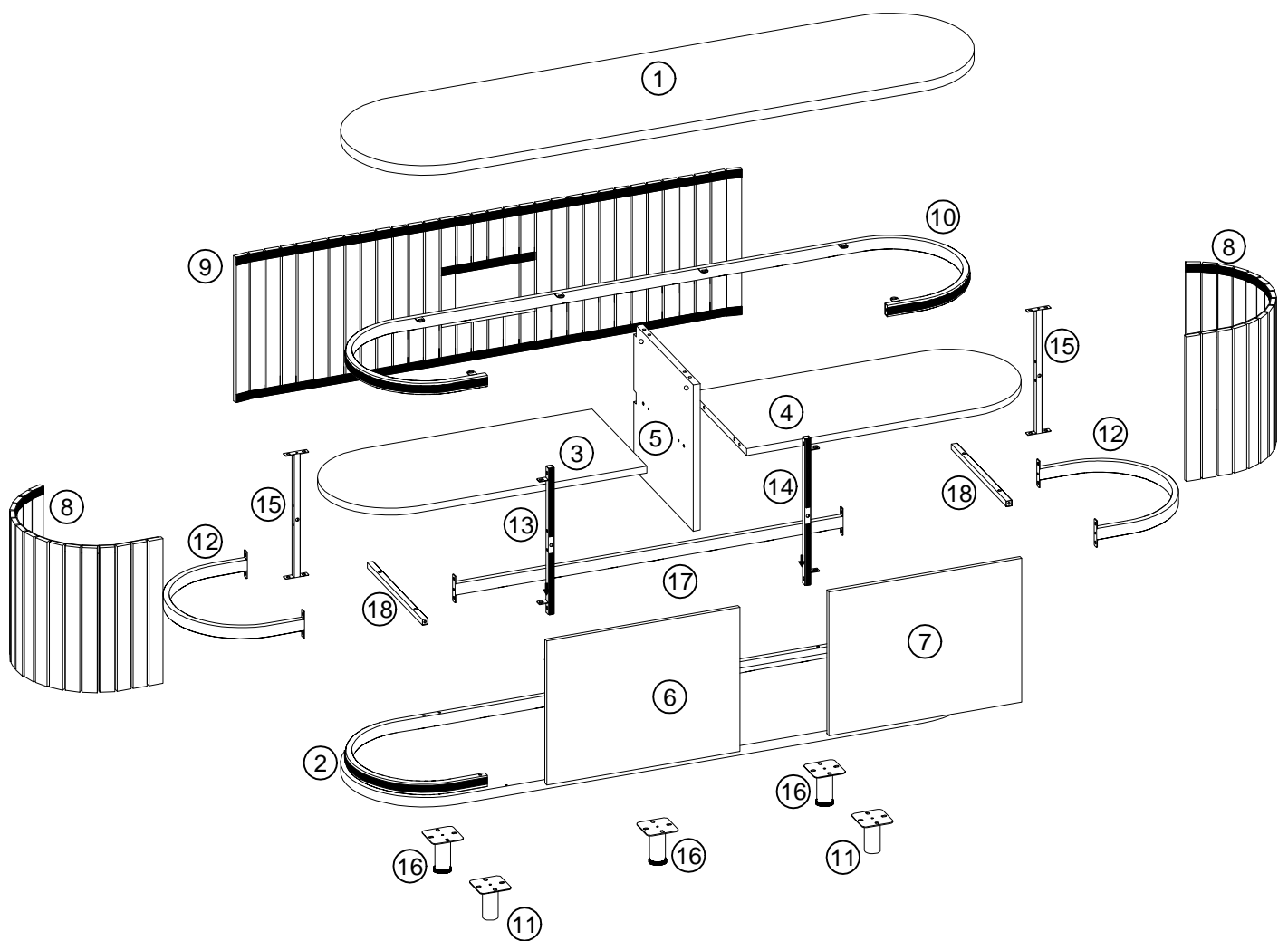


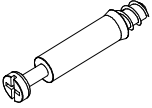

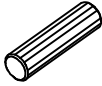
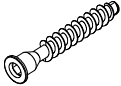
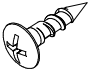

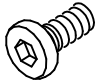
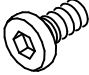
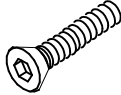

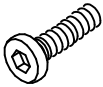
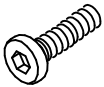



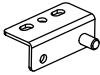

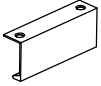


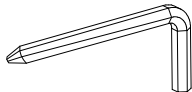

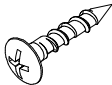
COLIMA



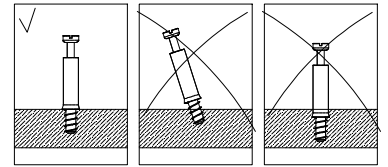
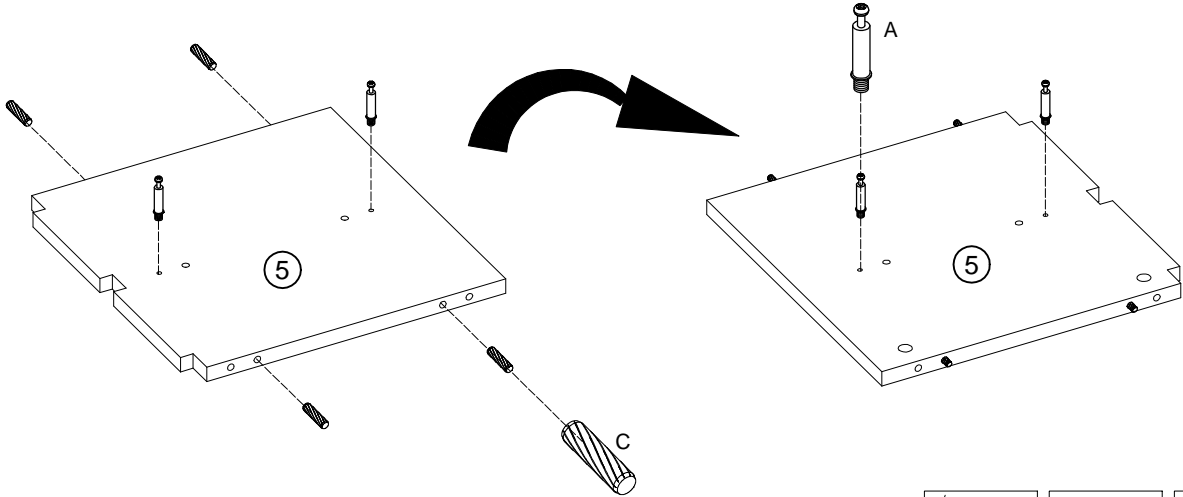
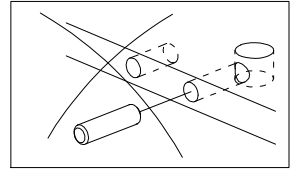
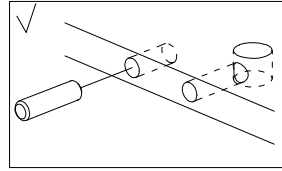
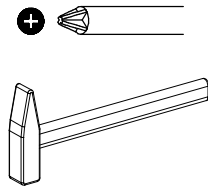
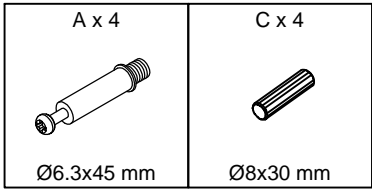
			✓
①	1	1600x400x25	
②	1	1600x400x55	
③	1	755x328x18	
④	1	755x328x18	
⑤	1	364x350x18	
⑥	1	495x343x15	
⑦	1	495x343x15	
⑧	2	638x348x12	
⑨	1	1293x348x12	

			✓
⑩	1	1563x365x30	
⑪	2	80x80x98	
⑫	2	266x365x70	
⑬	1	350x41x15	
⑭	1	350x41x15	
⑮	2	290x60x15	
⑯	3	80x80x95	
⑰	1	1002x70x15	
⑱	2	333x15x15	

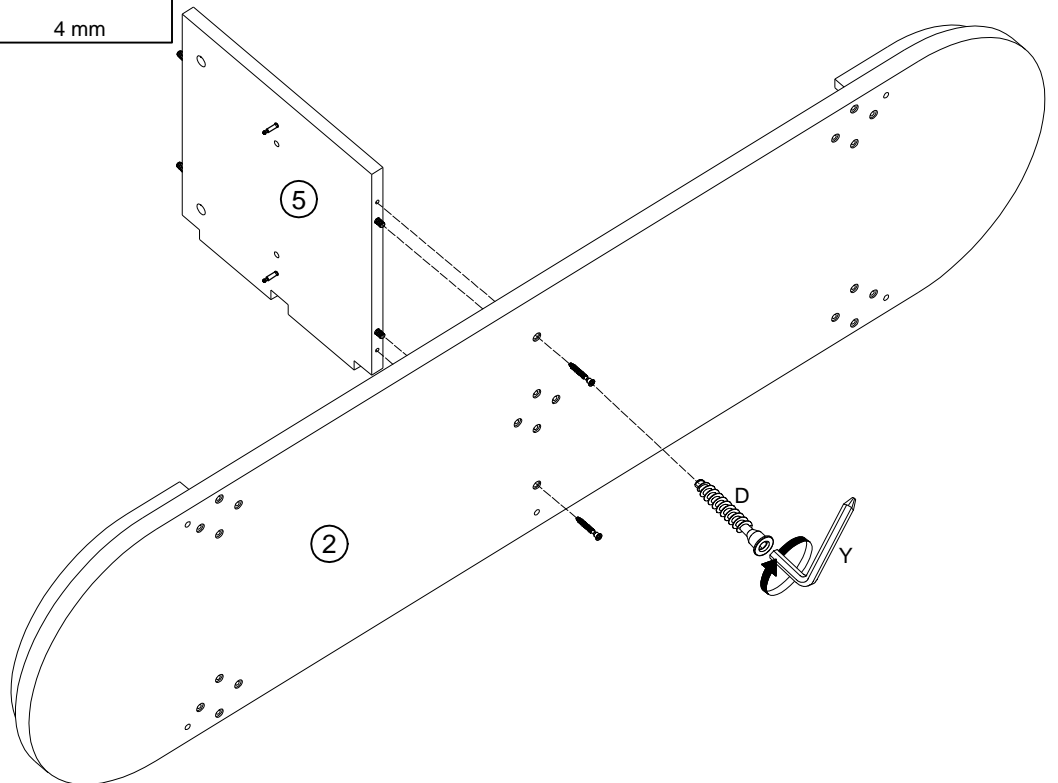
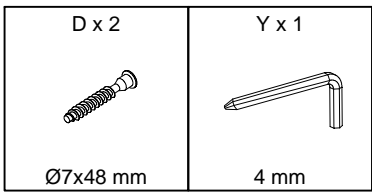


<p>A x 6</p>  <p>Ø6.3x45 mm</p>	<p>B x 6</p>  <p>Ø15x12 mm</p>	<p>C x 8</p>  <p>Ø8x30 mm</p>	<p>D x 2</p>  <p>Ø7x48 mm</p>	<p>E x 12</p>  <p>Ø3.5x12 mm</p>
<p>F x 6</p>  <p>Ø3x14mm</p>	<p>G x 38</p>  <p>M6x12 mm</p>	<p>H x 12</p>  <p>M6x8 mm</p>	<p>J x 4</p>  <p>M6x30 mm</p>	<p>K x 4</p>  <p>Ø3.5x14mm</p>
<p>L x 4</p>  <p>M6x28 mm</p>	<p>M x 2</p>  <p>M6x20 mm</p>	<p>N x 4</p>  <p>M5x20 mm</p>	<p>P x 2</p>  <p>Ø16x10 mm</p>	<p>Q x 4</p>  <p>Ø12x9 mm</p>
<p>R x 2</p>  <p>40x27x15 mm</p>	<p>S x 2</p>  <p>40x27x15 mm</p>	<p>T x 2</p>  <p>57x26x15 mm</p>	<p>U x 2</p>  <p>52x12x1.5 mm</p>	<p>V x 2</p>  <p>100x32x18 mm</p>
<p>W x 4</p>  <p>Ø5/Ø18 mm</p>	<p>X x 1</p>  <p>3mm</p>	<p>Y x 1</p>  <p>4 mm</p>	<p>Z x 2</p>  <p>150 mm</p>	<p>AA x 2</p>  <p>Ø4x16 mm</p>

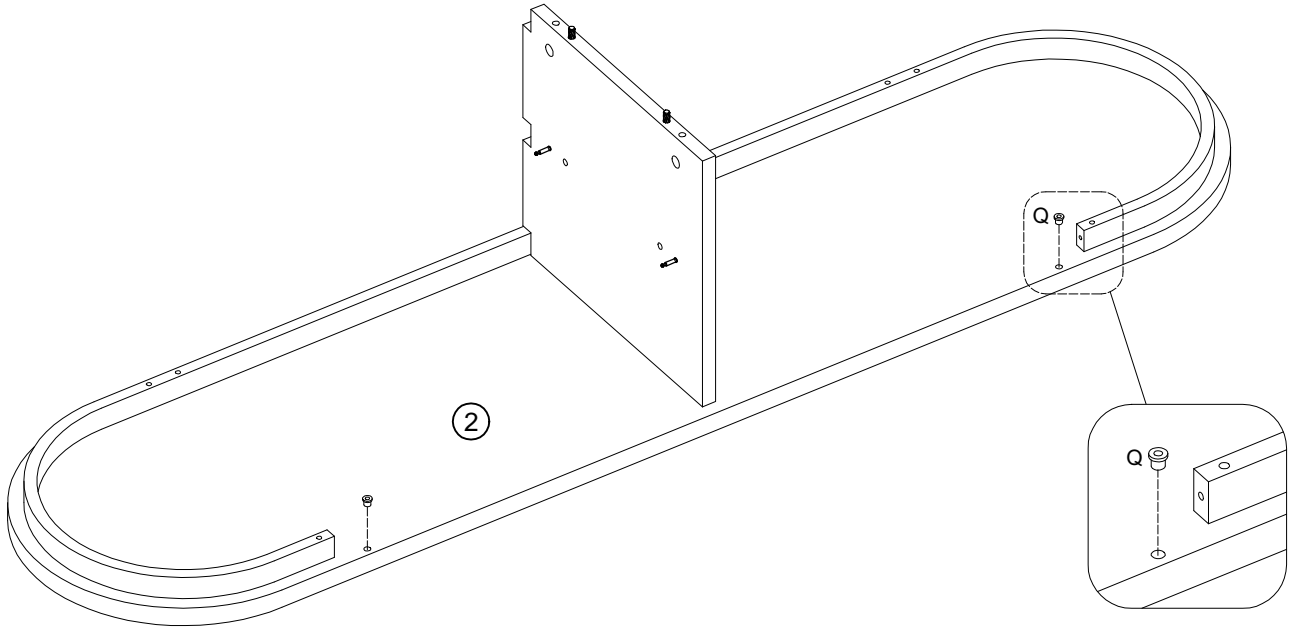
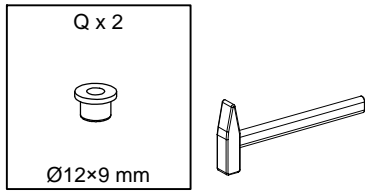
1



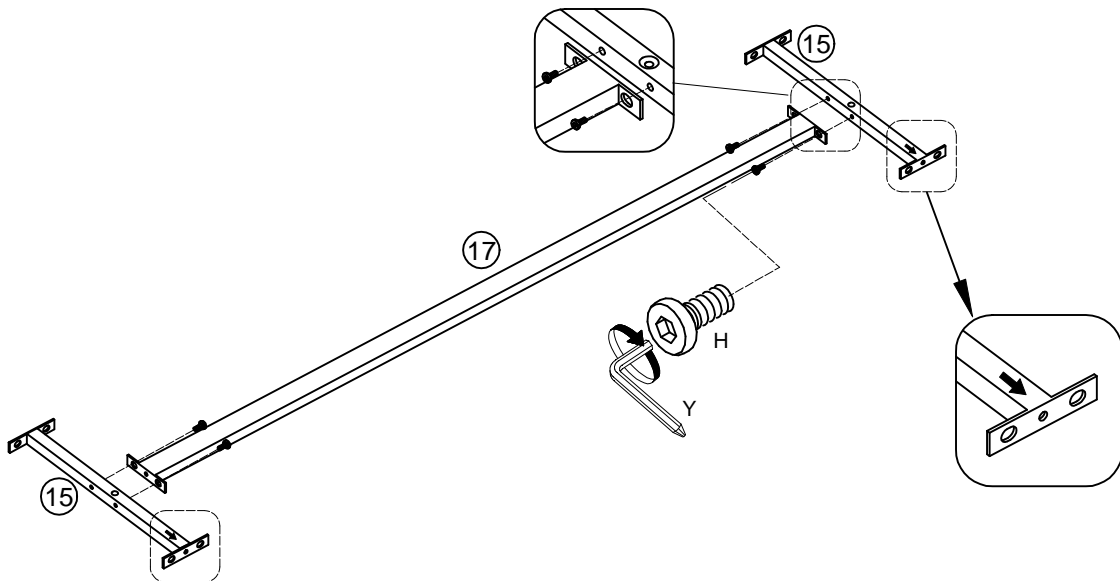
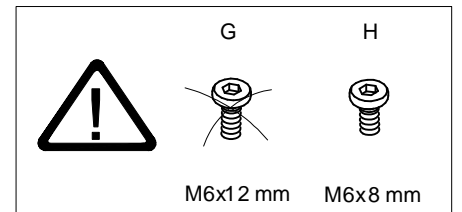
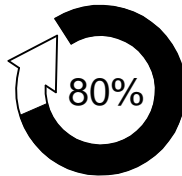
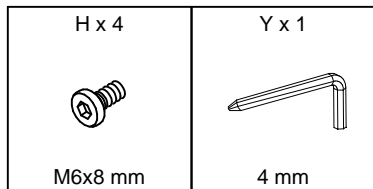
2



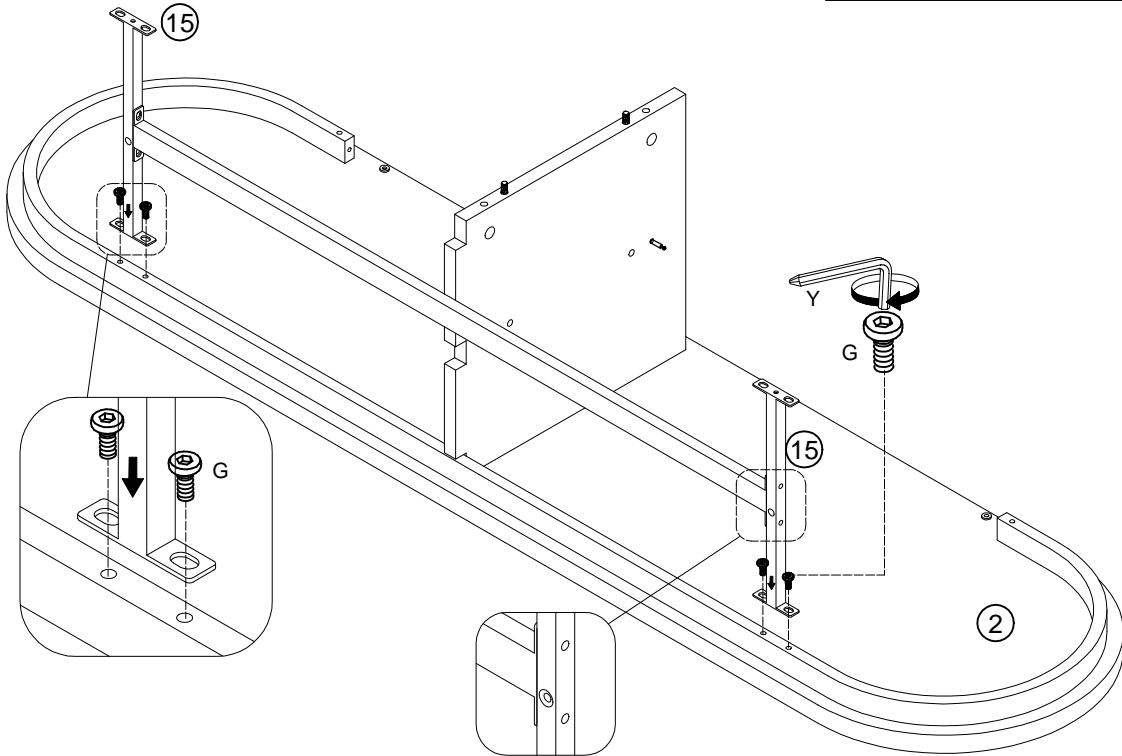
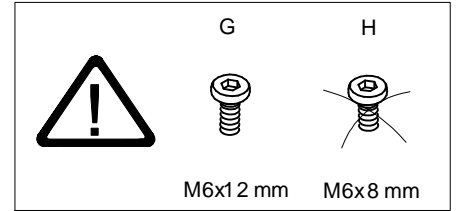
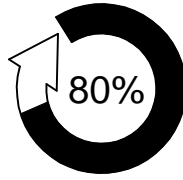
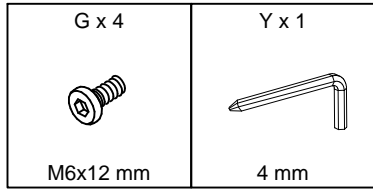
3



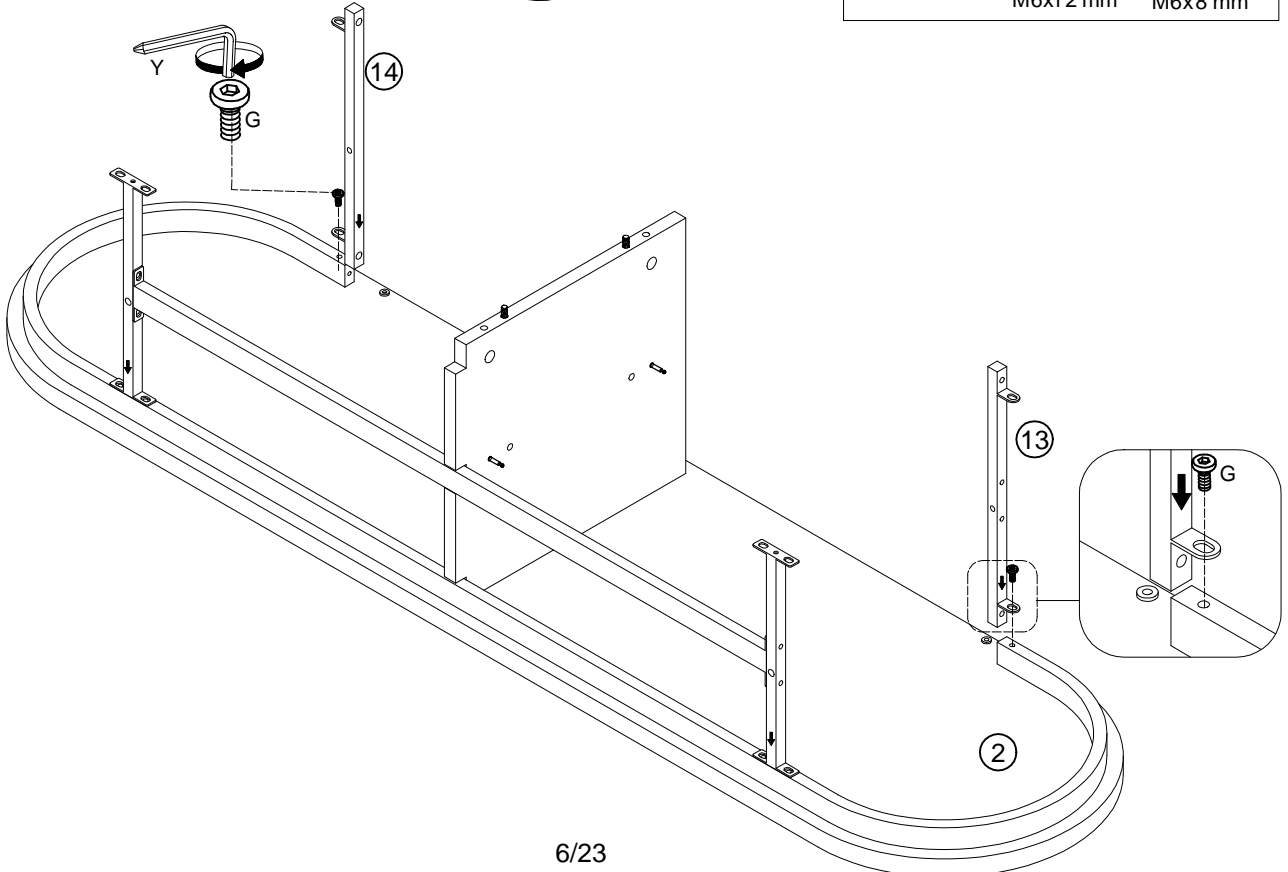
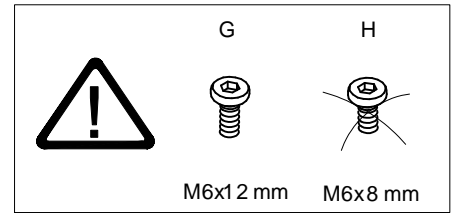
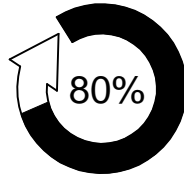
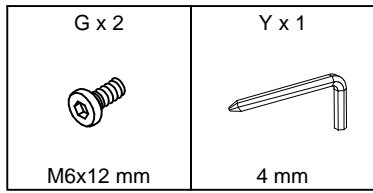
4





5

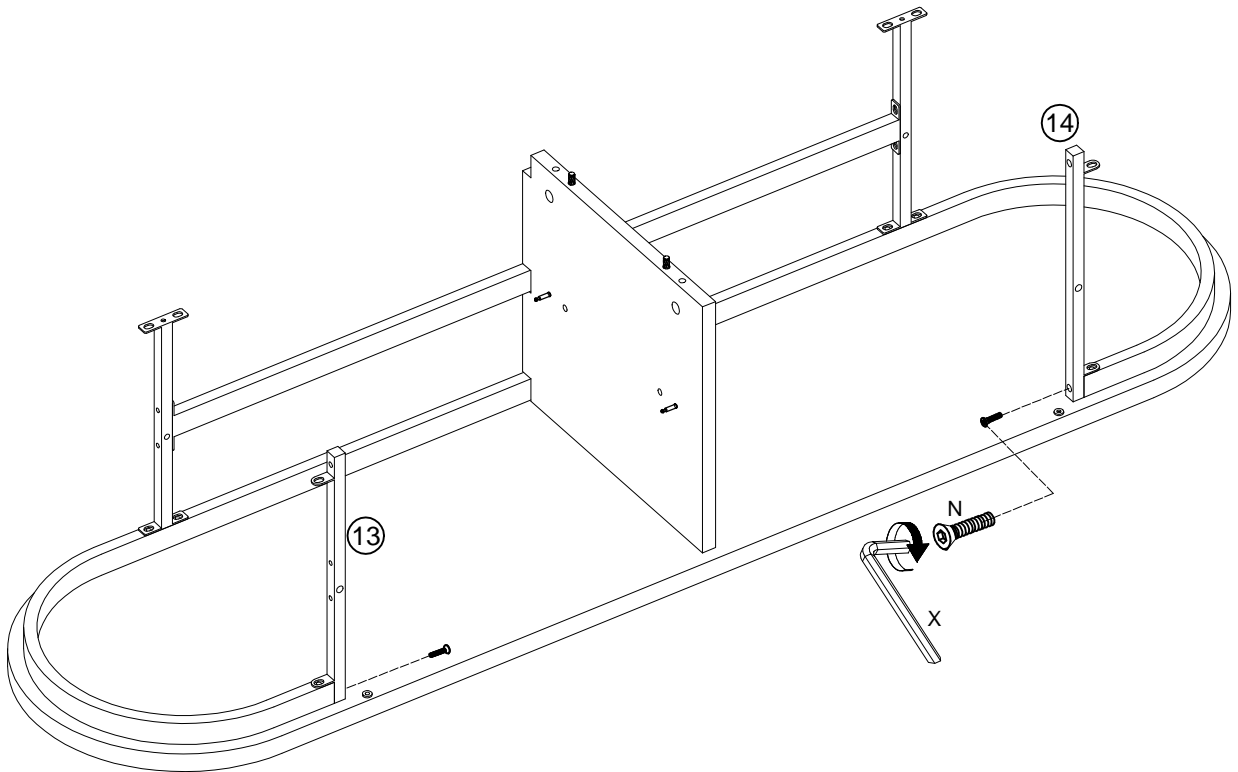
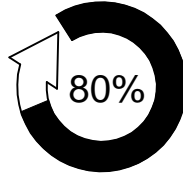


6





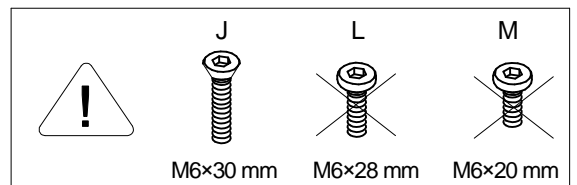
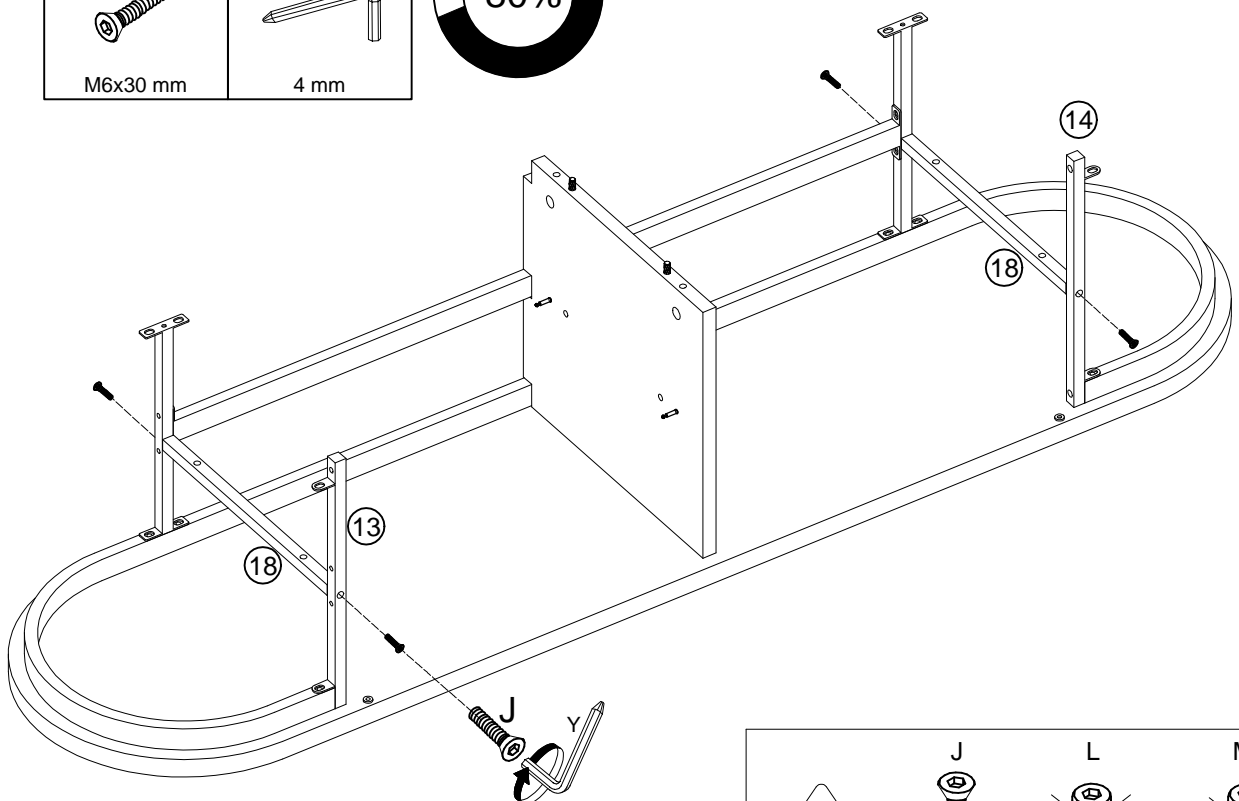
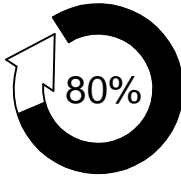
7

N x 2	X x 1
	
M5x20 mm	3 mm

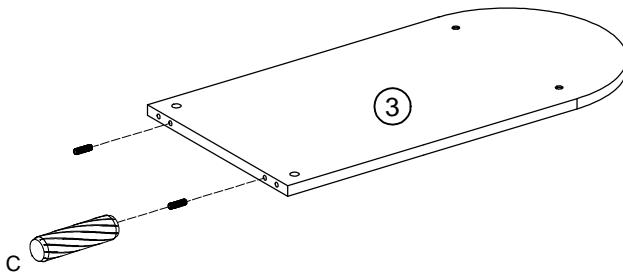
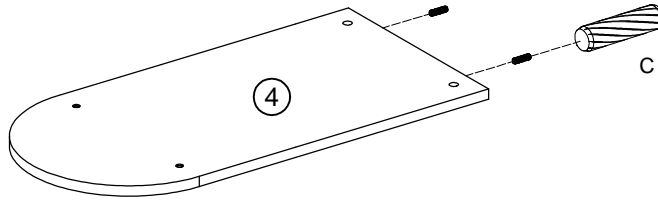
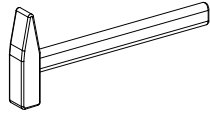
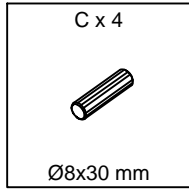


8

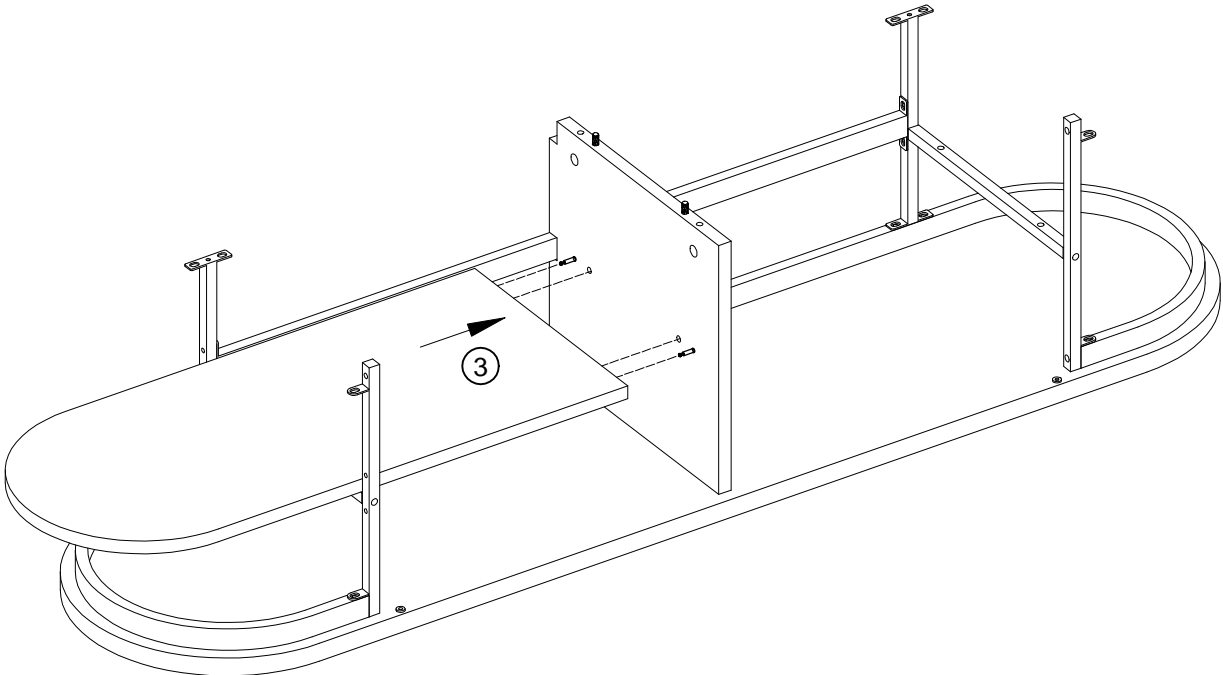
J x 4	Y x 1
	
M6x30 mm	4 mm



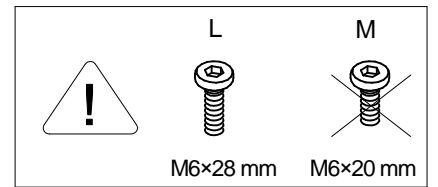
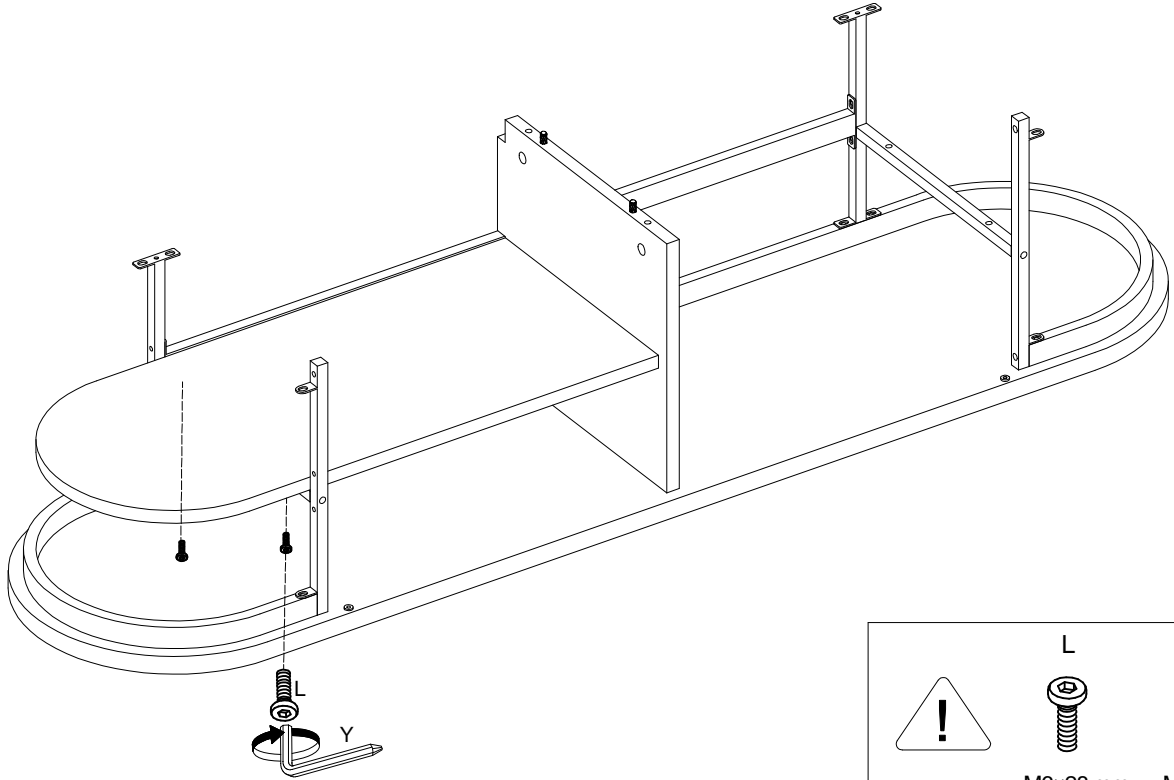
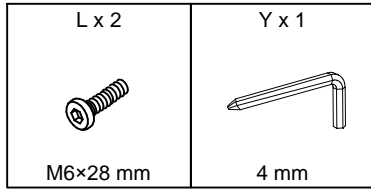
9



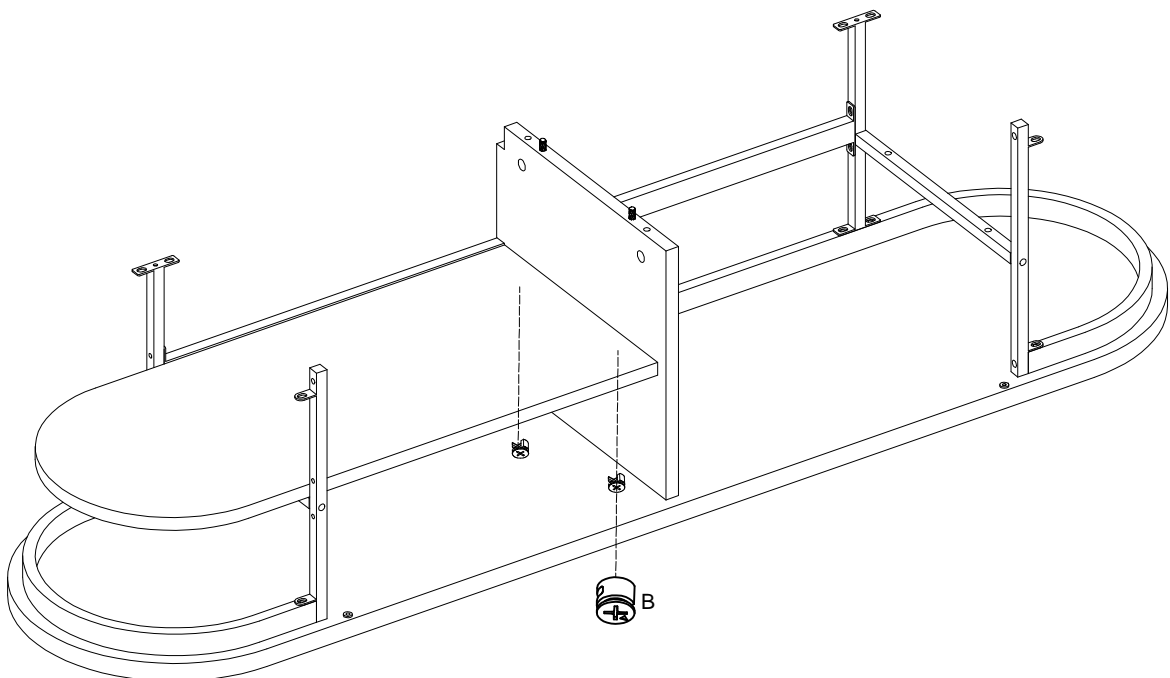
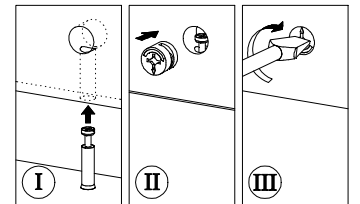
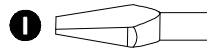
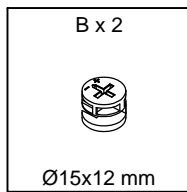
10



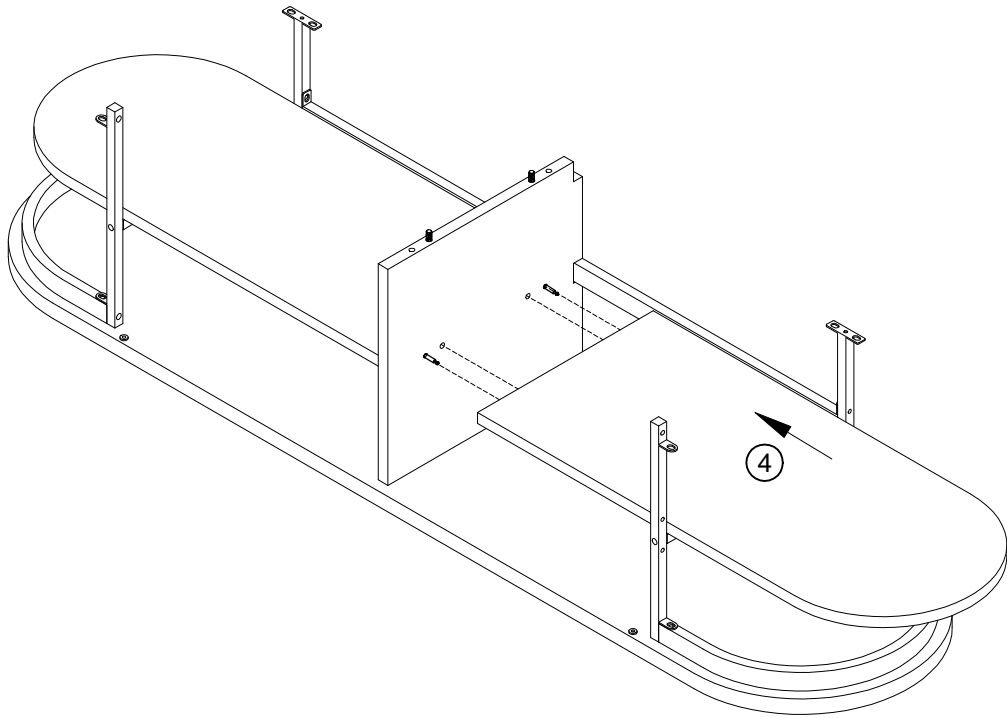
11



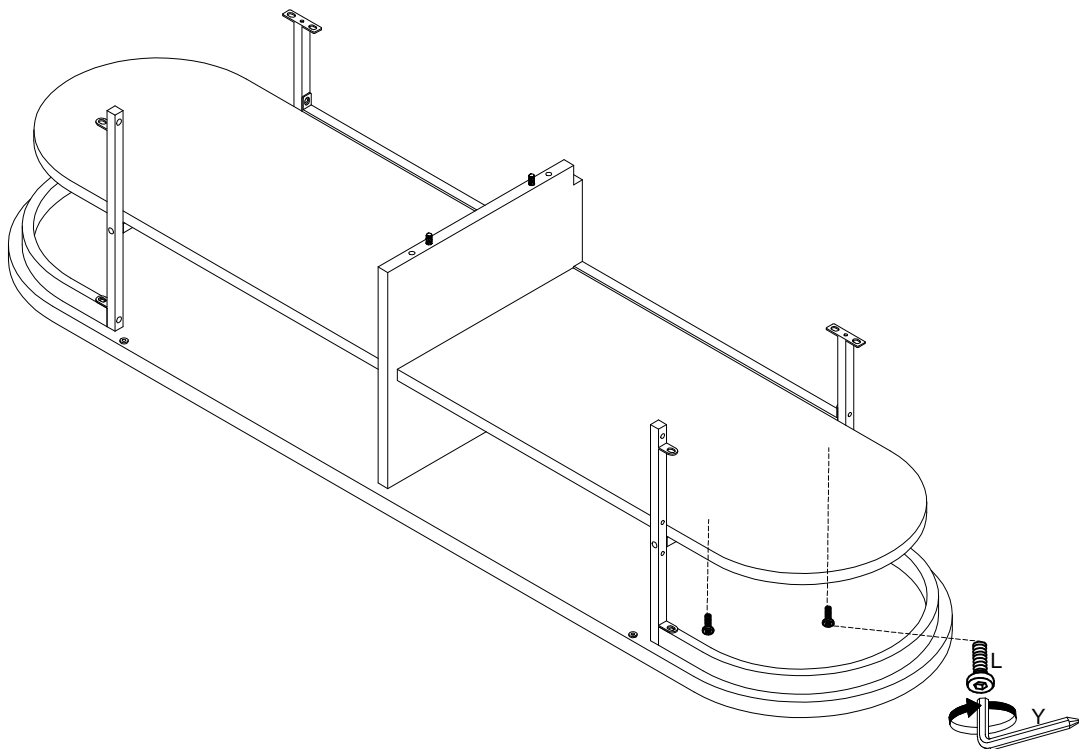
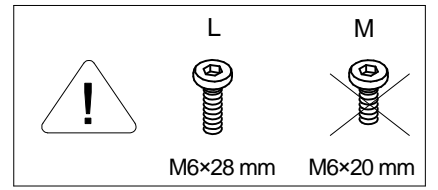
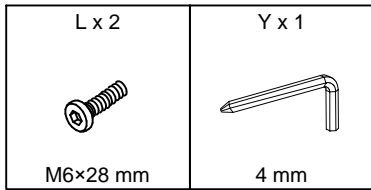
12



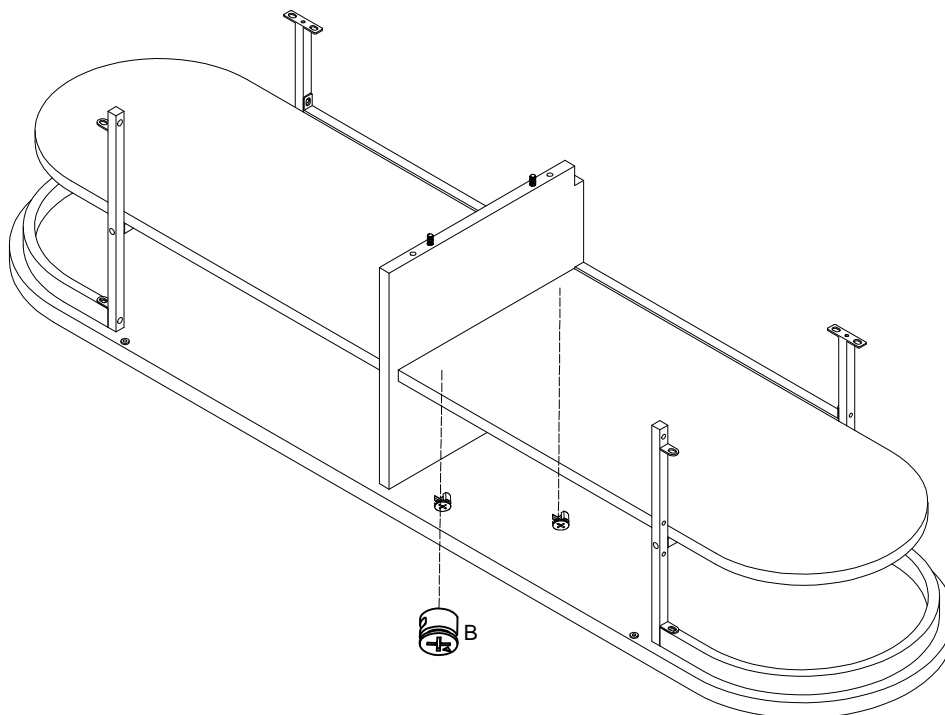
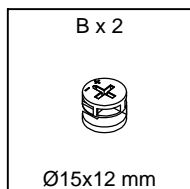
13



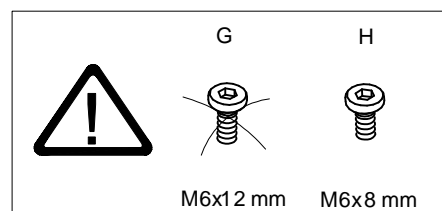
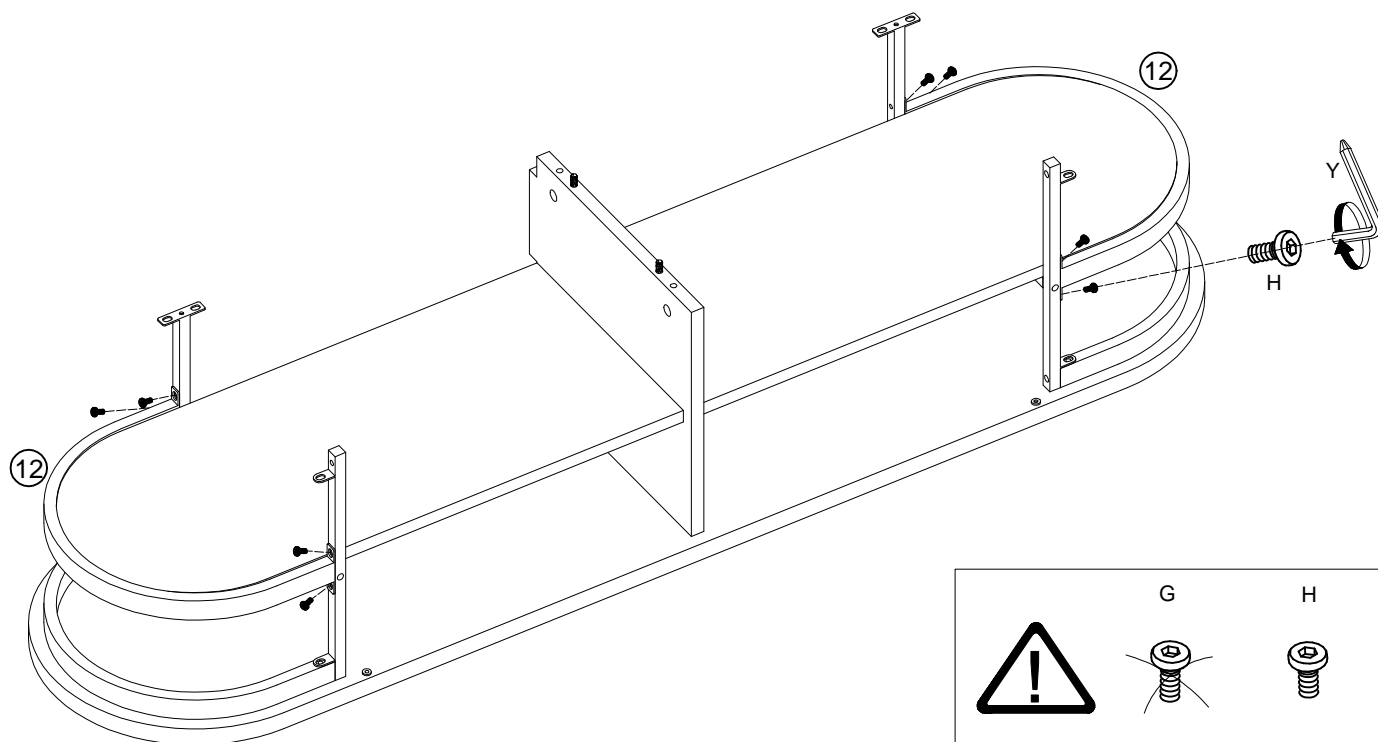
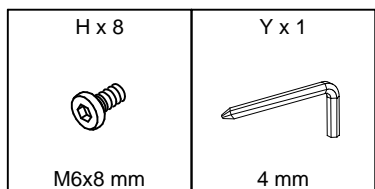
14





15

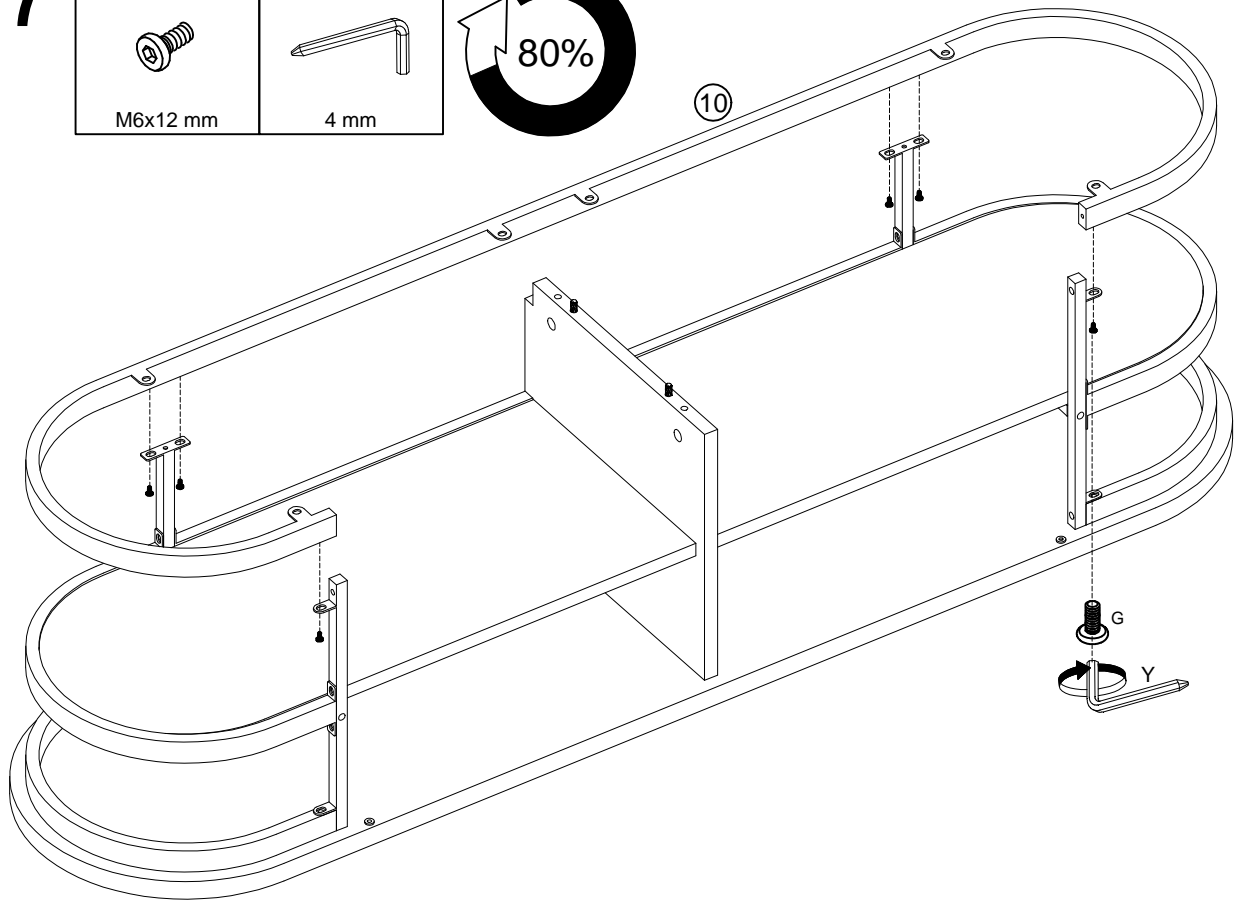
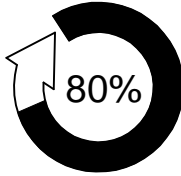


16





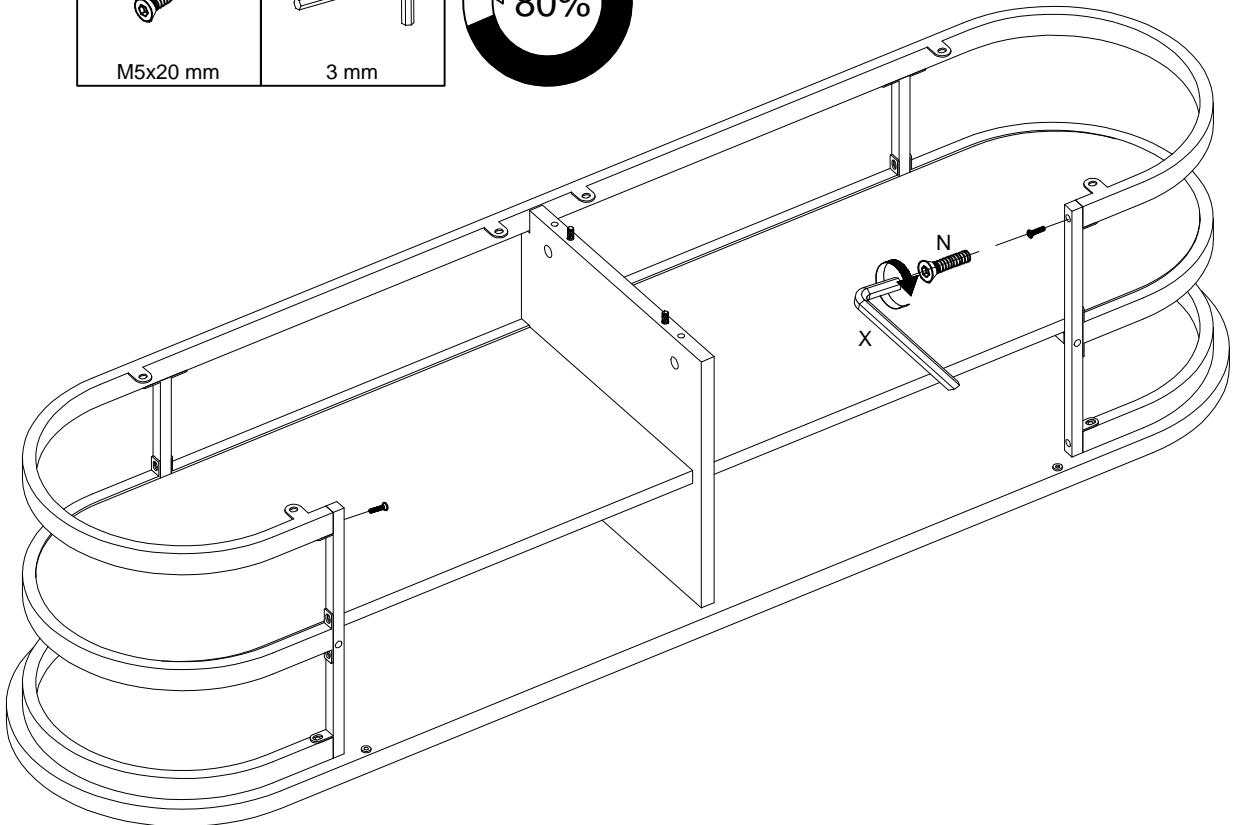
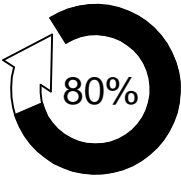
17

G x 6	Y x 1
	
M6x12 mm	4 mm

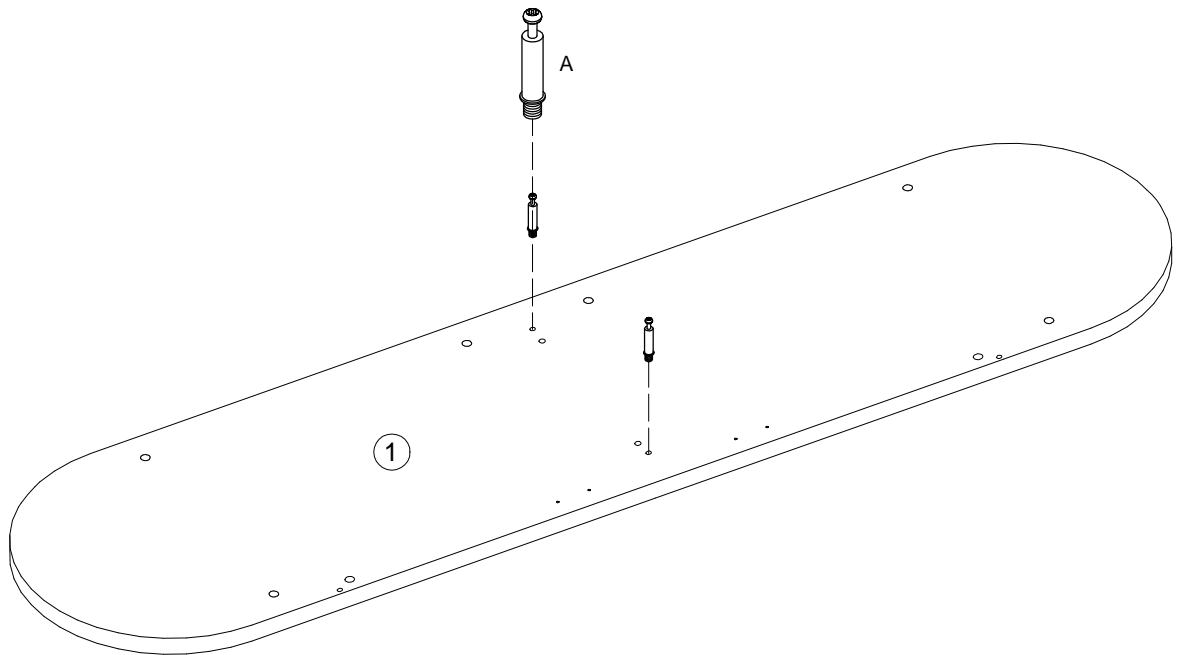
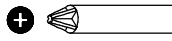
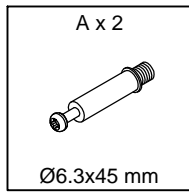


18

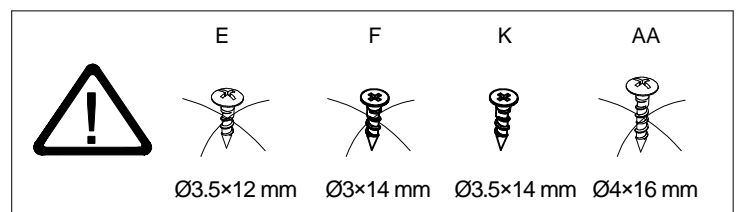
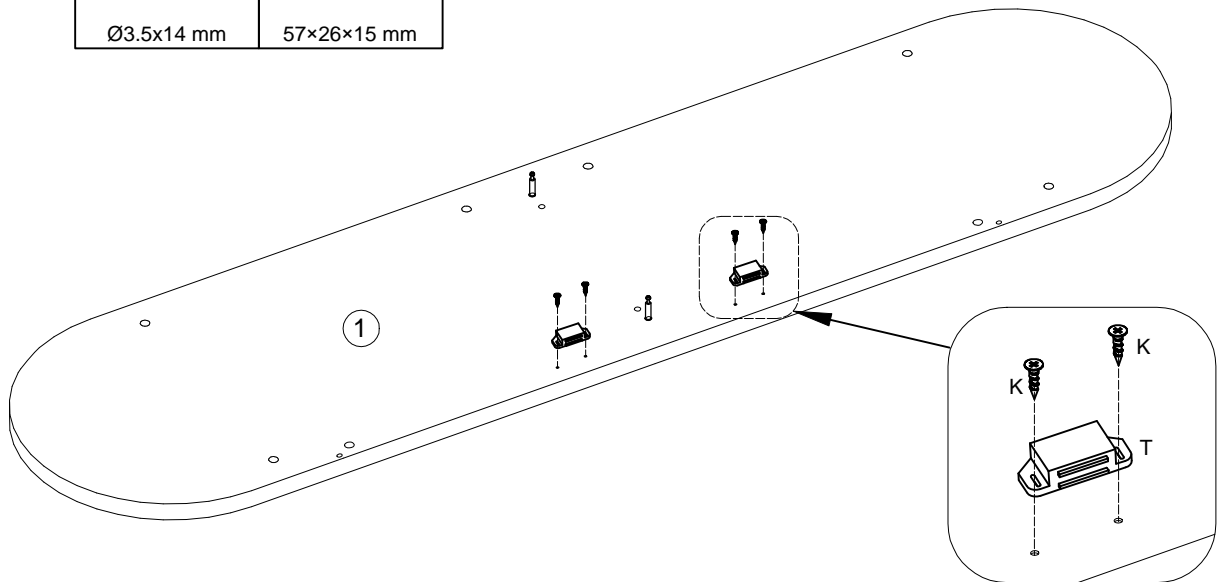
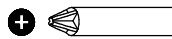
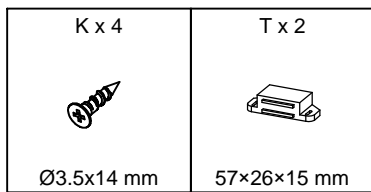
N x 2	X x 1
	
M5x20 mm	3 mm



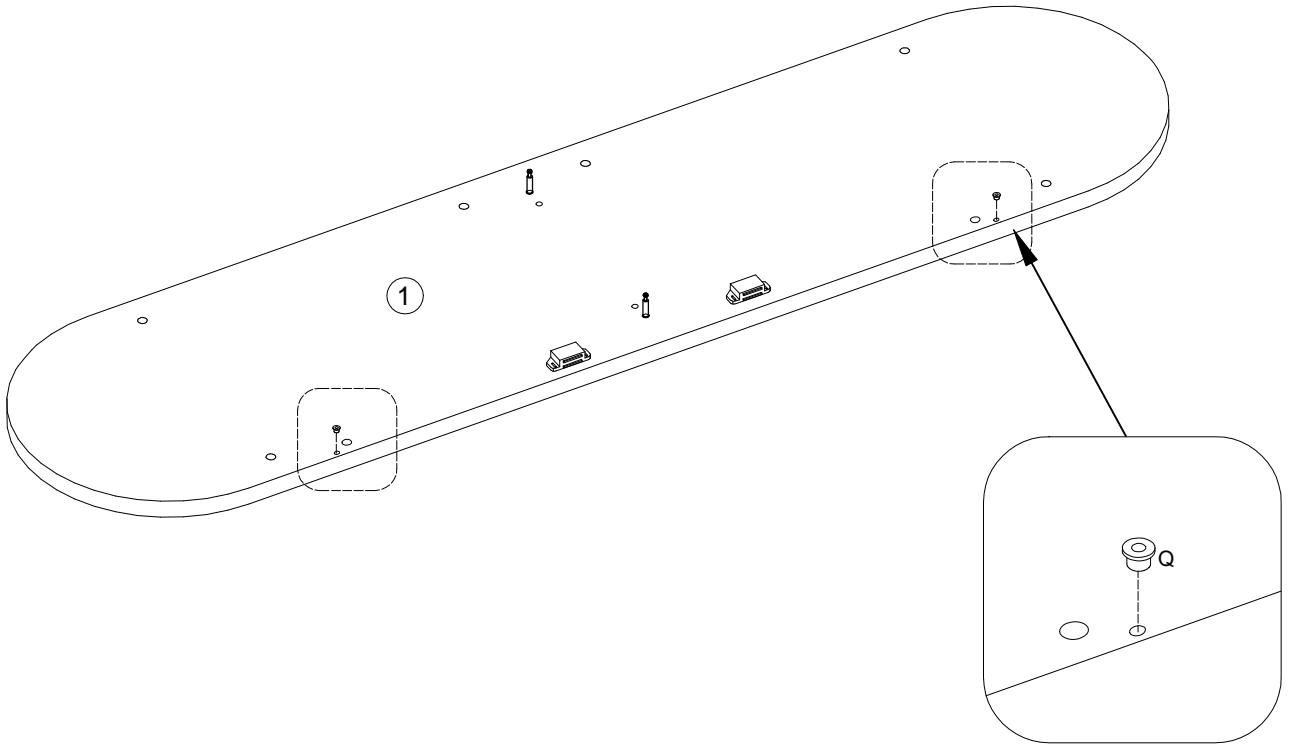
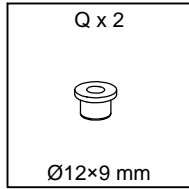
19



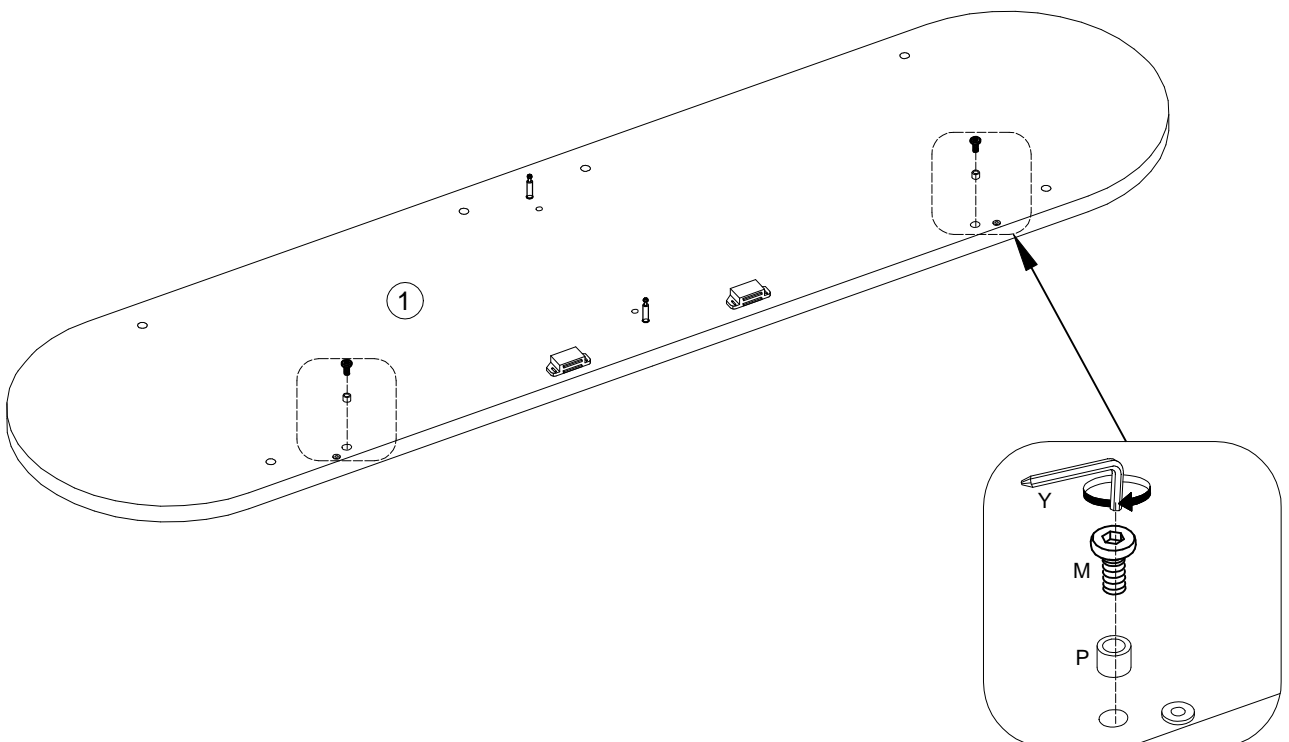
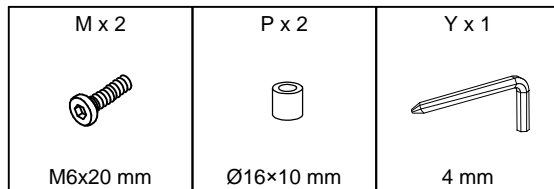
20



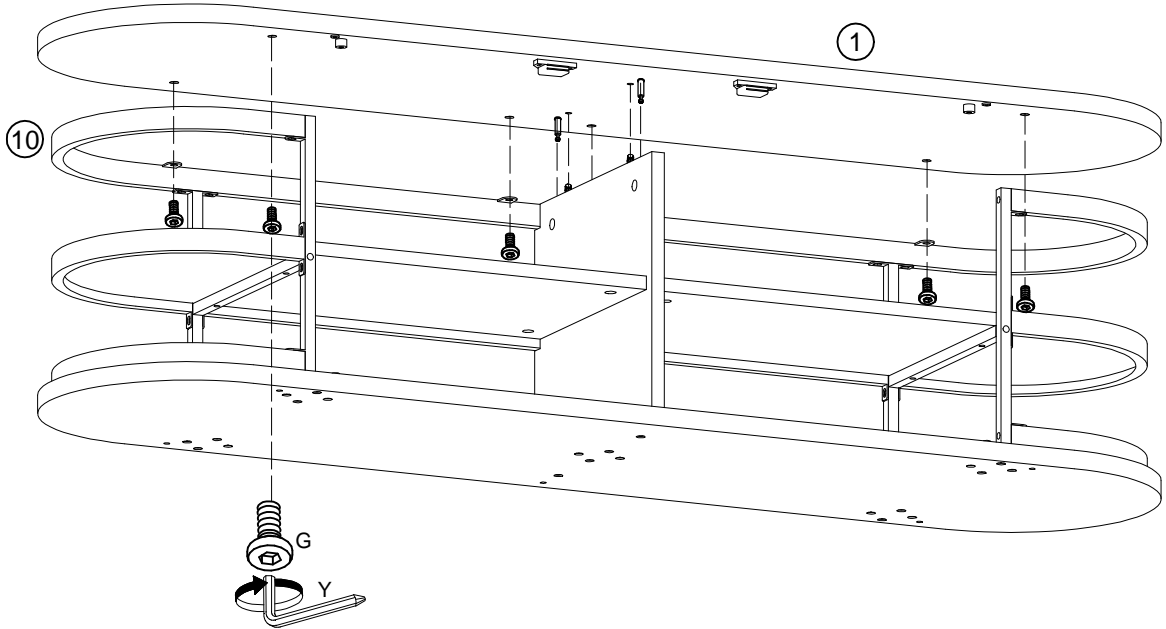
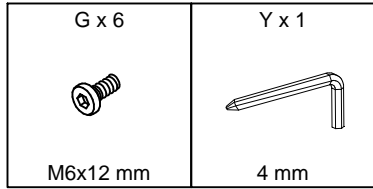
21



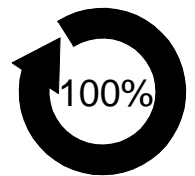
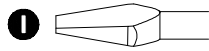
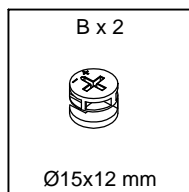
22



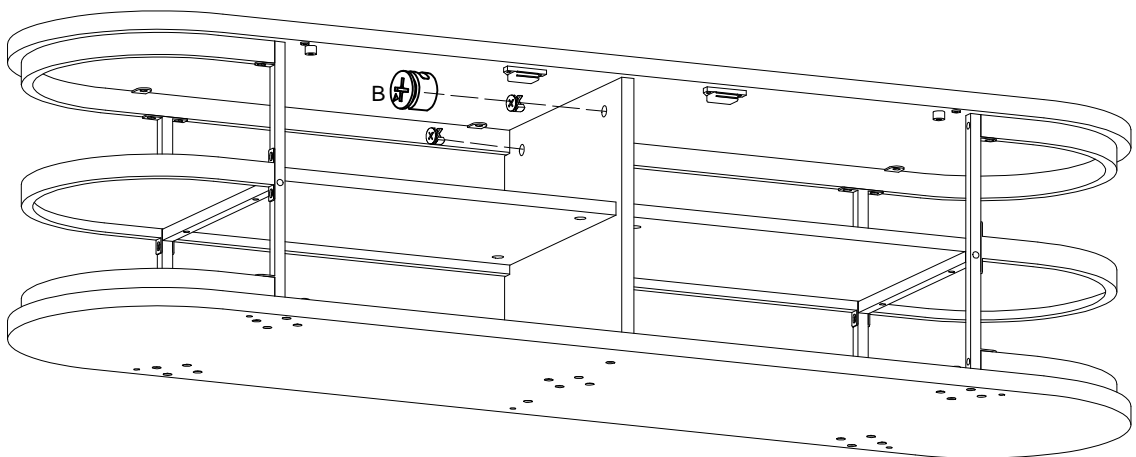
23



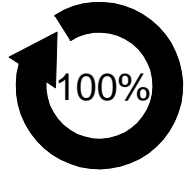
24



N x 4



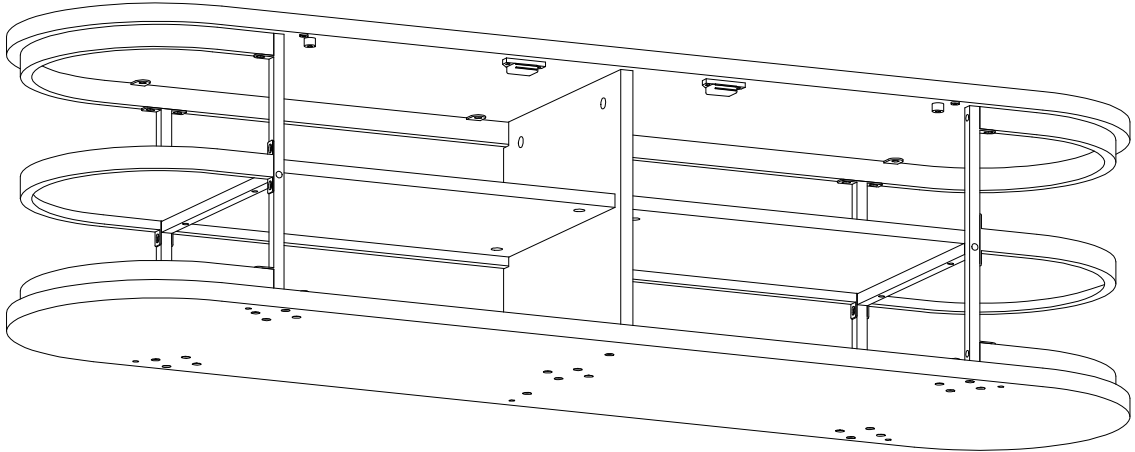
25



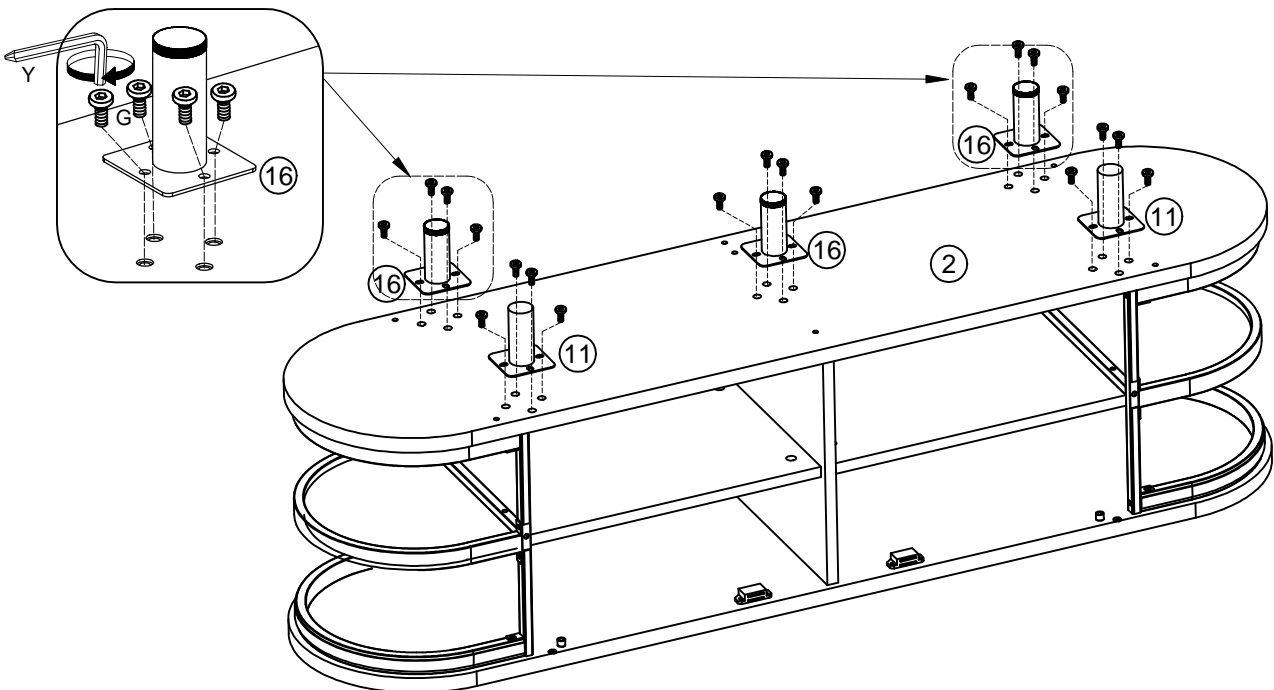
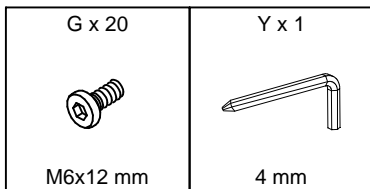
G × 12

H × 4




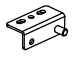

J × 4

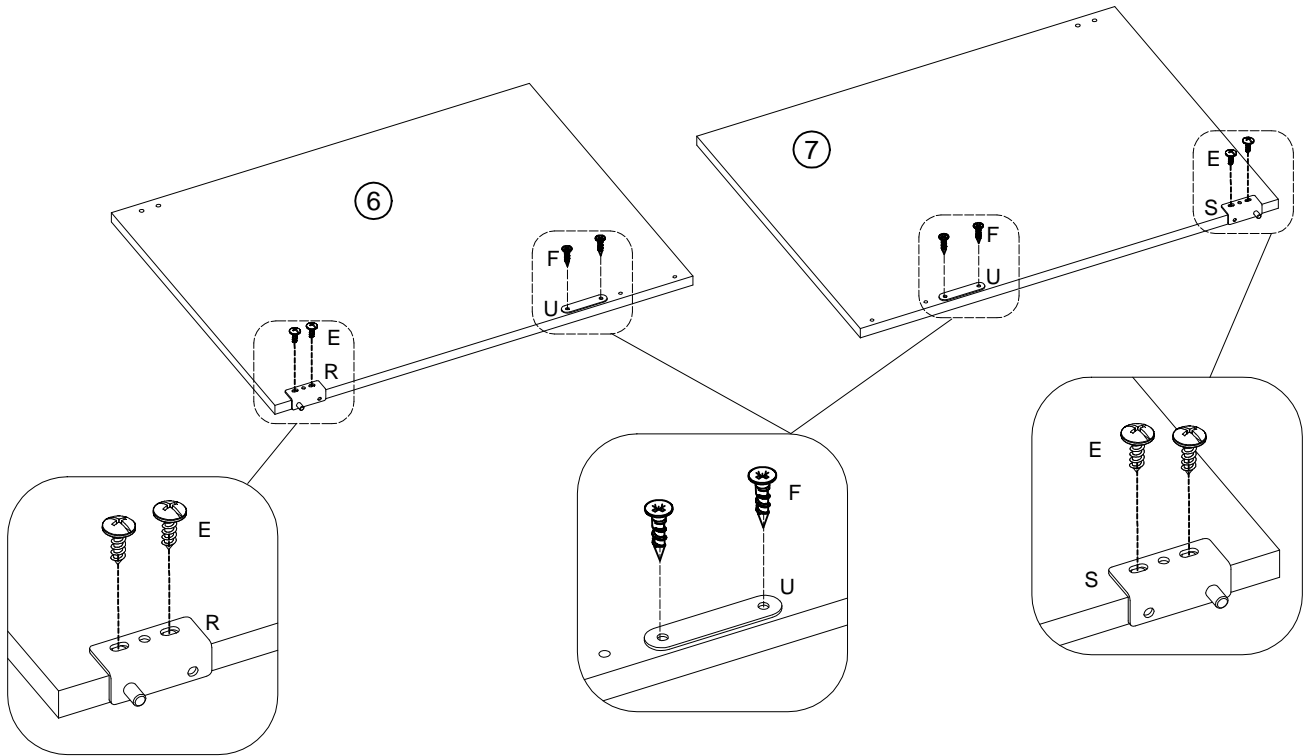


26





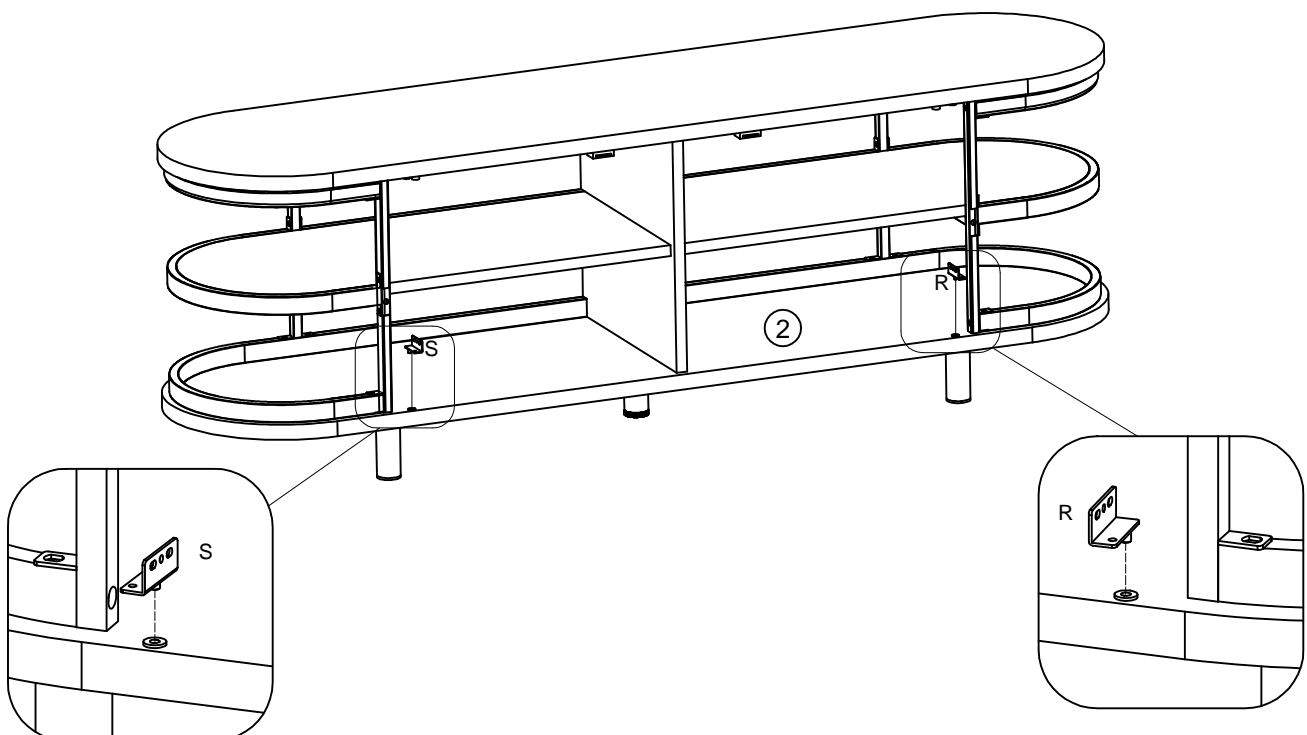
27

E x 4  Ø3.5x12 mm	F x 4  Ø3x14mm	R x 1  40x27x15 mm	S x 1  40x27x15 mm	U x 2  52x12x1.5 mm
--	---	---	---	--

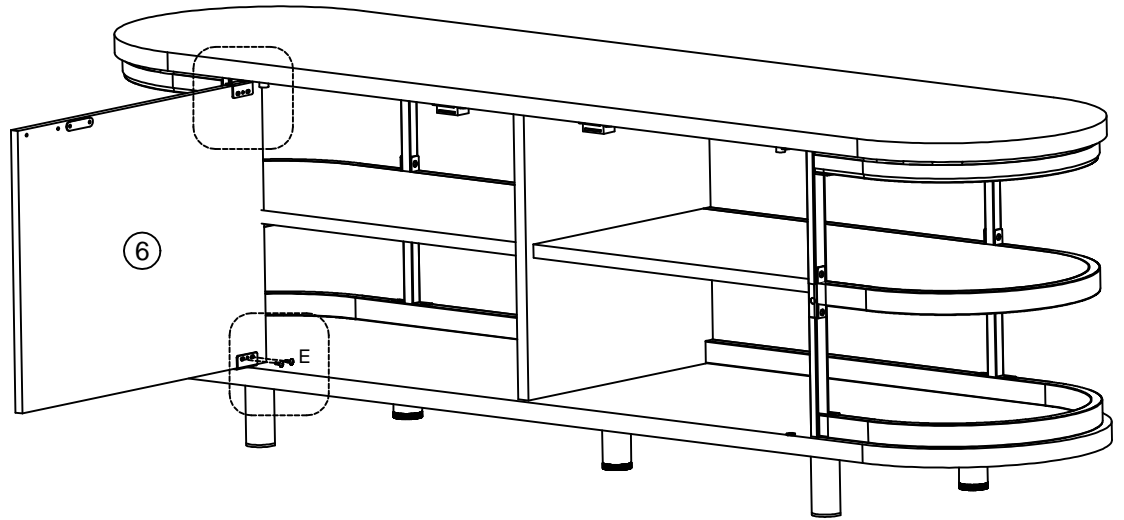
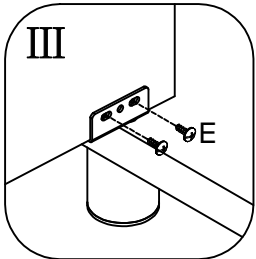
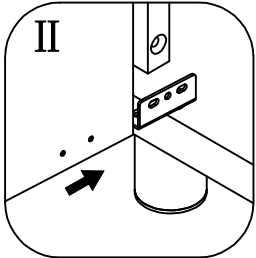
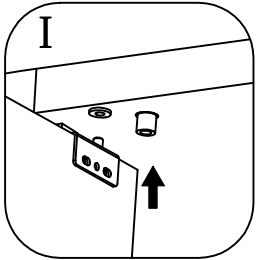
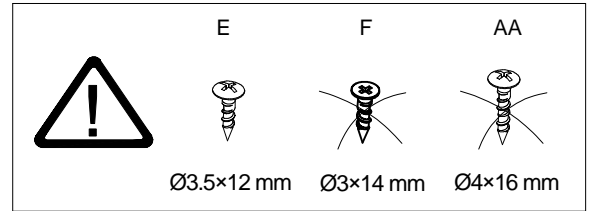
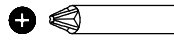
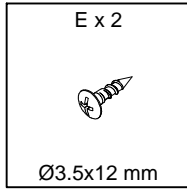


28

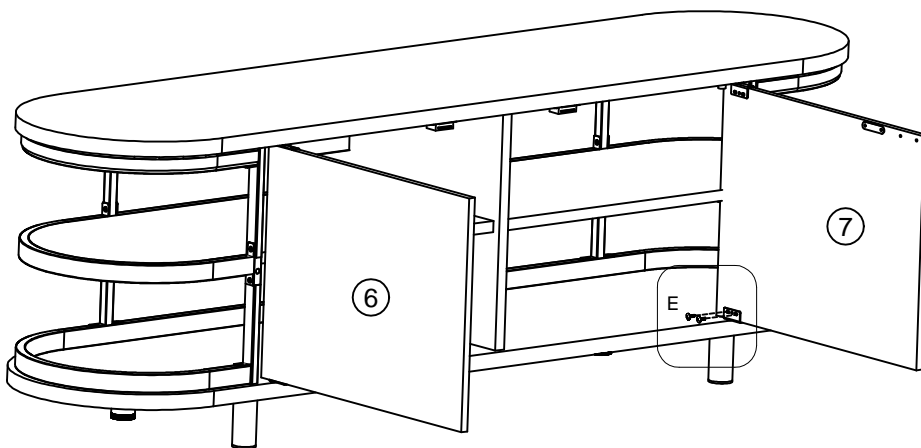
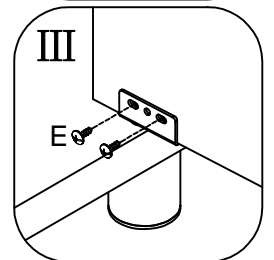
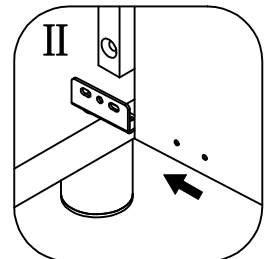
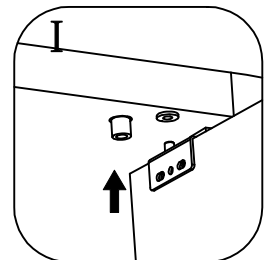
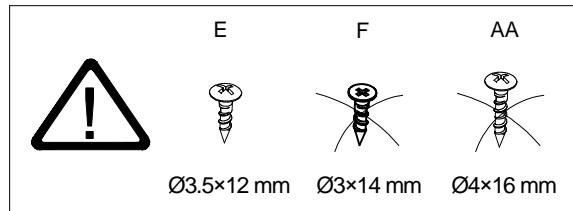
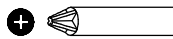
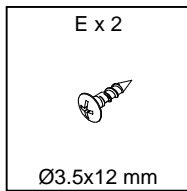
R x 1  40x27x15 mm	S x 1  40x27x15 mm
---	---




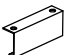
29

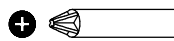






30

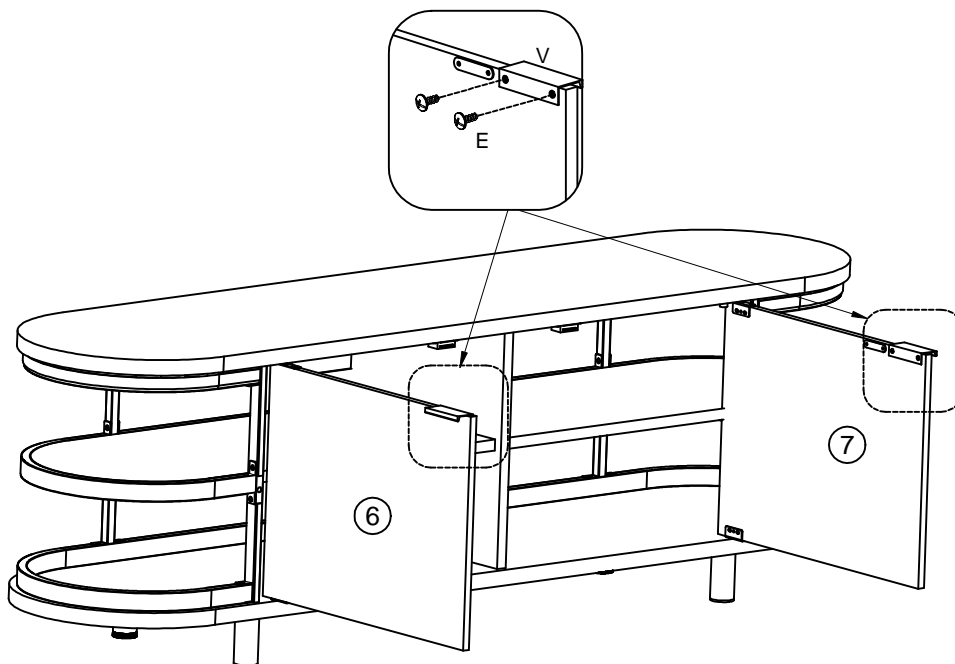


31

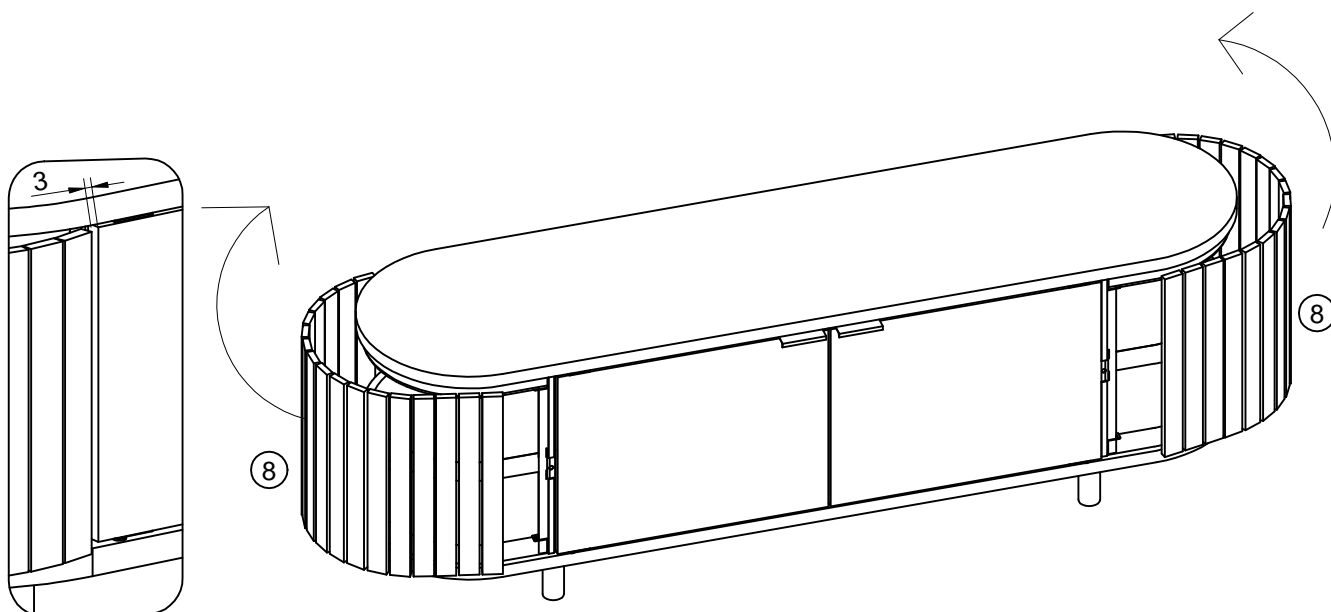
E x 4  Ø3.5x12 mm	V x 2  100x32x18 mm
--	--



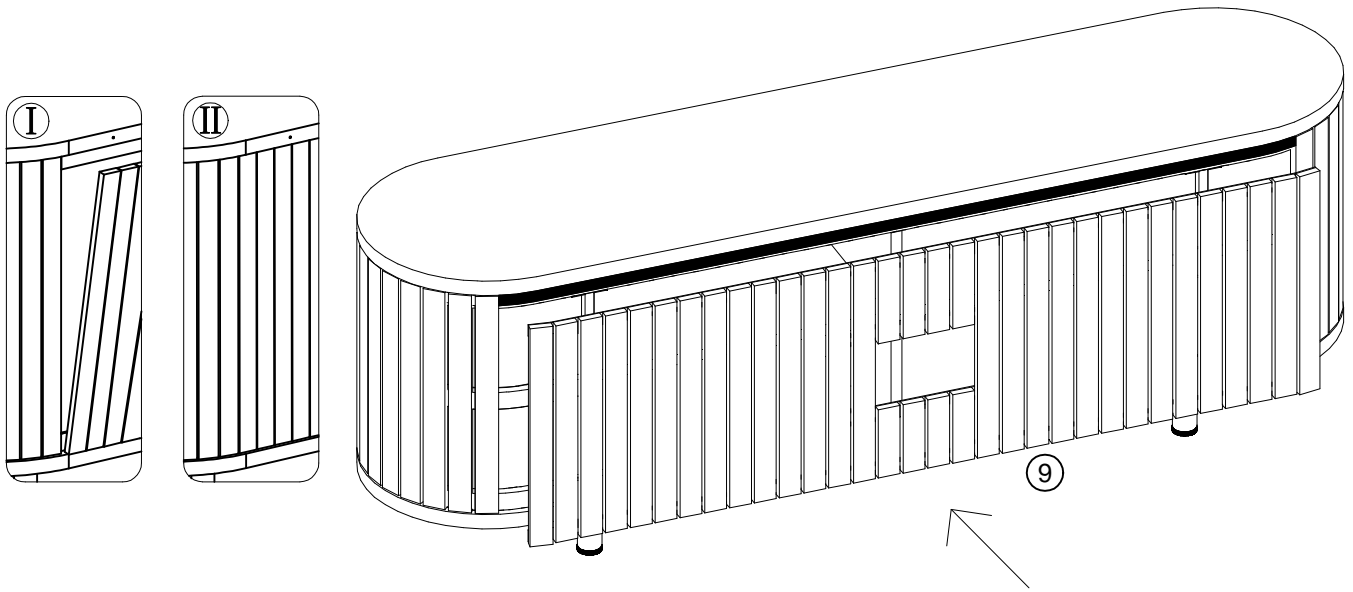
	E  Ø3.5x12 mm	F  Ø3x14 mm	AA  Ø4x16 mm
--	--	--	---



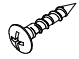

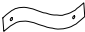
32






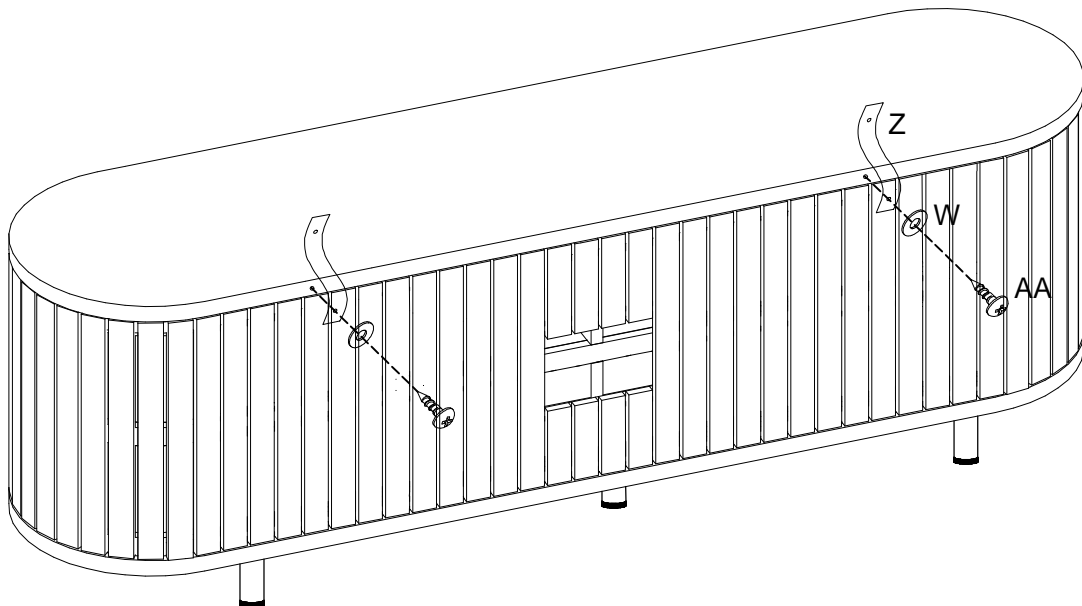
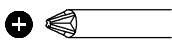
33



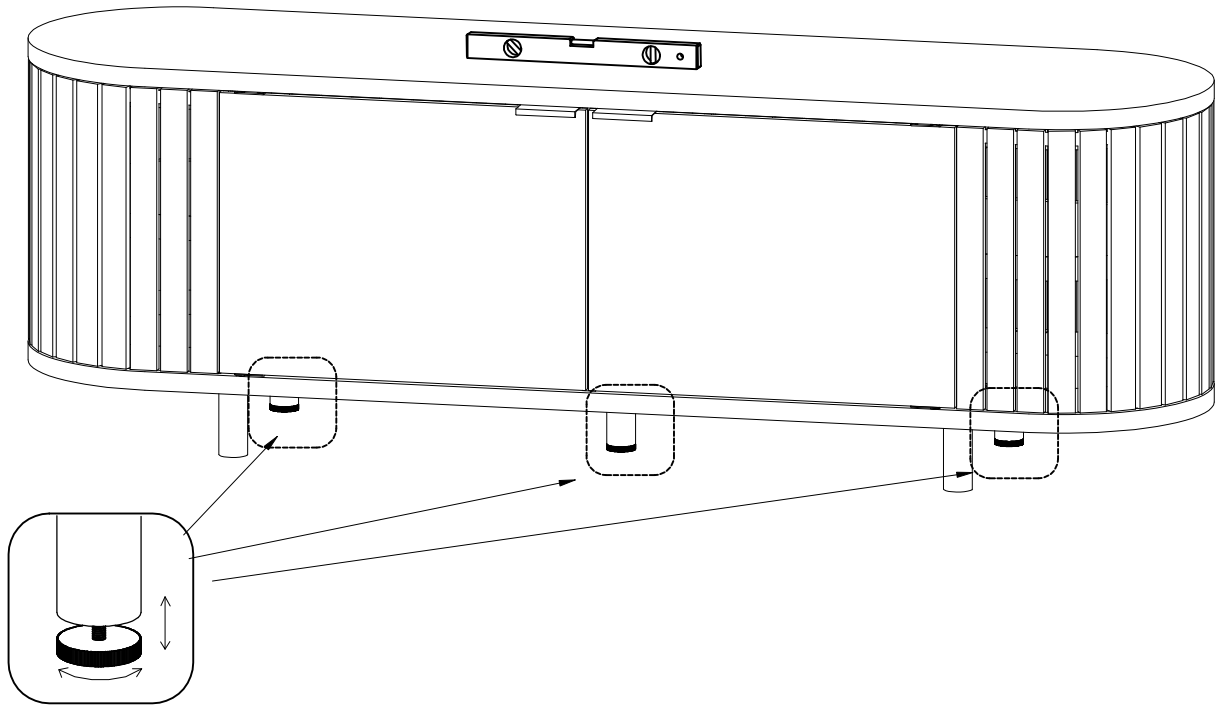
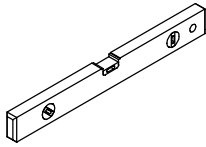
34

AA x 2	W x 2	Z x 2
		
Ø4x16 mm	Ø5/Ø18mm	150 mm

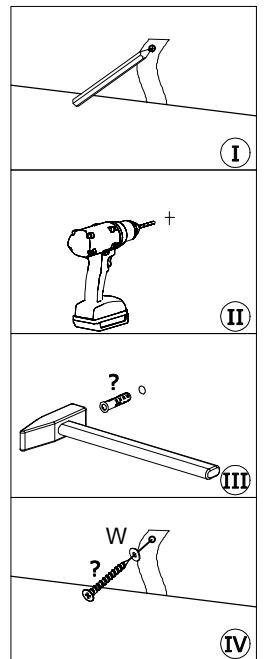
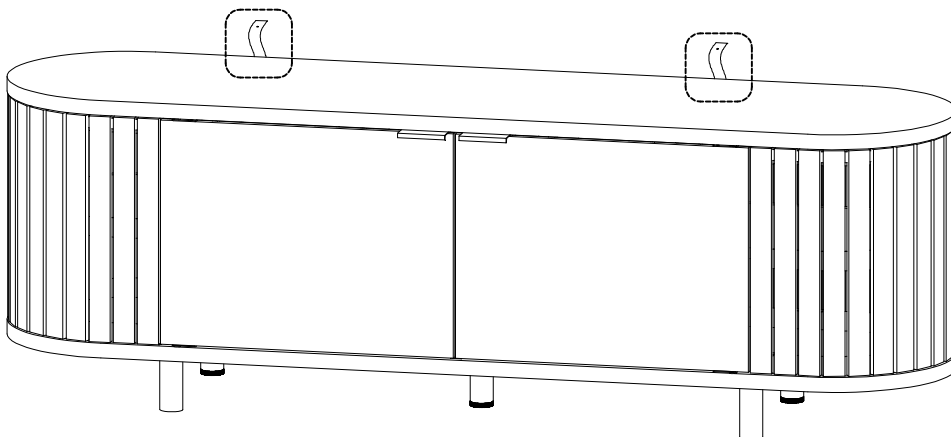
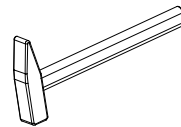
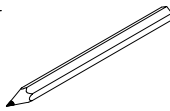
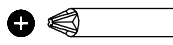
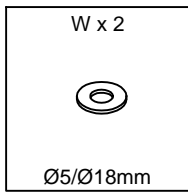
	F	AA
		
	Ø3x14 mm	Ø4x16 mm

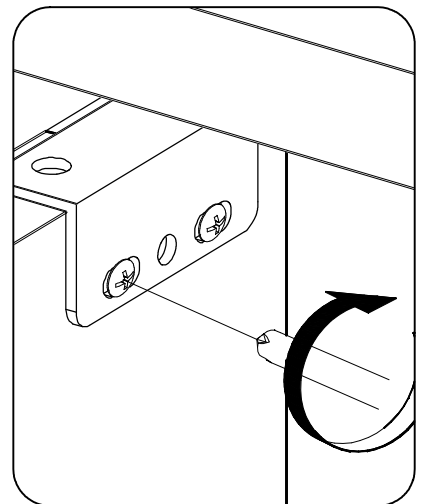
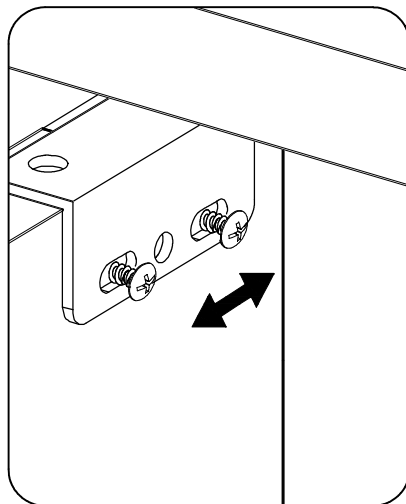
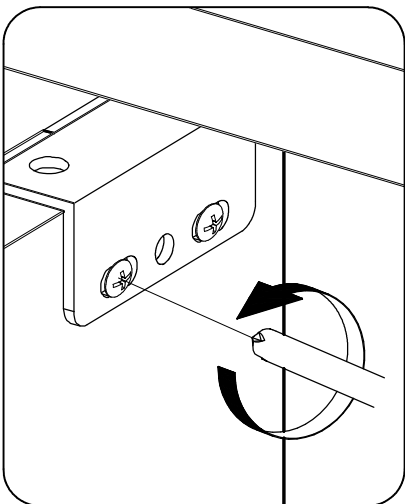
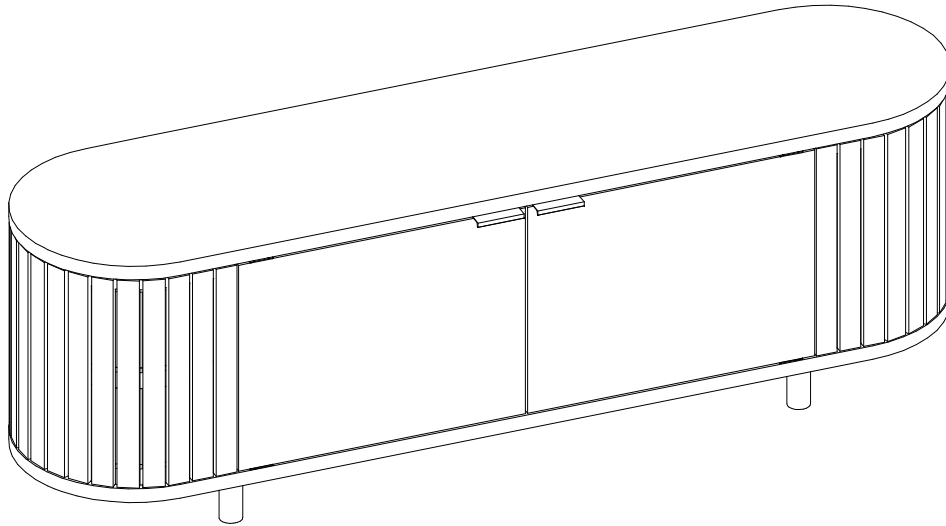


35

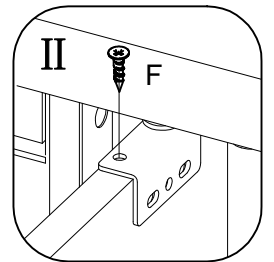
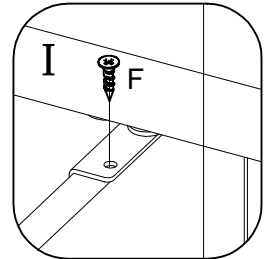
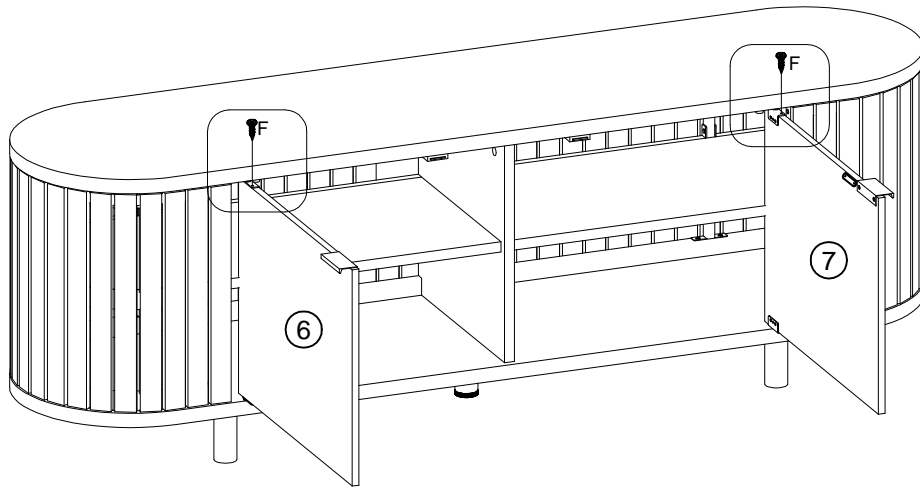
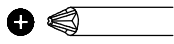
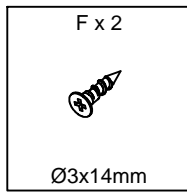


36





38



39

