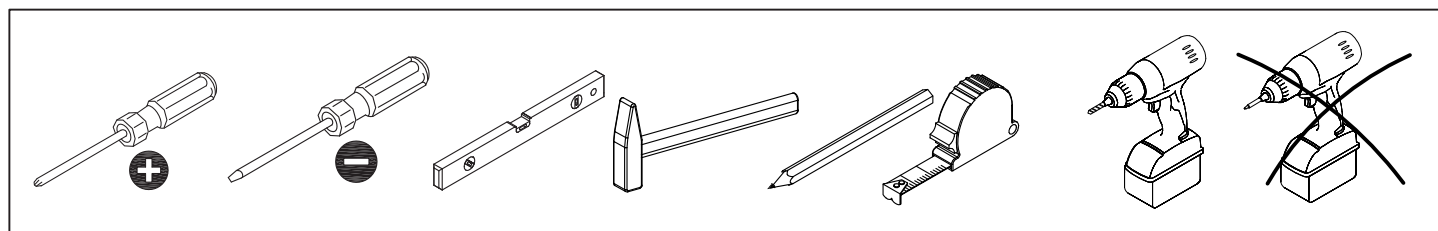
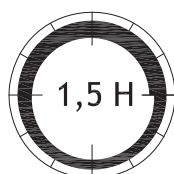
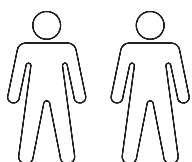
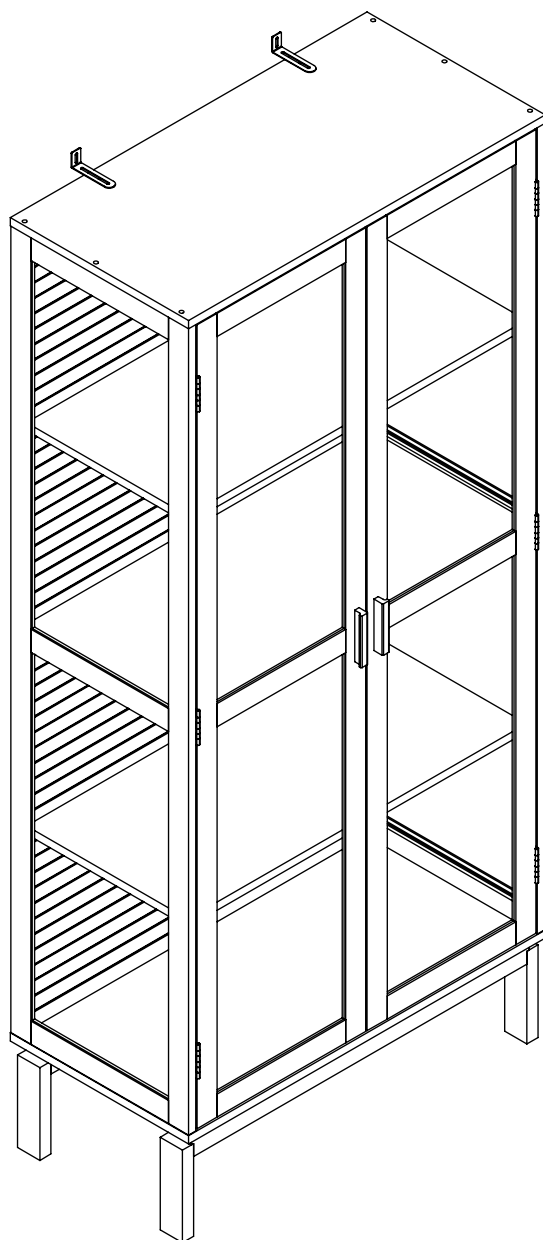
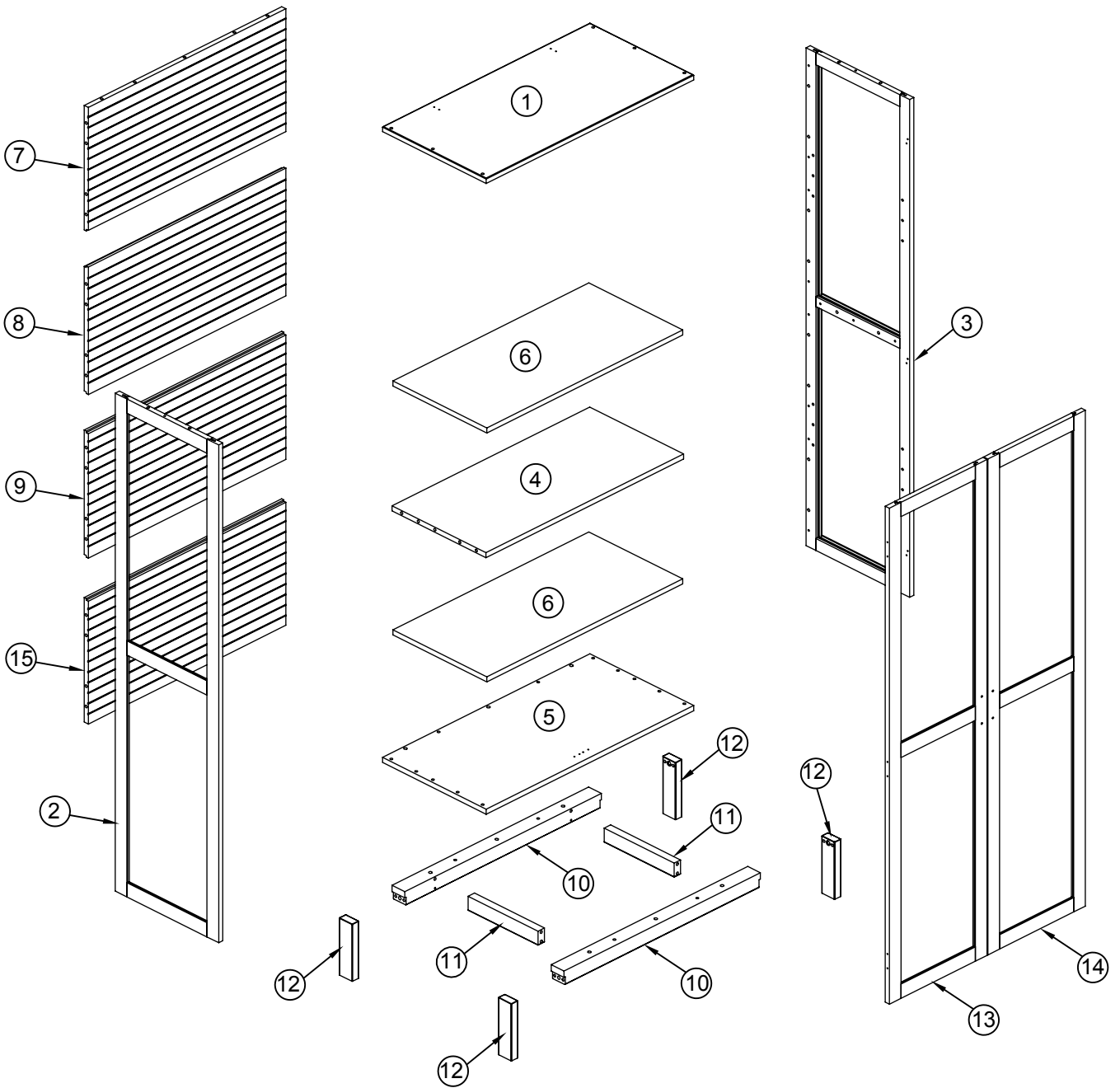


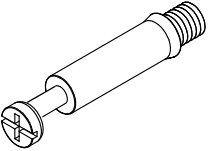
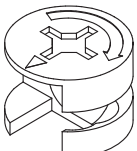
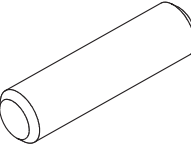
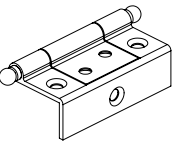
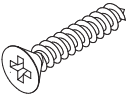

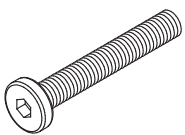
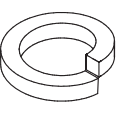
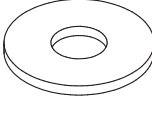
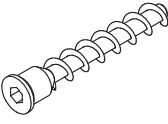
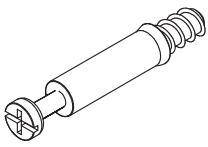
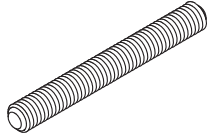
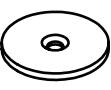
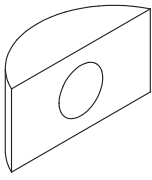
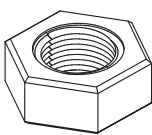
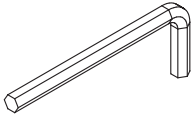
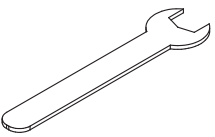
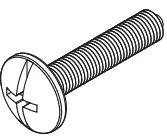
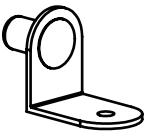
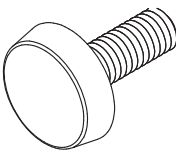

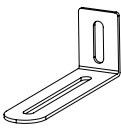
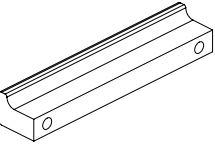
LINLEY



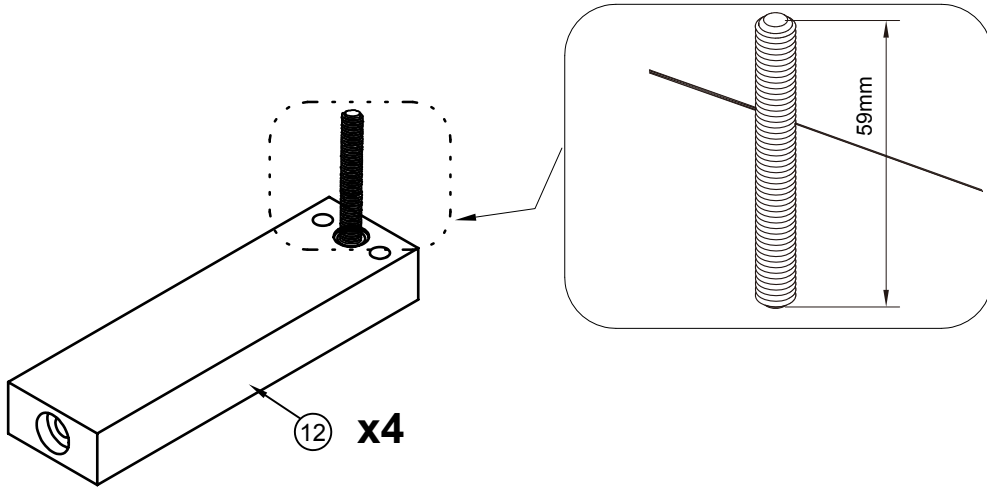
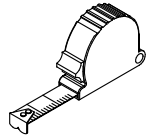
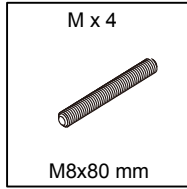
			✓
①	1	800x400x16	
②	1	1568x399x16	
③	1	1568x399x16	
④	1	762x362x16	
⑤	1	800x400x16	
⑥	2	756x362x16	
⑦	1	762x392x16	
⑧	1	762x402x16	

			✓
⑨	1	762x397x16	
⑩	2	758x49x45	
⑪	2	270x45x25	
⑫	4	180x50x25	
⑬	1	1562x376.5x16	
⑭	1	1562x376.5x16	
⑮	1	762x392x16	

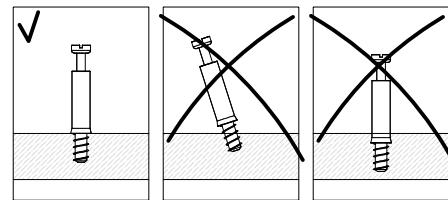
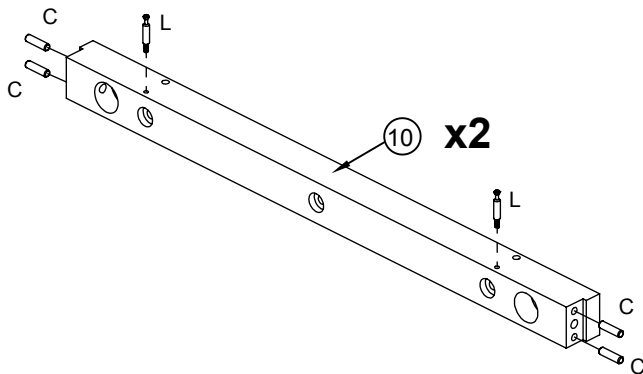
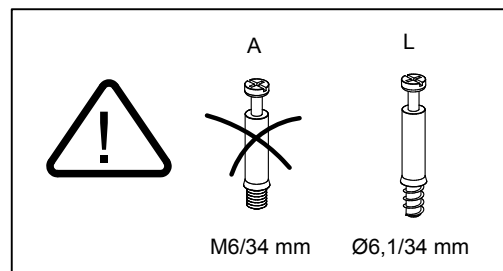
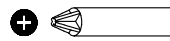
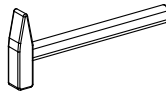
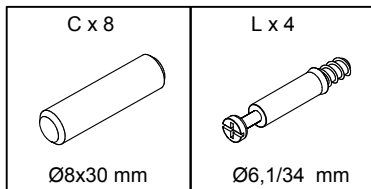


<p>A x 6</p>  <p>M6/34 mm</p>	<p>B x 32</p>  <p>Ø15x12 mm</p>	<p>C x 48</p>  <p>Ø8x30 mm</p>	<p>D x 6</p>  <p>75x29x24 mm</p>	<p>E x 54</p>  <p>Ø3.5x15 mm</p>
<p>F x 4</p>  <p>35x15x17 mm</p>	<p>G x 6</p>  <p>M6x50 mm</p>	<p>H x 6</p>  <p>Ø6 mm</p>	<p>J x 6</p>  <p>Ø6/Ø16 mm</p>	<p>K x 12</p>  <p>Ø7x50mm</p>
<p>L x 26</p>  <p>Ø6,1/34mm</p>	<p>M x 4</p>  <p>M8x80 mm</p>	<p>N x 4</p>  <p>Ø20 mm</p>	<p>P x 4</p>  <p>27x15x6 mm</p>	<p>Q x 4</p>  <p>M8/12 mm</p>
<p>R x 1</p>  <p>4 mm</p>	<p>S x 1</p>  <p>12 mm</p>	<p>T x 4</p>  <p>M4x22 mm</p>	<p>U x 8</p>  <p>30x13x17 mm</p>	<p>V x 4</p>  <p>M6/Ø15x20/6 mm</p>
<p>W x 6</p>  <p>Ø4/Ø12 mm</p>	<p>X x 2</p>  <p>85x30x20 mm</p>	<p>Y x 2</p>  <p>100x20x15mm</p>		

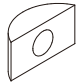

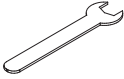
1

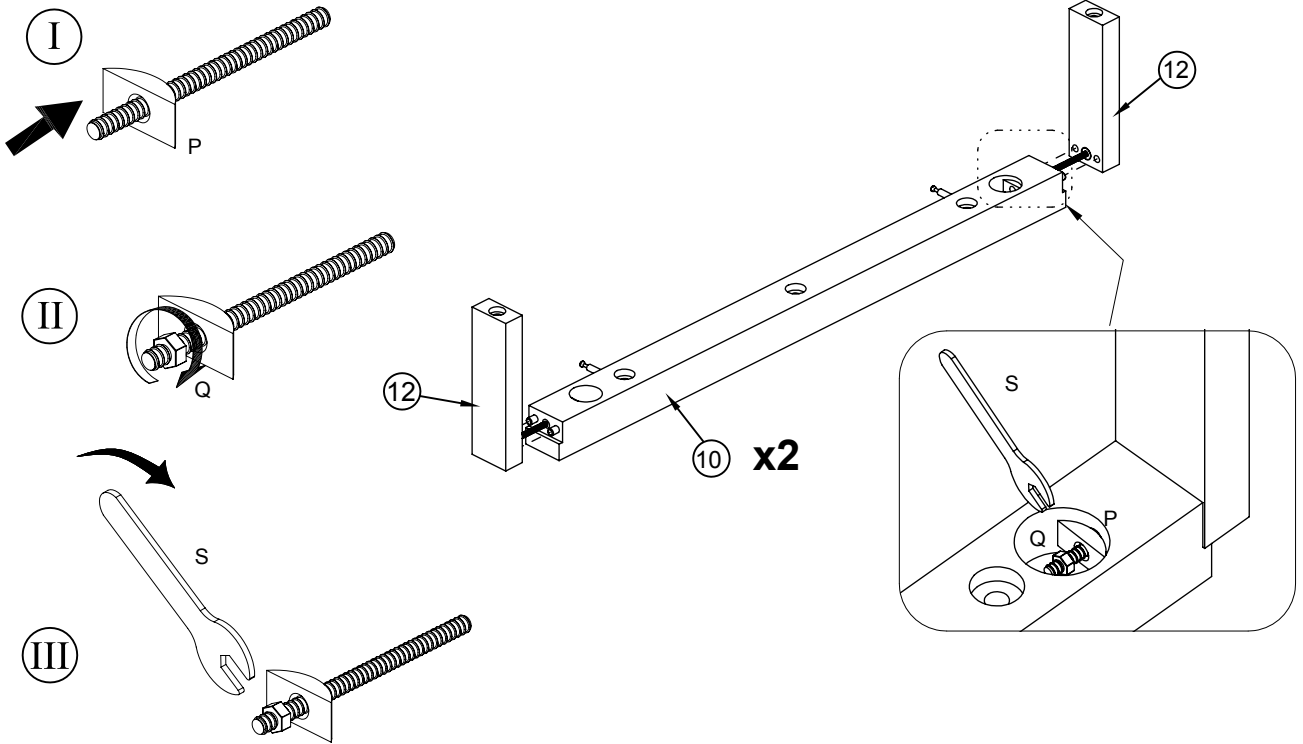


2

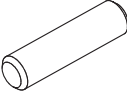


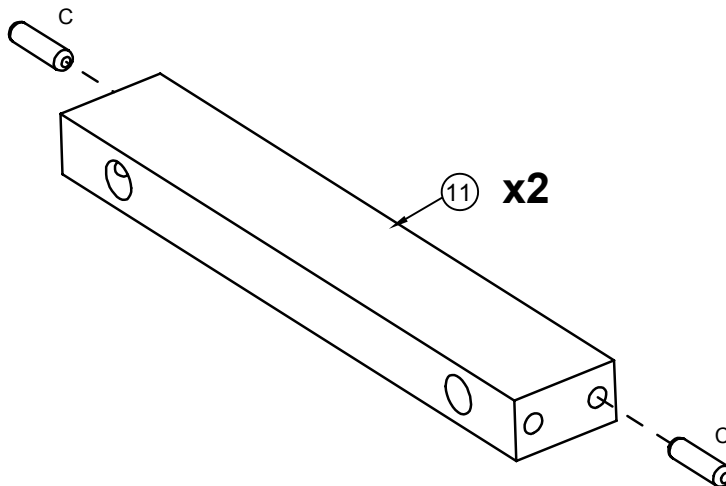
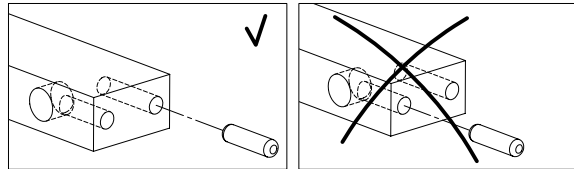
3

P x 4  27x15x6 mm	Q x 4  M8/12 mm	S x 1  12 mm
--	--	---

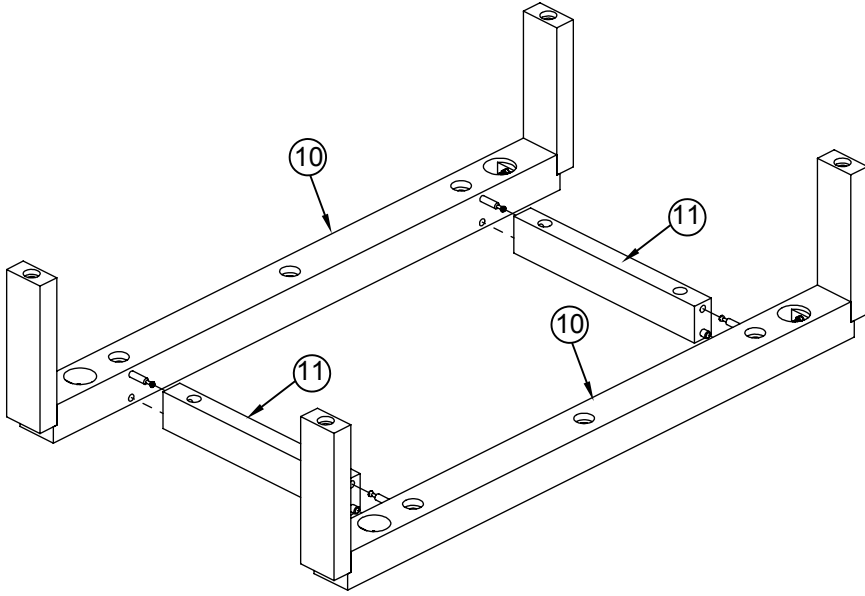


4

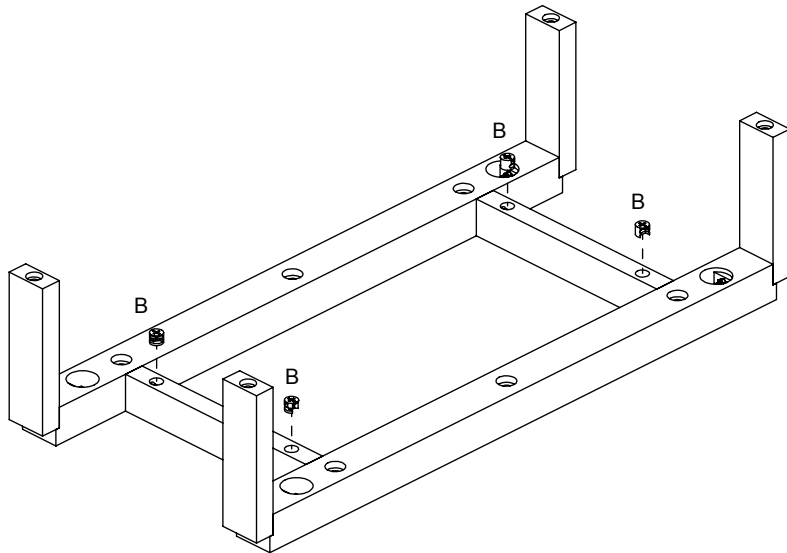
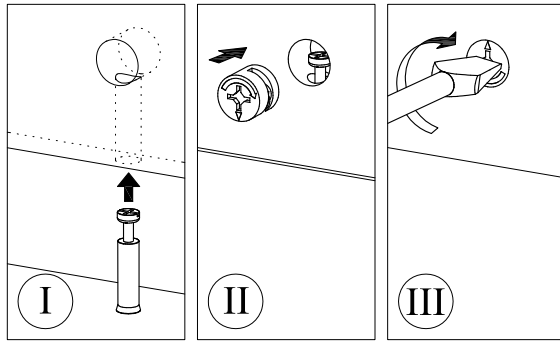
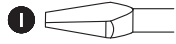
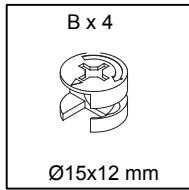
C x 4  Ø8x30 mm
--



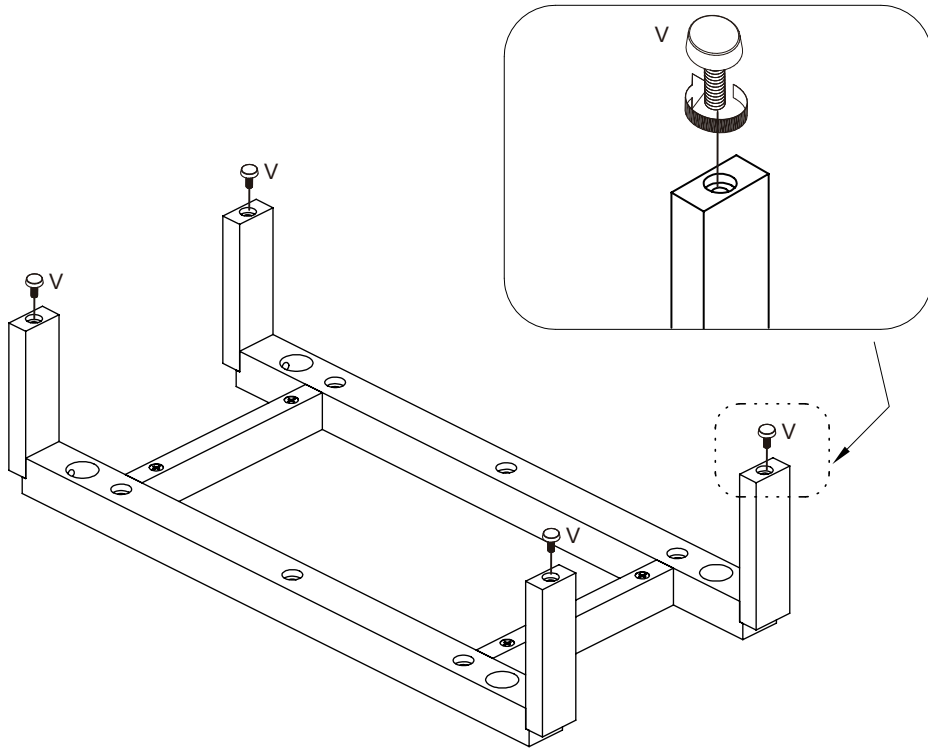
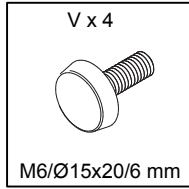
5



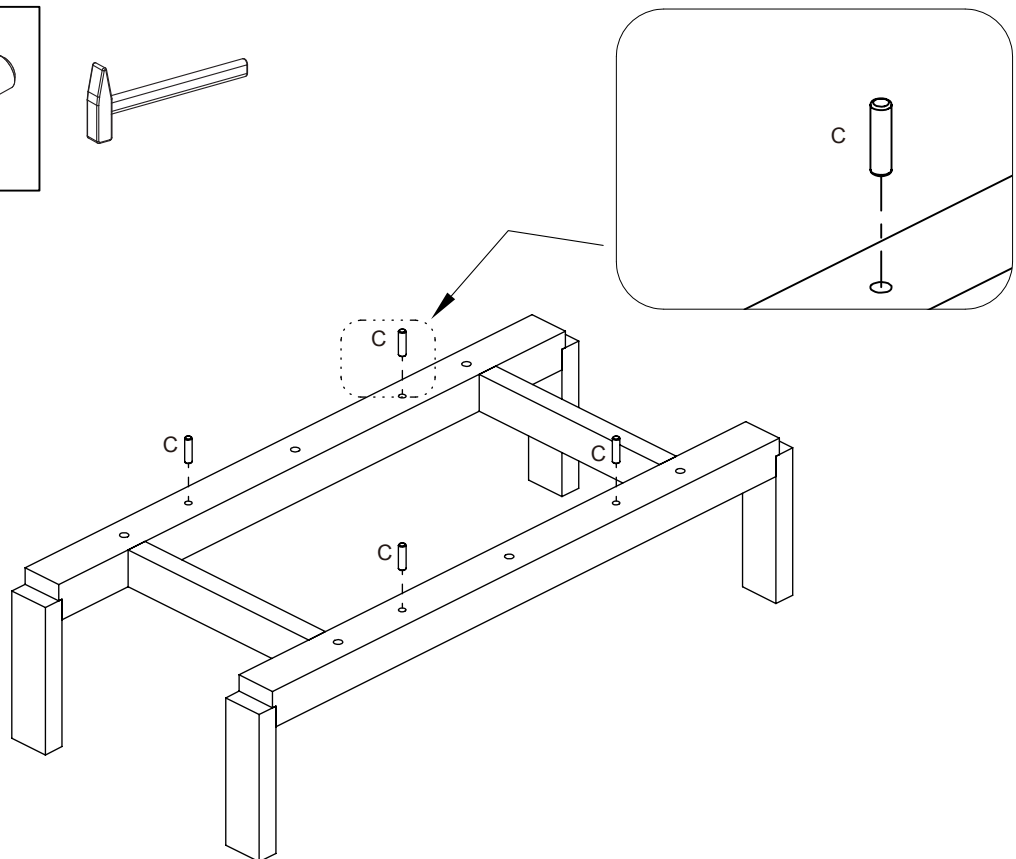
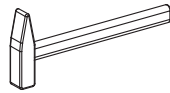
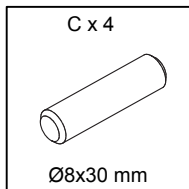
6



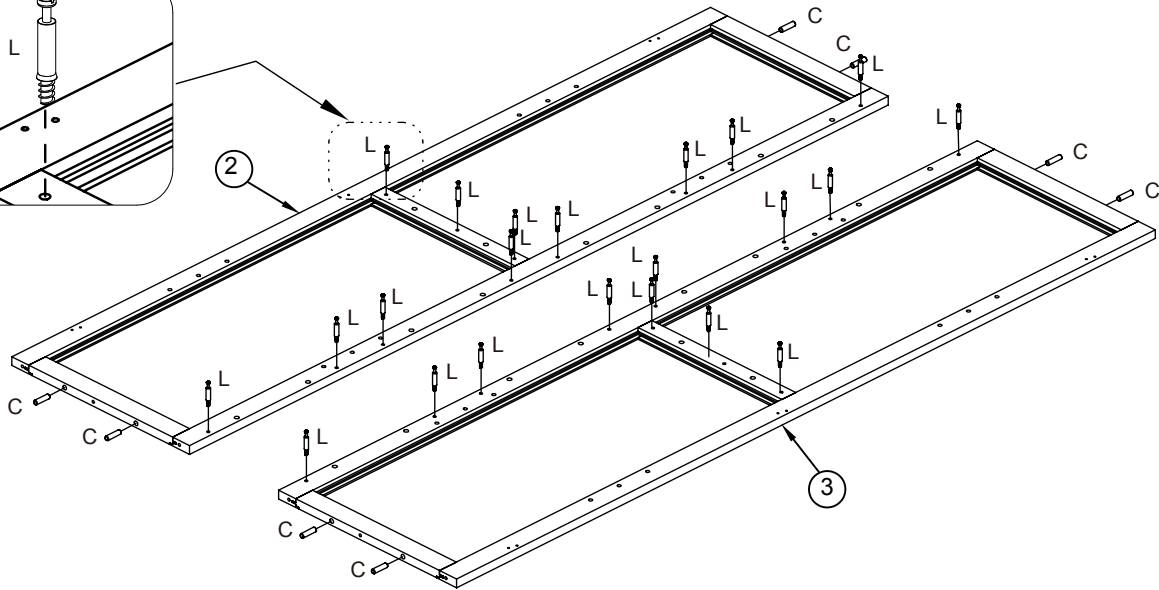
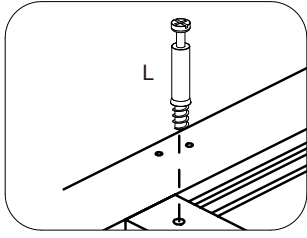
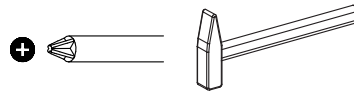
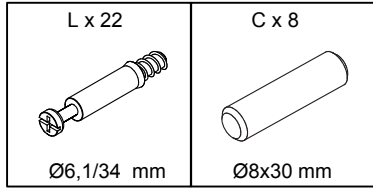
7



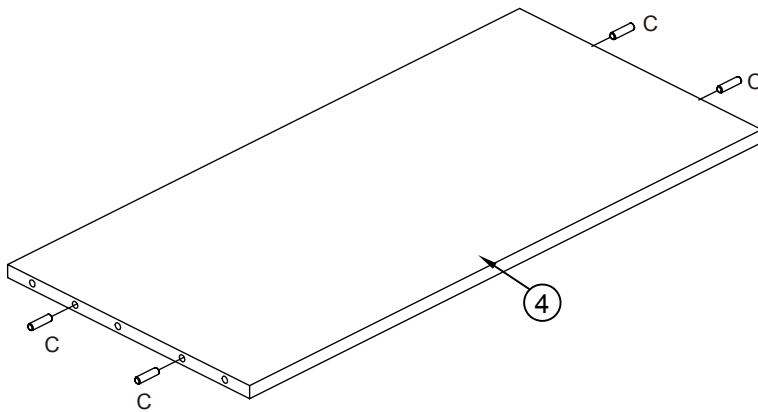
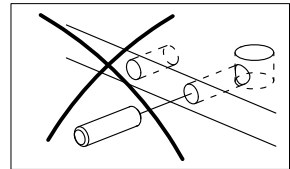
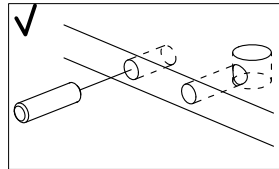
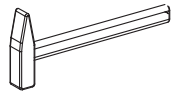
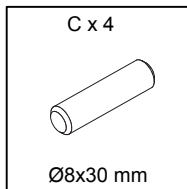
8



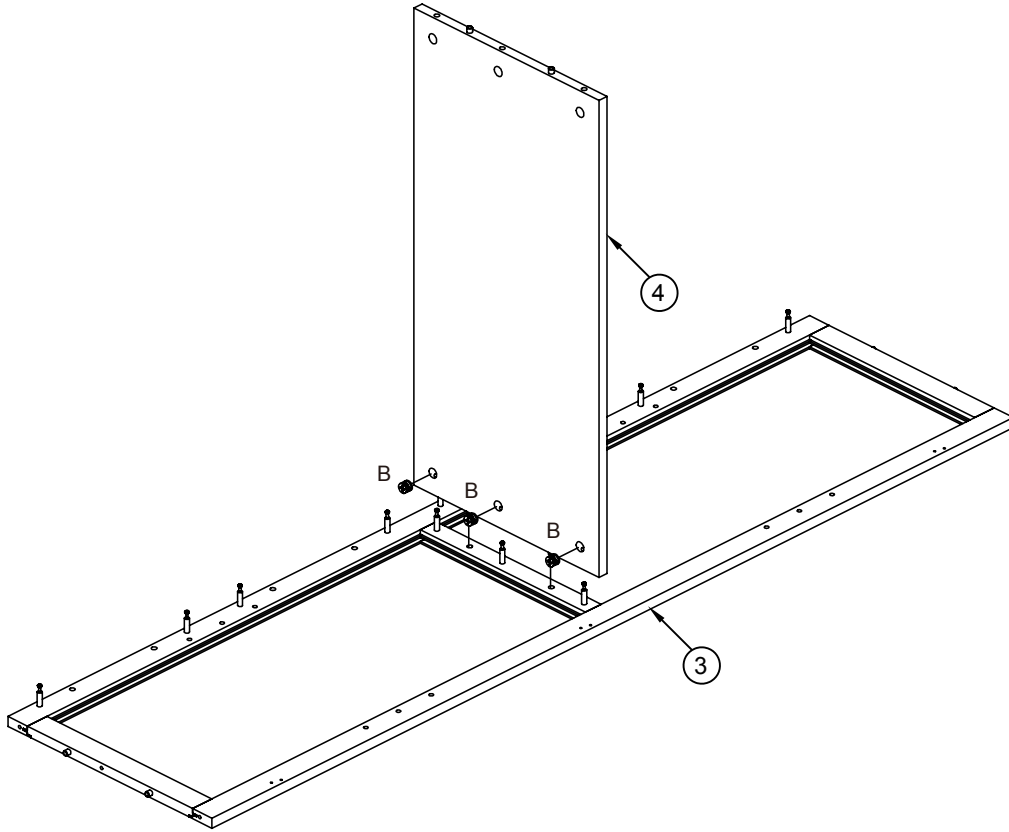
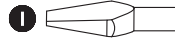
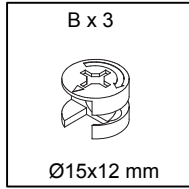
9



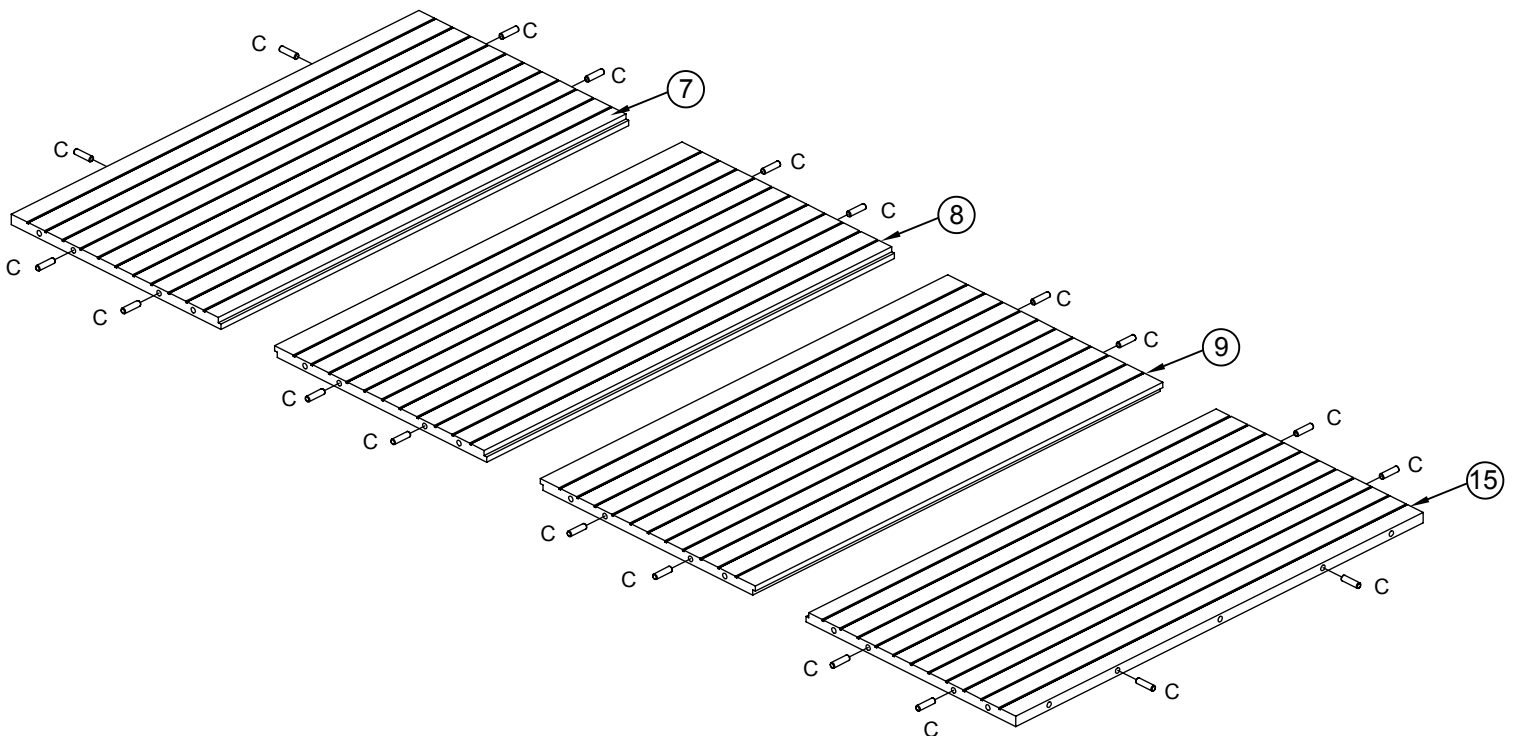
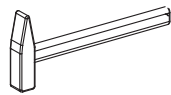
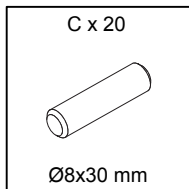
10



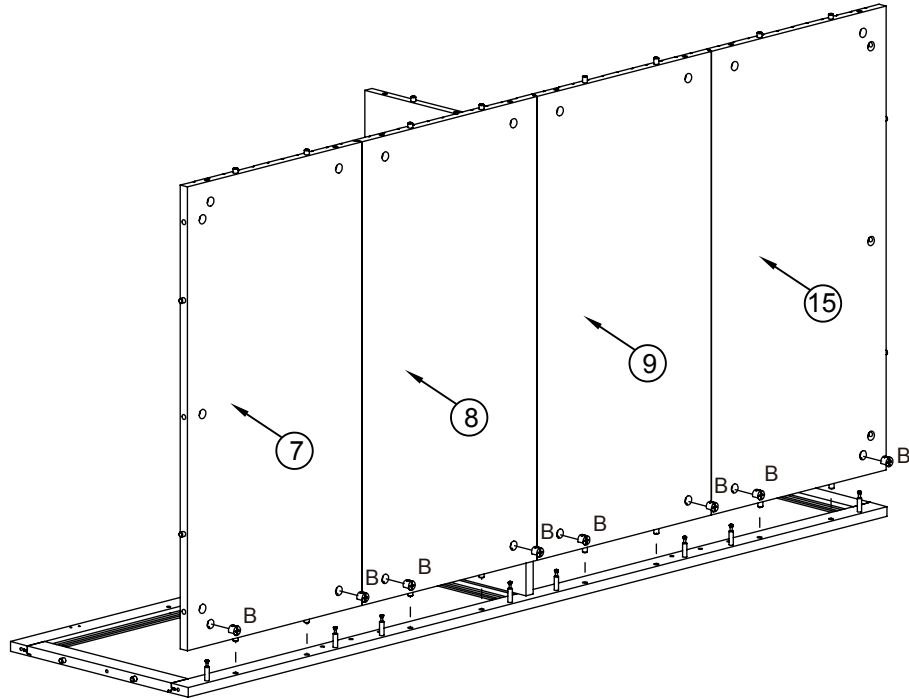
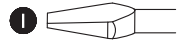
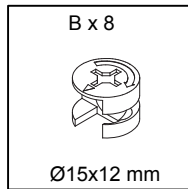
11



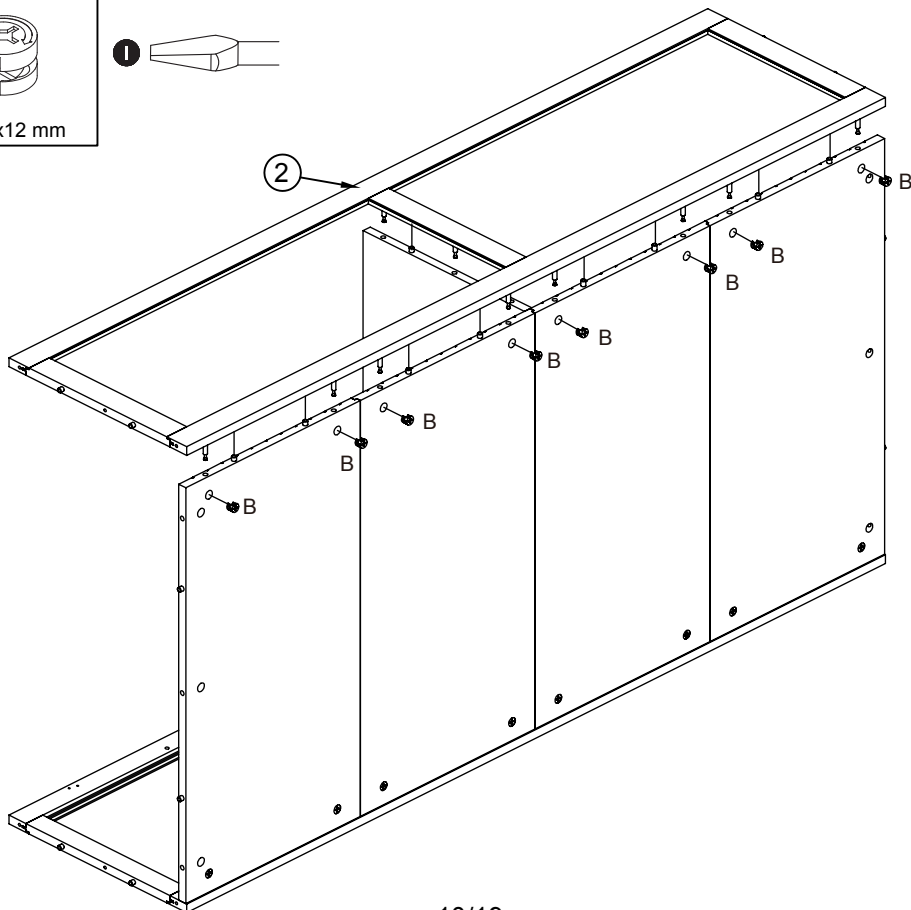
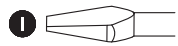
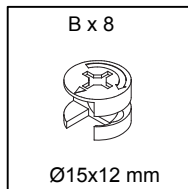
12



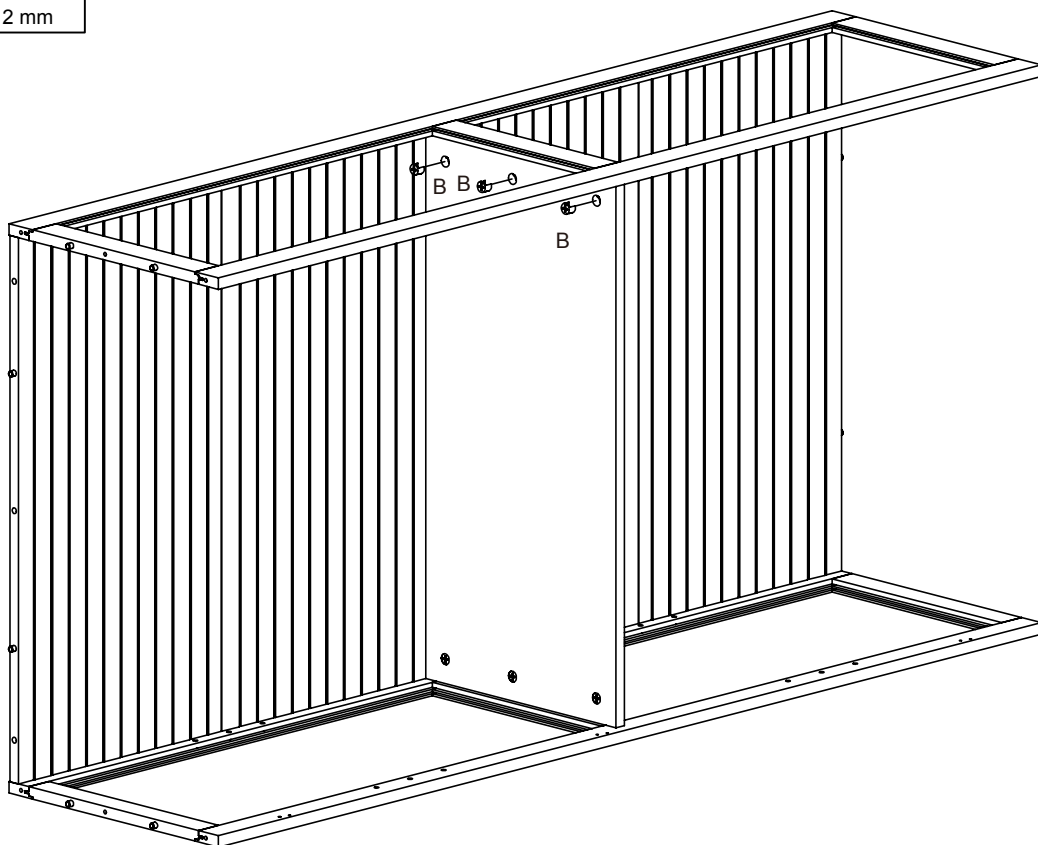
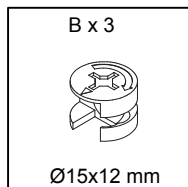
13



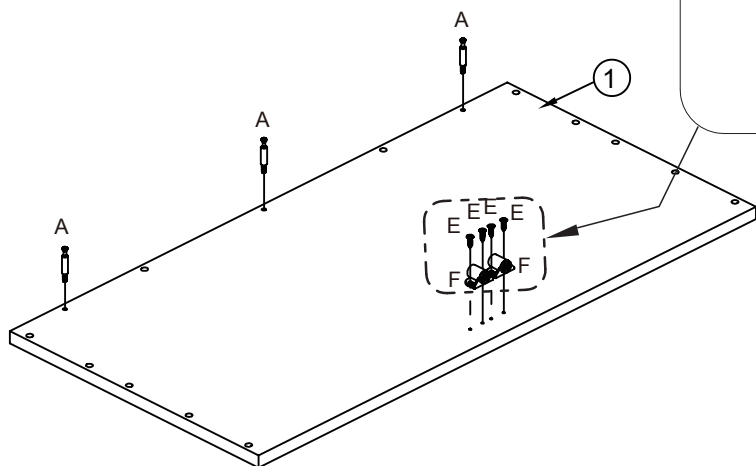
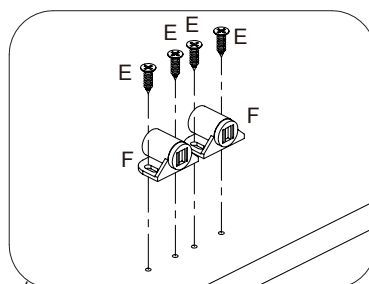
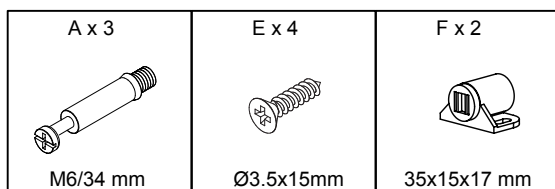
14



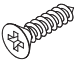

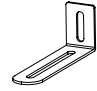
15

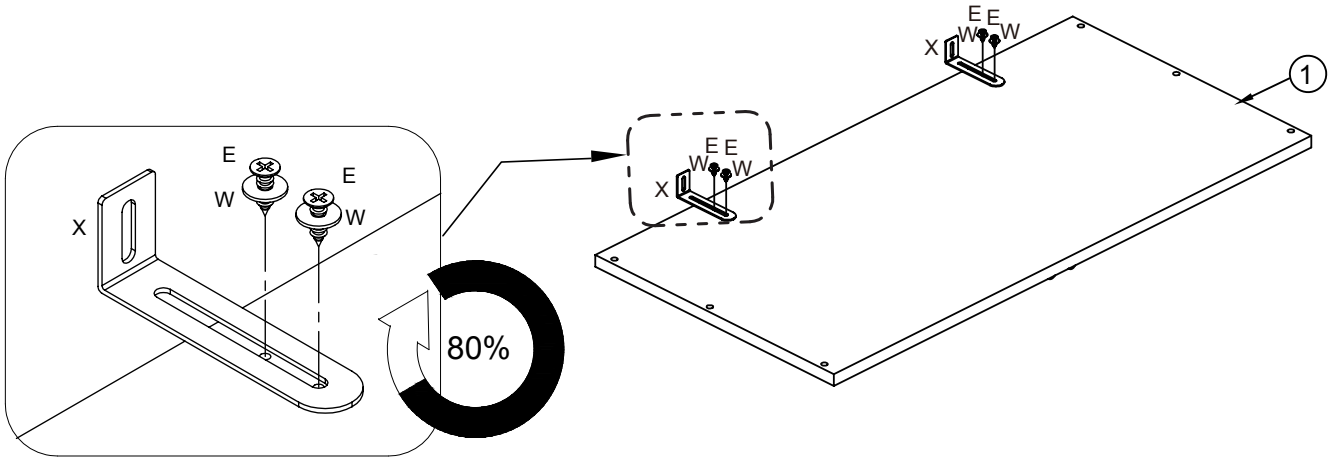
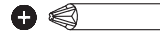


16

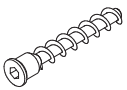

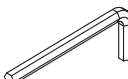


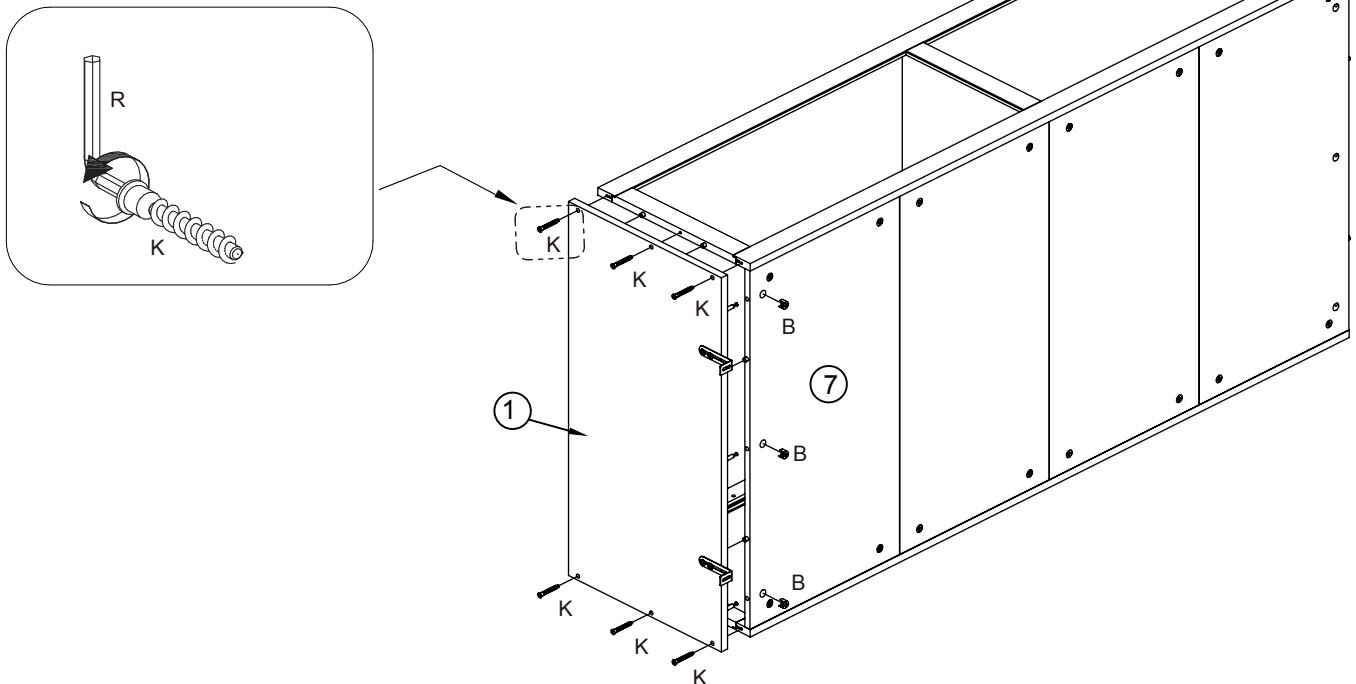
17

E x 4	W x 4	X x 2
		
Ø3.5x15mm	Ø4/Ø12 mm	85x30x20 mm

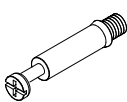




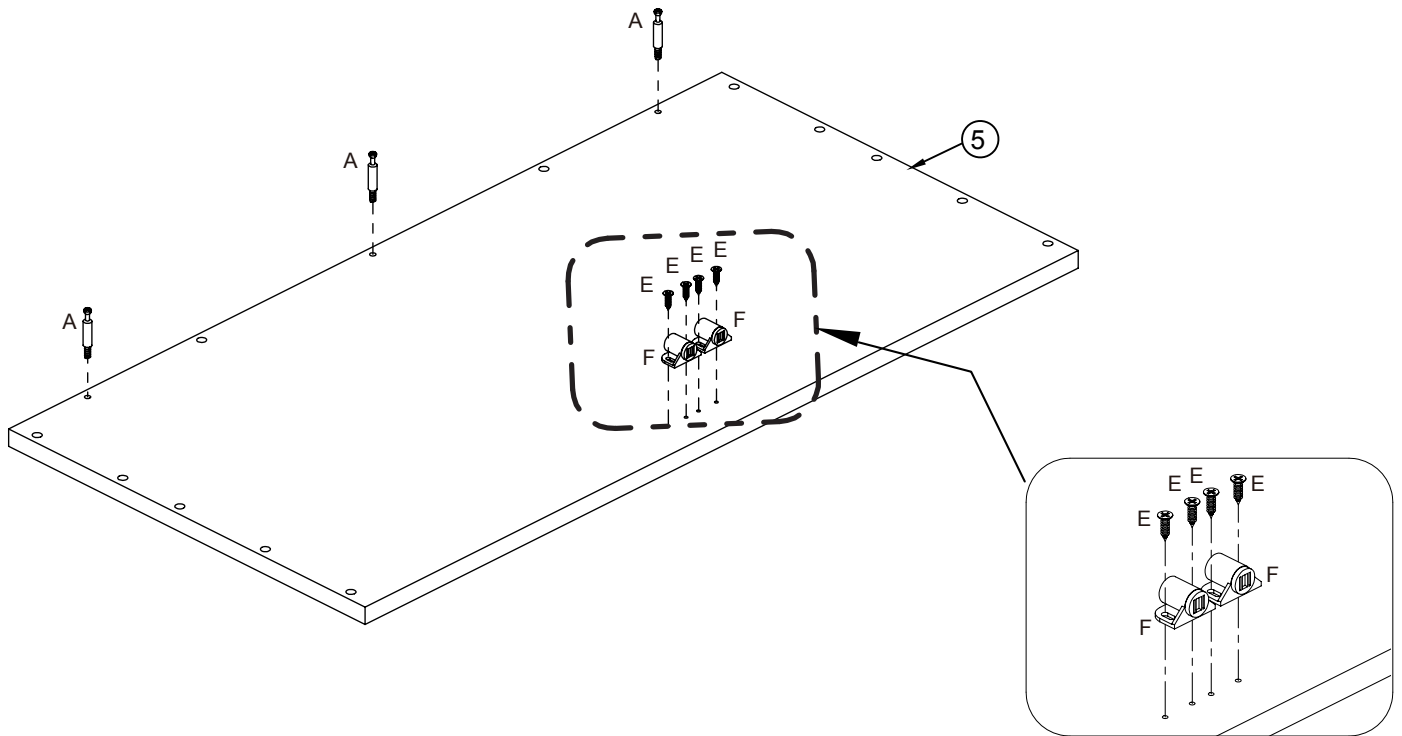
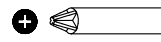
18

K x 6	B x 3	R x 1
		
Ø7x50 mm	Ø15x12 mm	4 mm

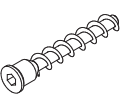
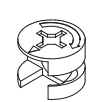
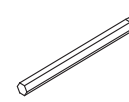


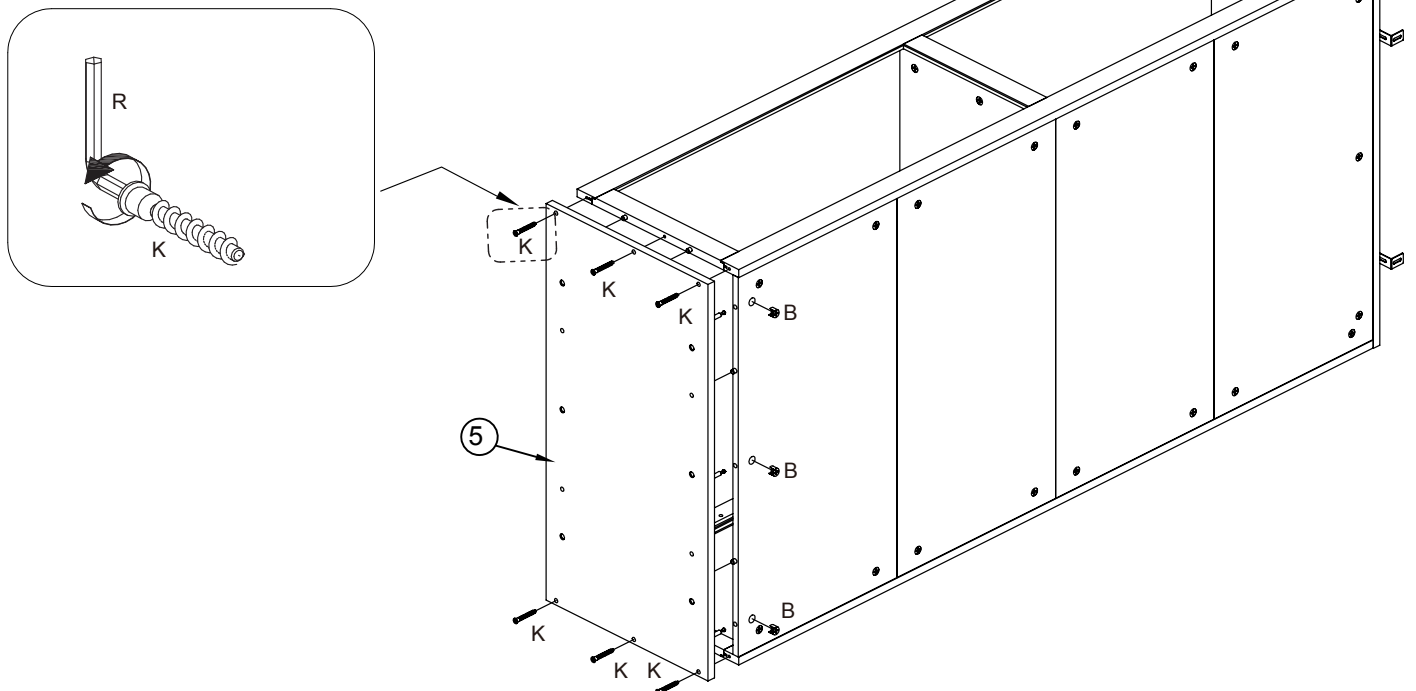
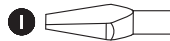
19

A x 3	E x 4	F x 2
		
M6/34 mm	Ø3.5x15mm	35x15x17 mm

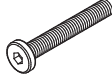

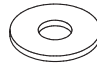
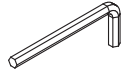


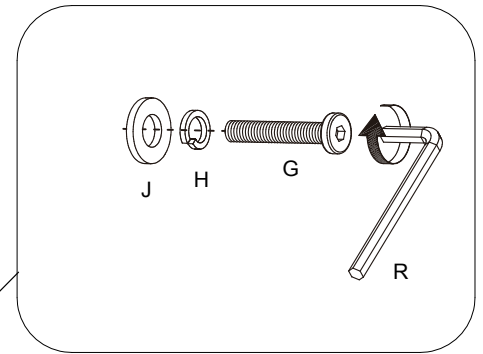
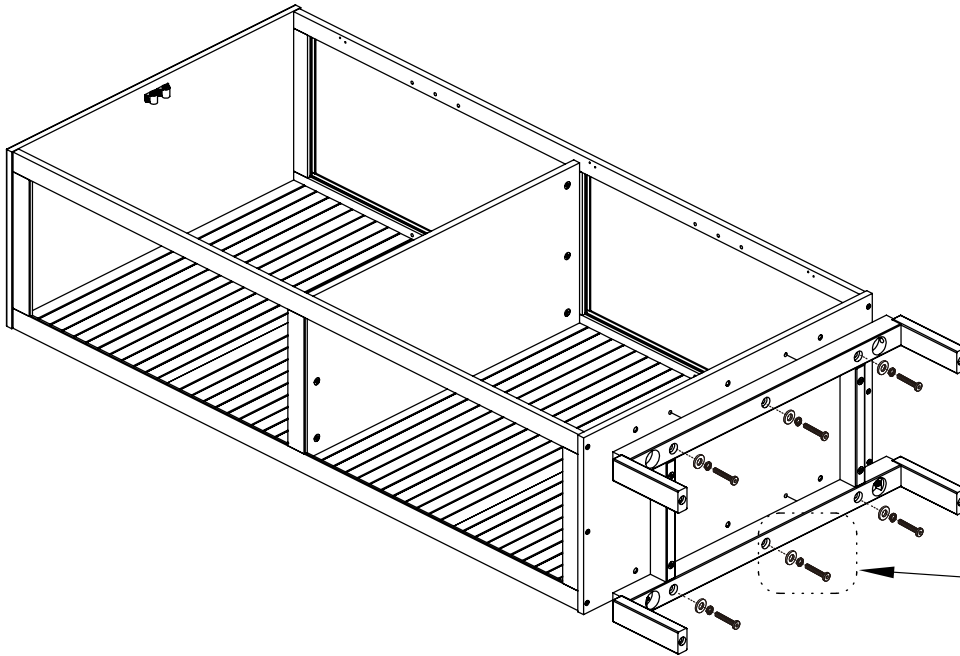
20

K x 6	B x 3	R x 1
		
Ø7x50 mm	Ø15x12 mm	4 mm

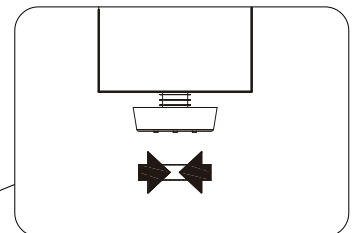
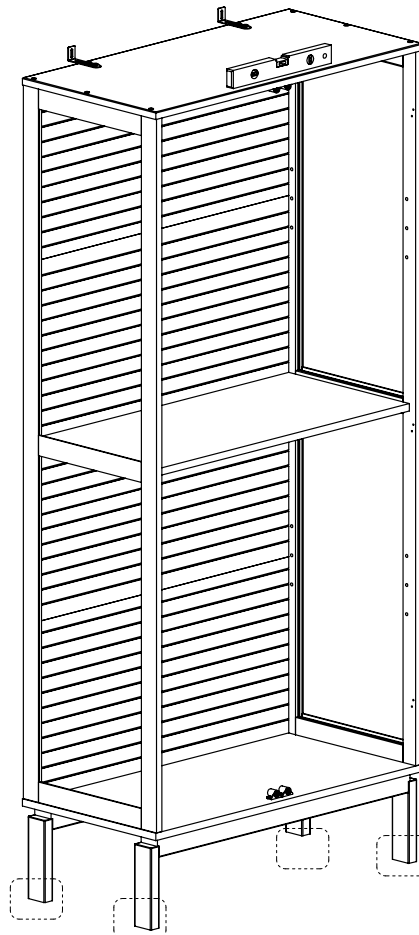
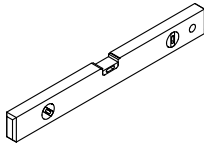


21

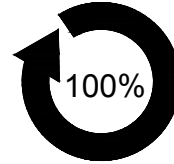
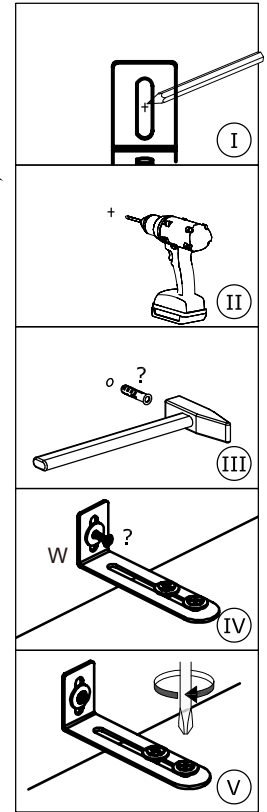
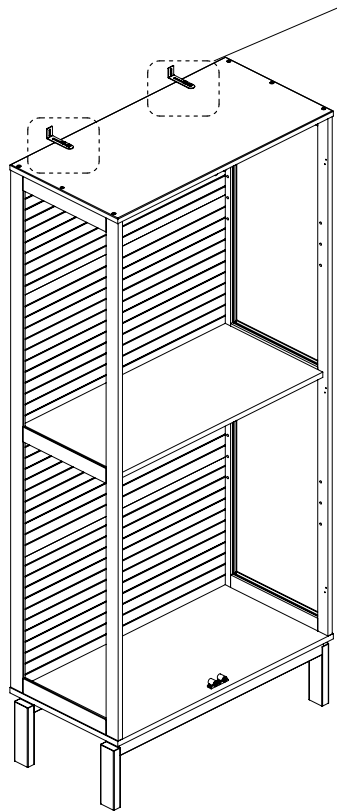
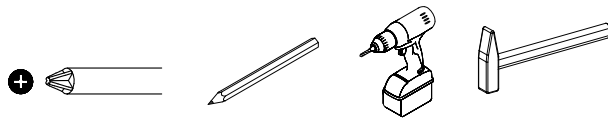
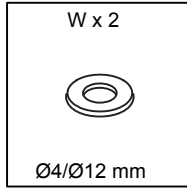
G x 6  M6x50mm	H x 6  Ø6mm	J x 6  Ø6/Ø15 mm	R x 1  4 mm
---	--	---	--



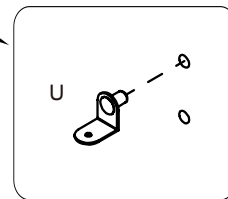
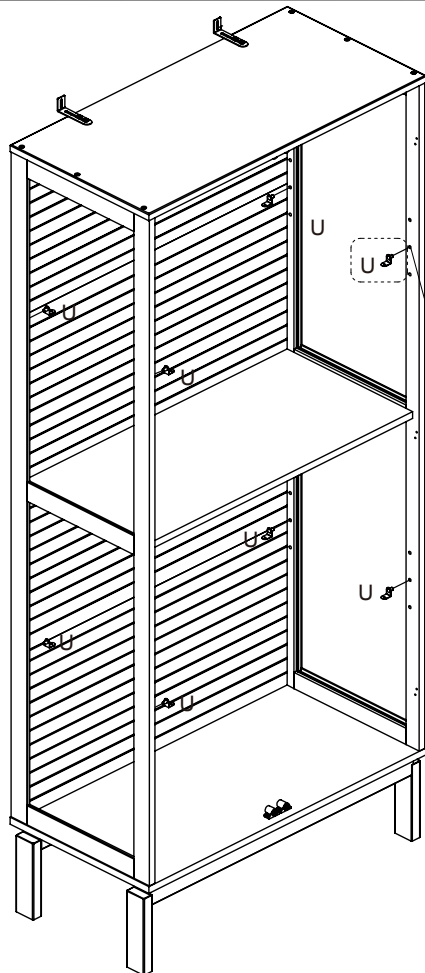
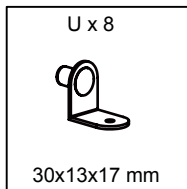
22



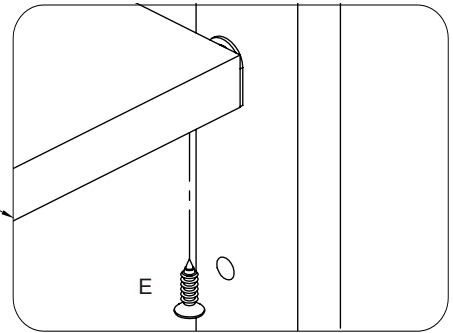
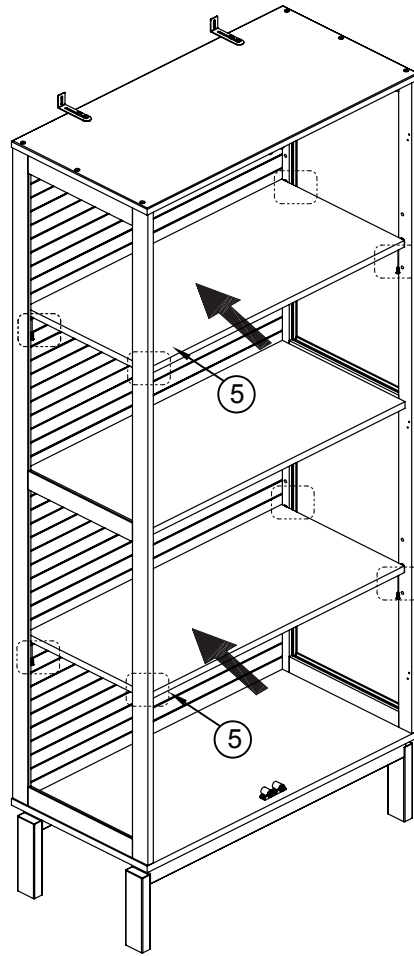
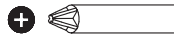
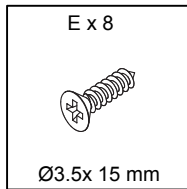
23



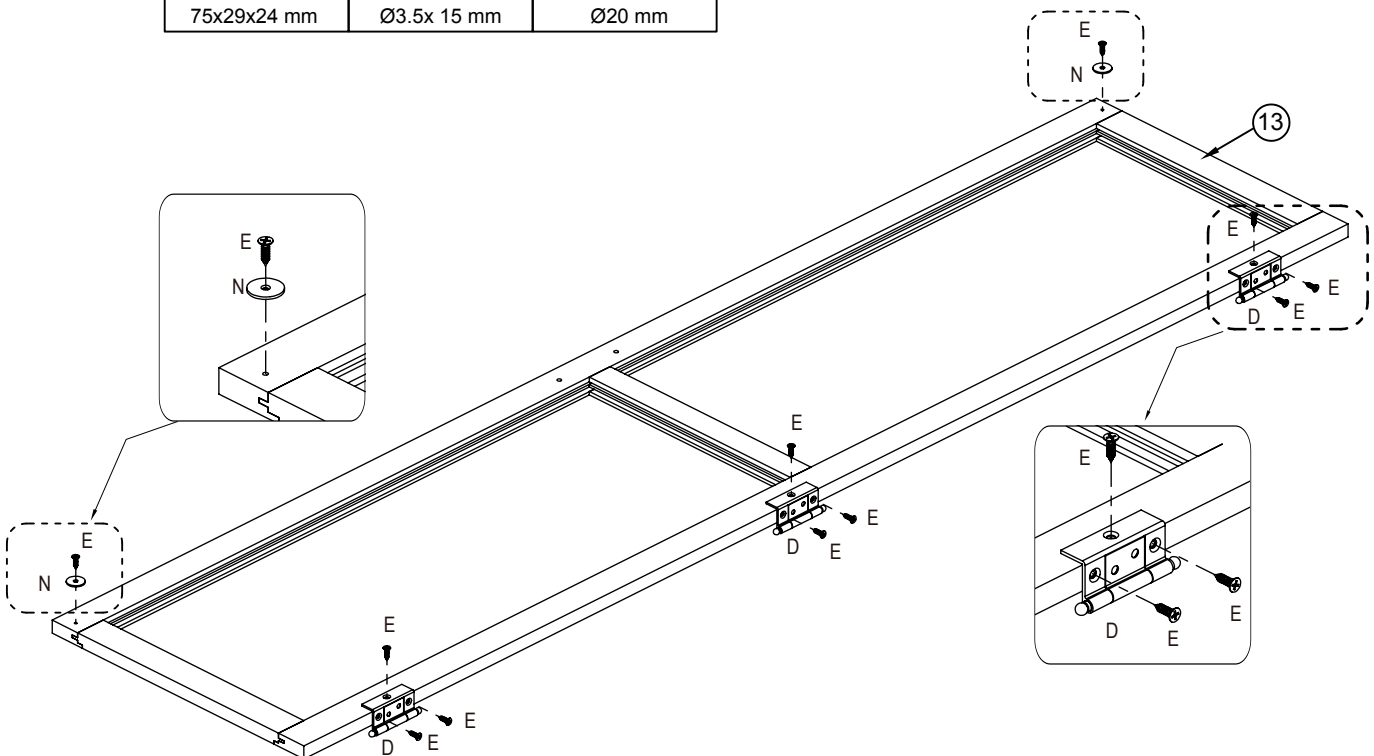
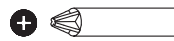
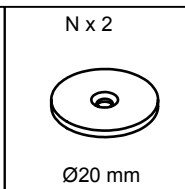
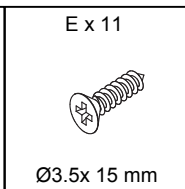
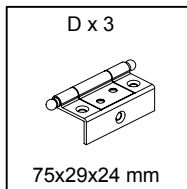
24



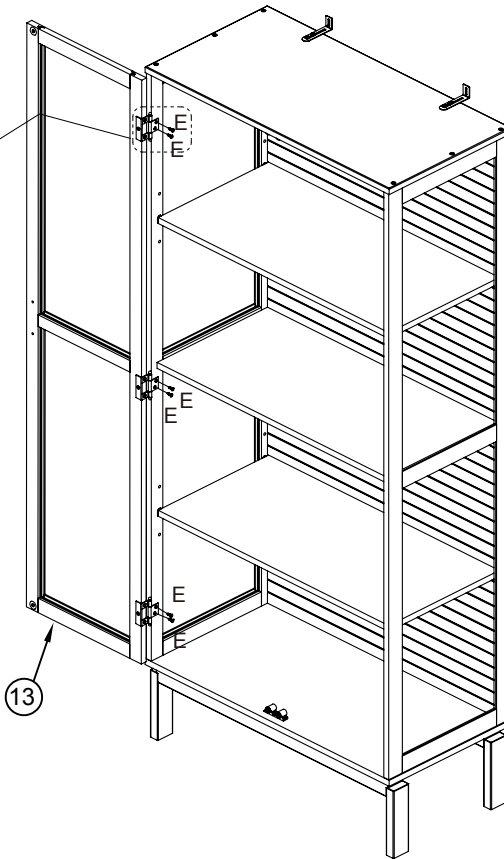
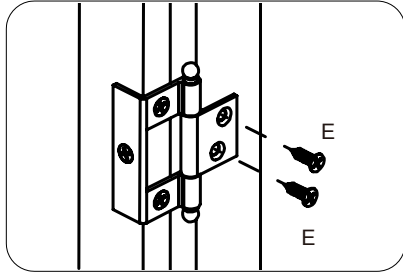
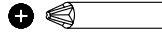
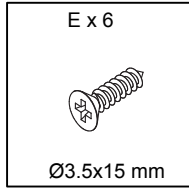
25



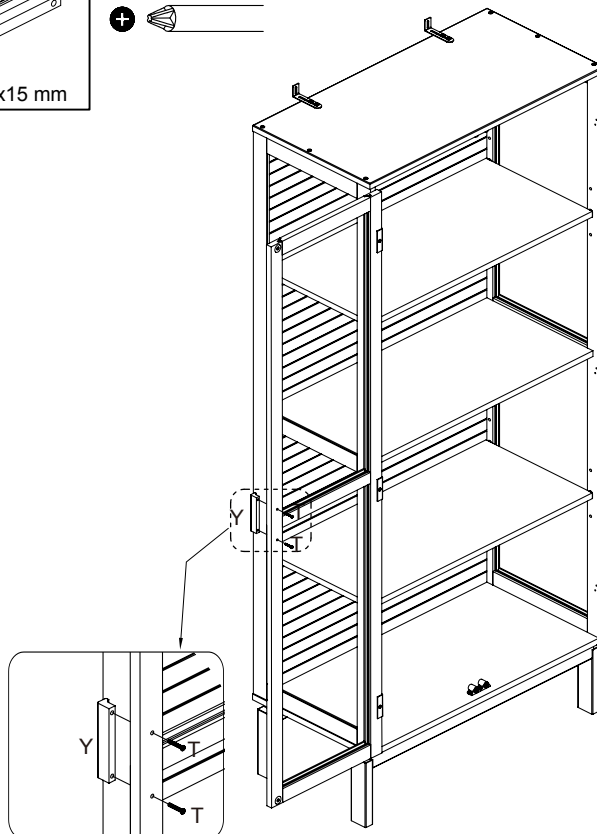
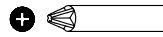
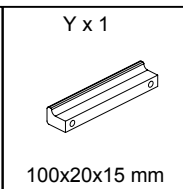
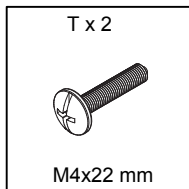
26



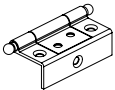


27

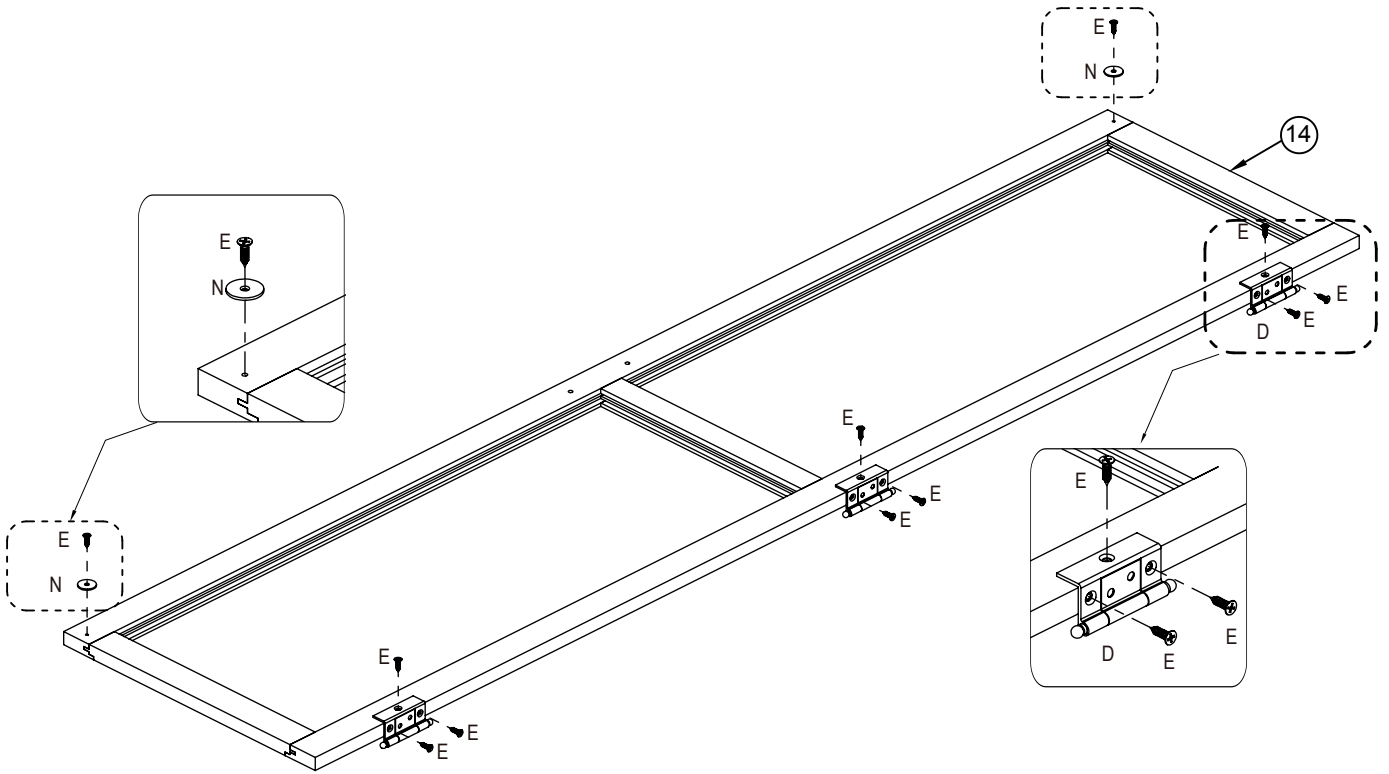
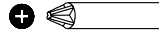


28




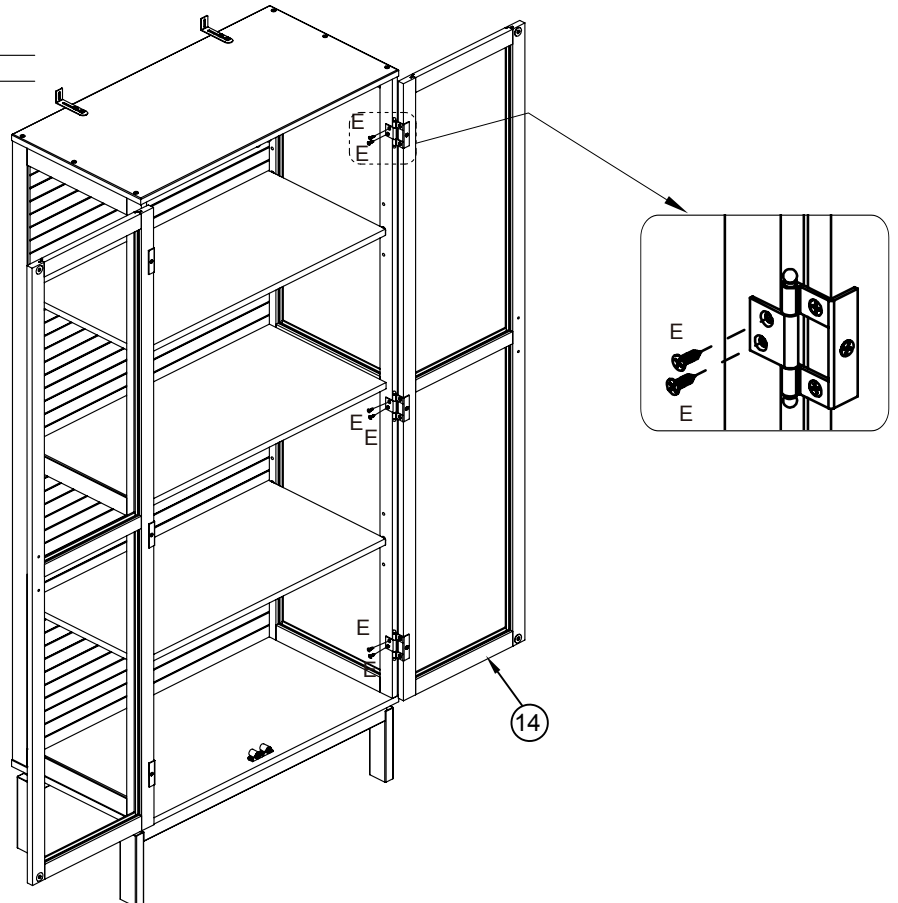
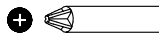
29

D x 3  Ø3.5x15 mm	E x 11  Ø3.5x15 mm	N x 2  Ø3.5x15 mm
--	---	--

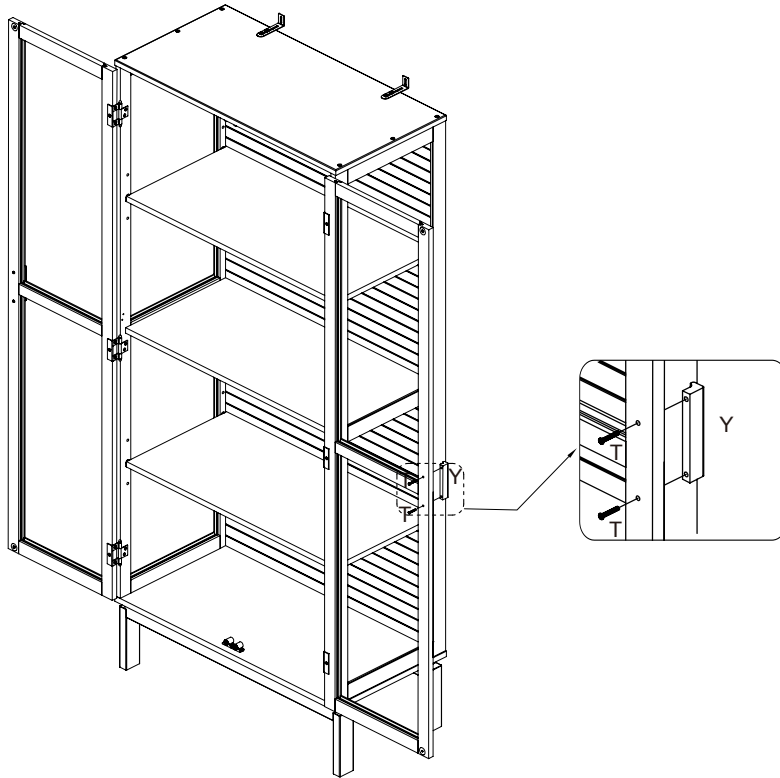
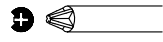
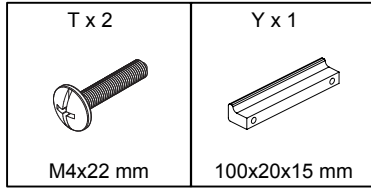


30

E x 6  Ø3.5x15 mm
--



31



32

