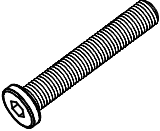

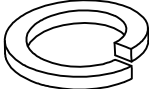

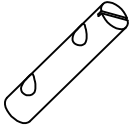
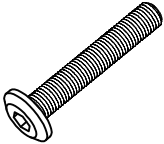

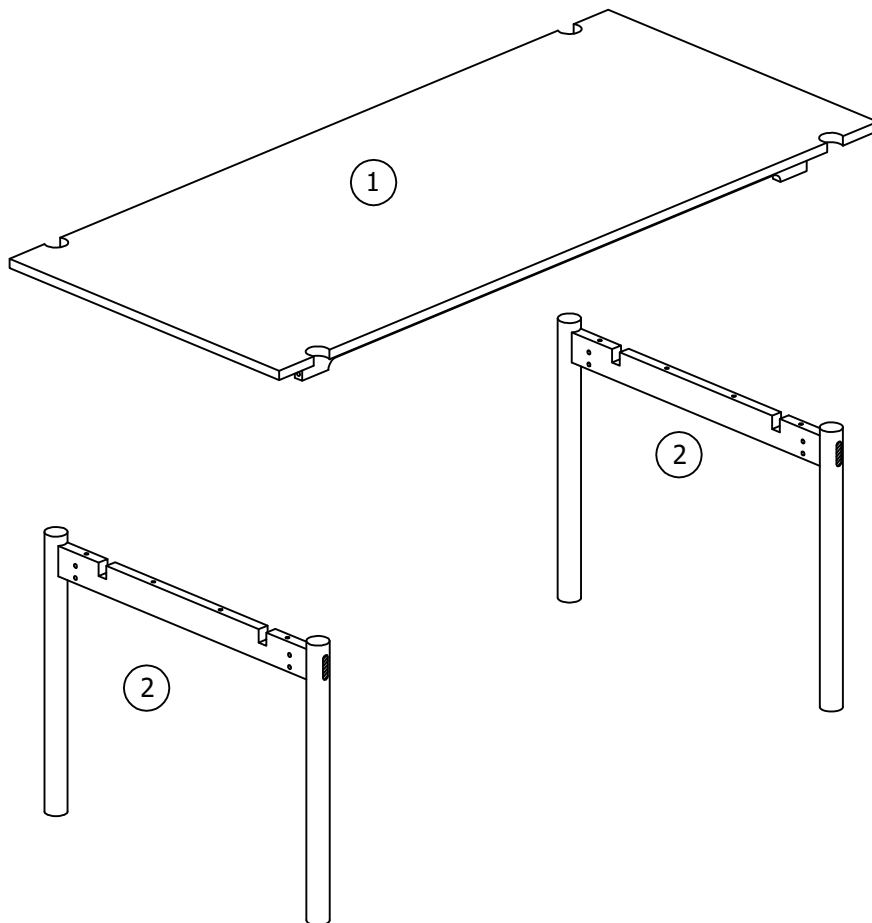


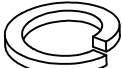

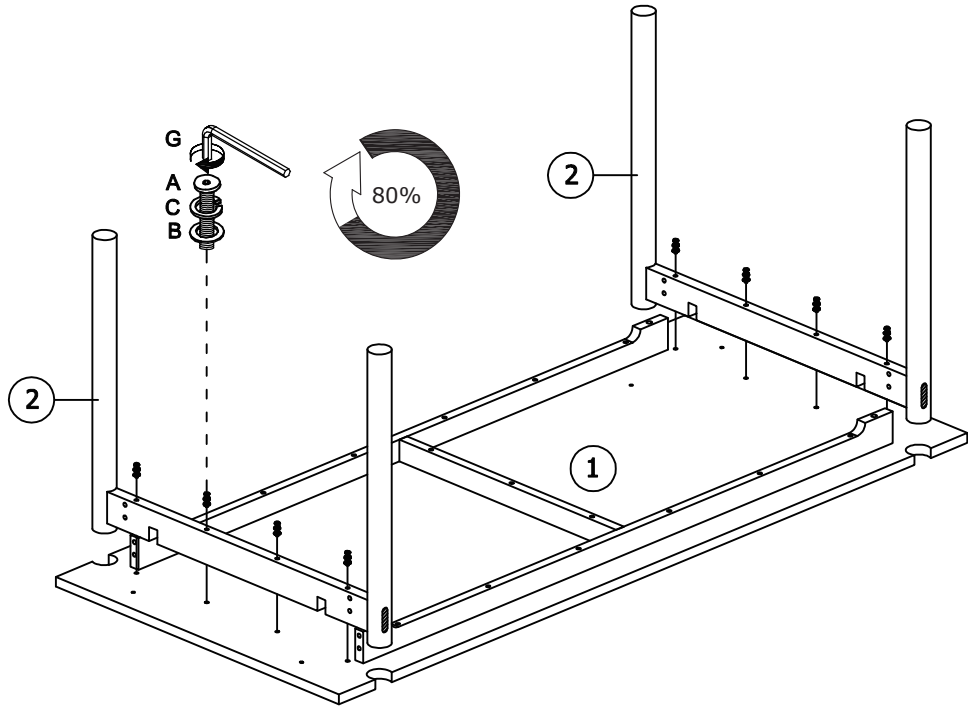


<p>A × 8</p>  <p>M8×90 mm</p>	<p>B × 8</p>  <p>Ø8/Ø16 mm</p>	<p>C × 8</p>  <p>Ø8 mm</p>	<p>D × 4</p>  <p>Ø45×3 mm</p>	<p>E × 4</p>  <p>Ø12×60 mm</p>
<p>F × 8</p>  <p>M8×80 mm</p>	<p>G × 1</p>  <p>5 mm</p>			


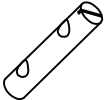


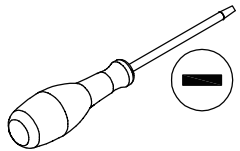


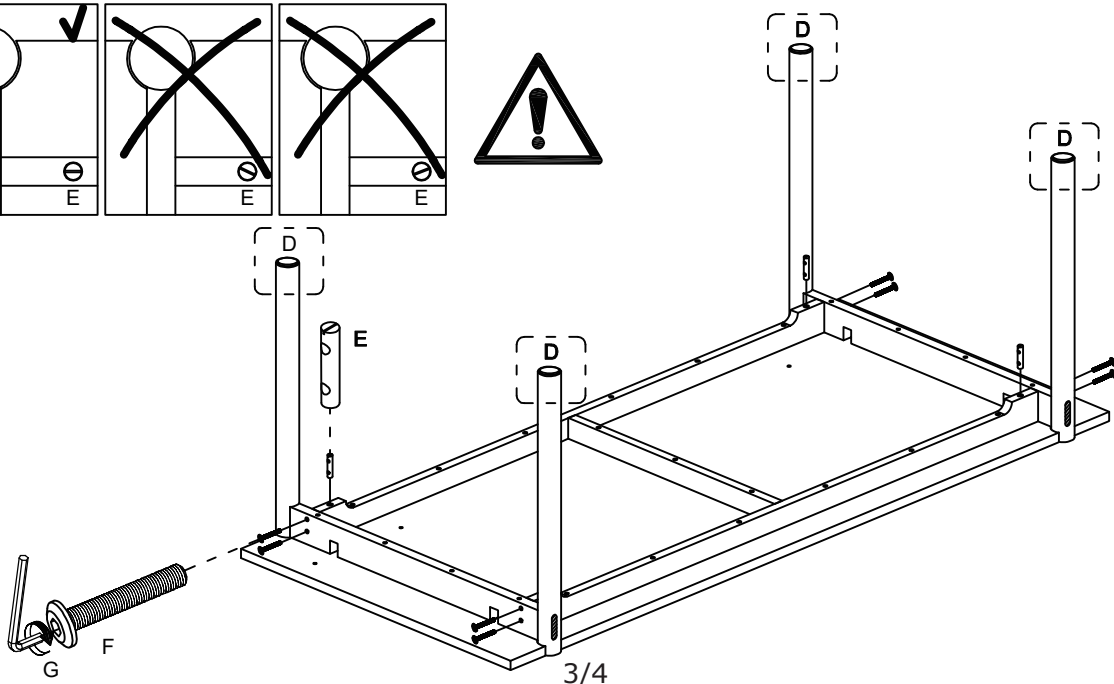
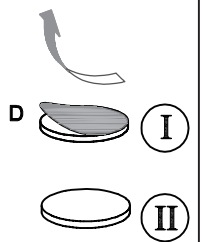
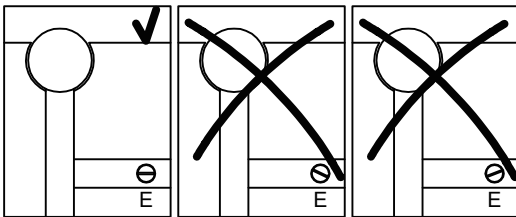
1

A x 8  M8x90 mm	B x 8  Ø8/Ø16 mm	C x 8  Ø8 mm	G x 1  5 mm	
--	---	---	---	--

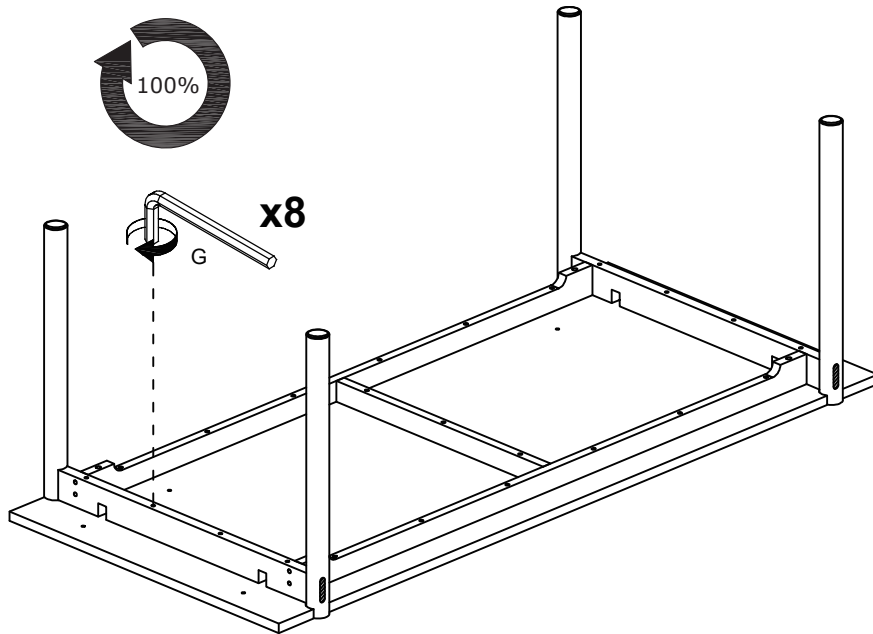
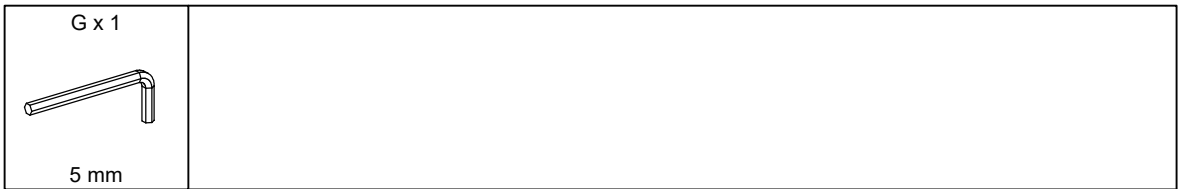


2

D x 4  Ø45x3 mm	E x 4  Ø12x60 mm	F x 8  M8x80 mm	G x 1  5 mm	
--	---	--	---	---



3



4

