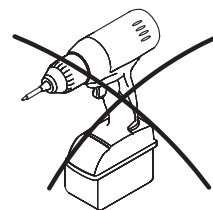
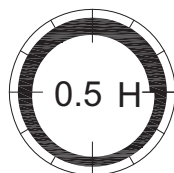
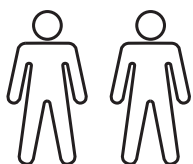
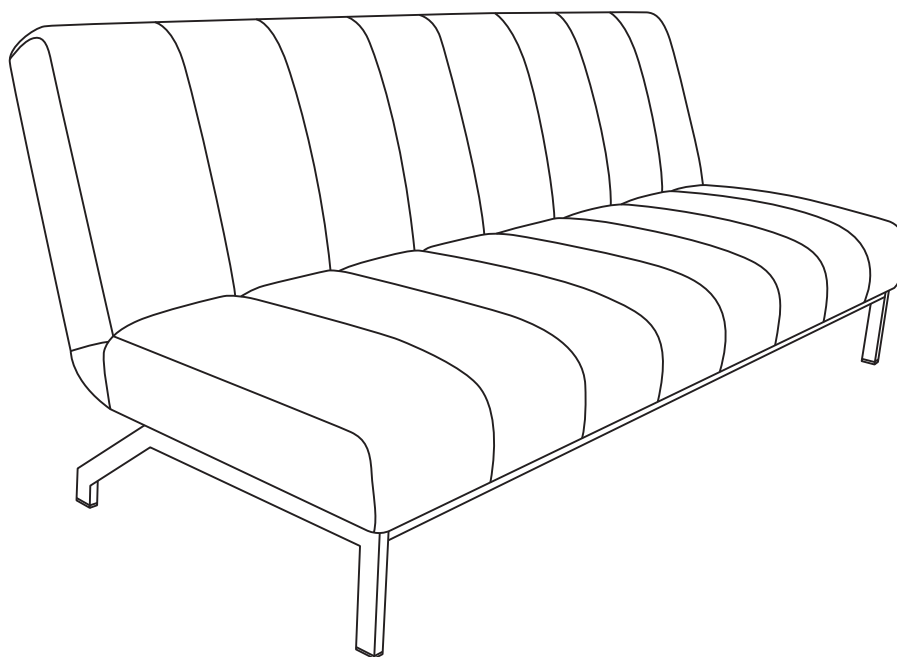
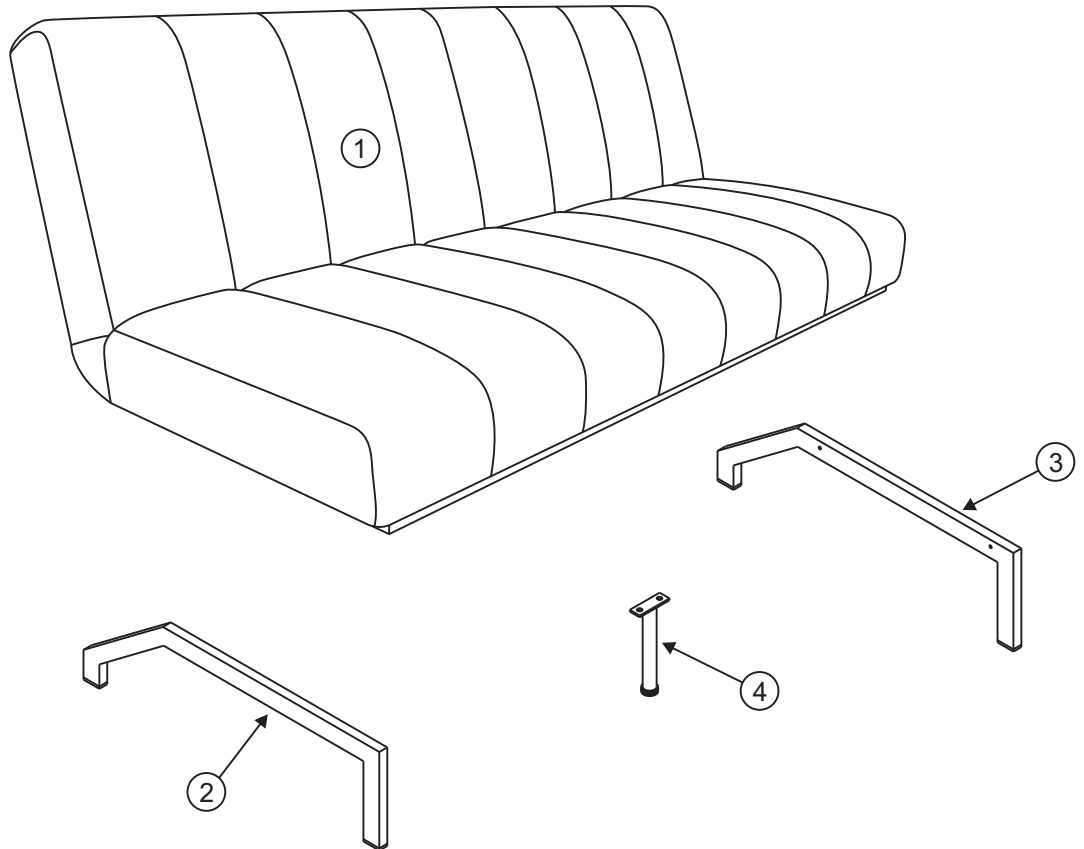


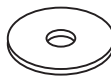




# CAIX









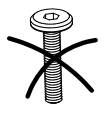
			✓
①	1	1980x1200x220 mm	
②	1	745x20x215 mm	
③	1	745x20x215 mm	
④	1	70x25/Φ25x180 mm	

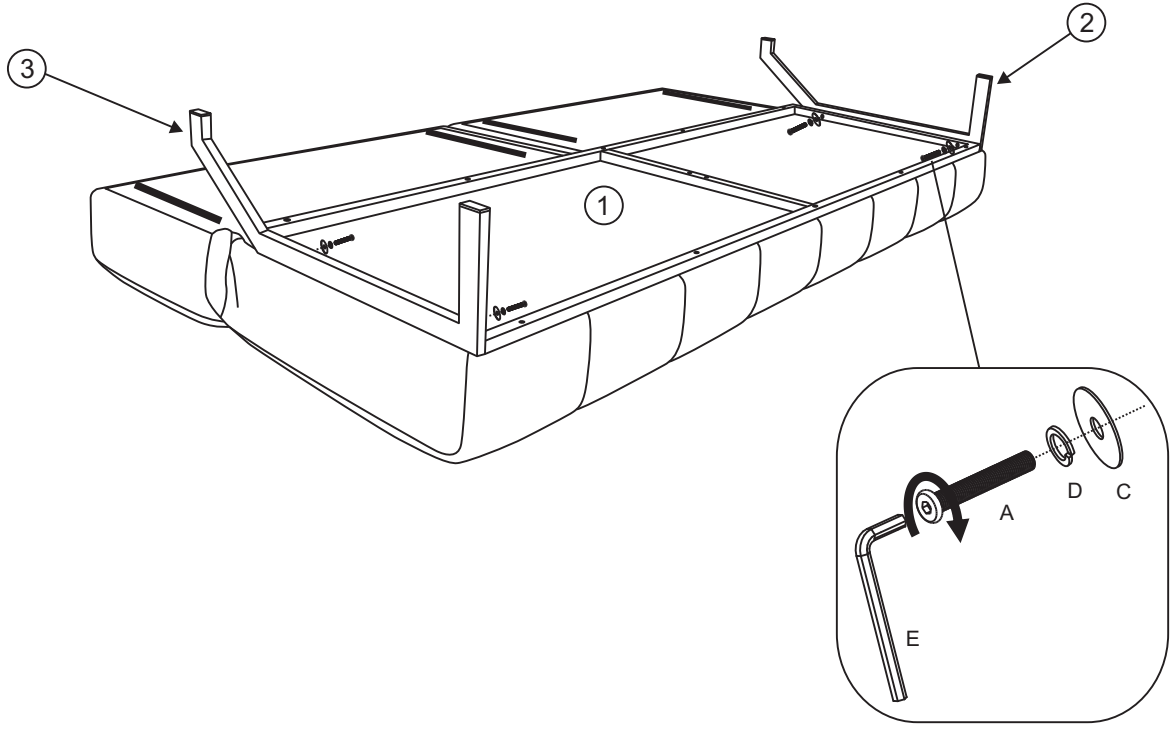


A x 4	B x 2	C x 4	D x 4	E x 1
				
M6x38 mm	M6x30 mm	Φ6.5/Φ22 mm	Φ6 mm	4 mm



# 1

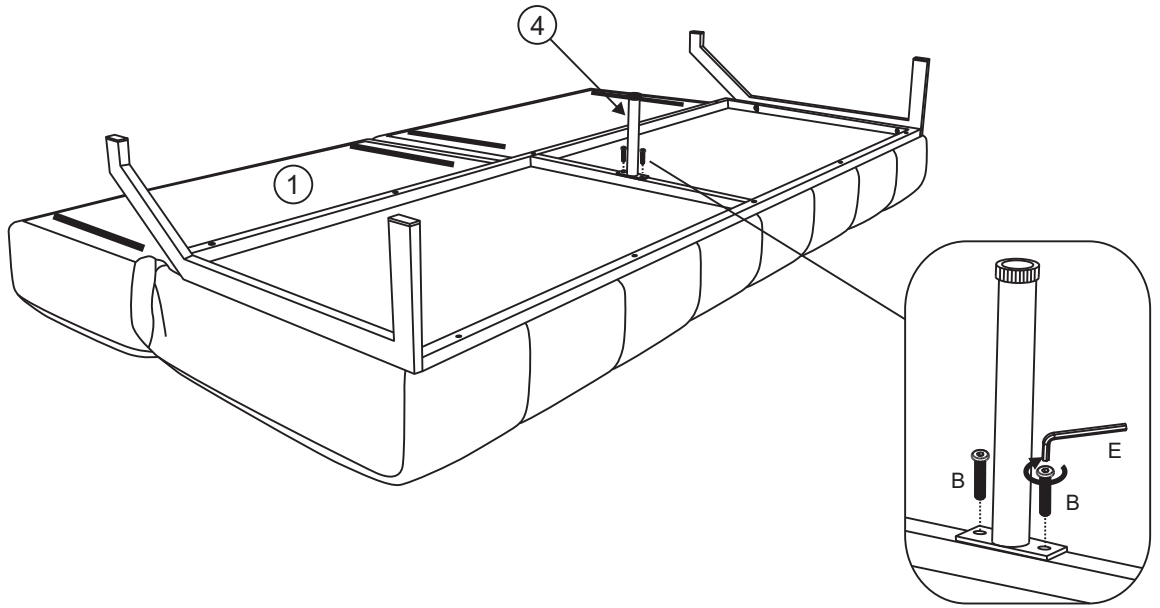
A x 4  M6x38 mm	C x 4  Φ6.5/Φ22 mm	D x 4  Φ6 mm	E x 1  4 mm
--	---	---	--

 A  M6x38 mm B  M6x30 mm

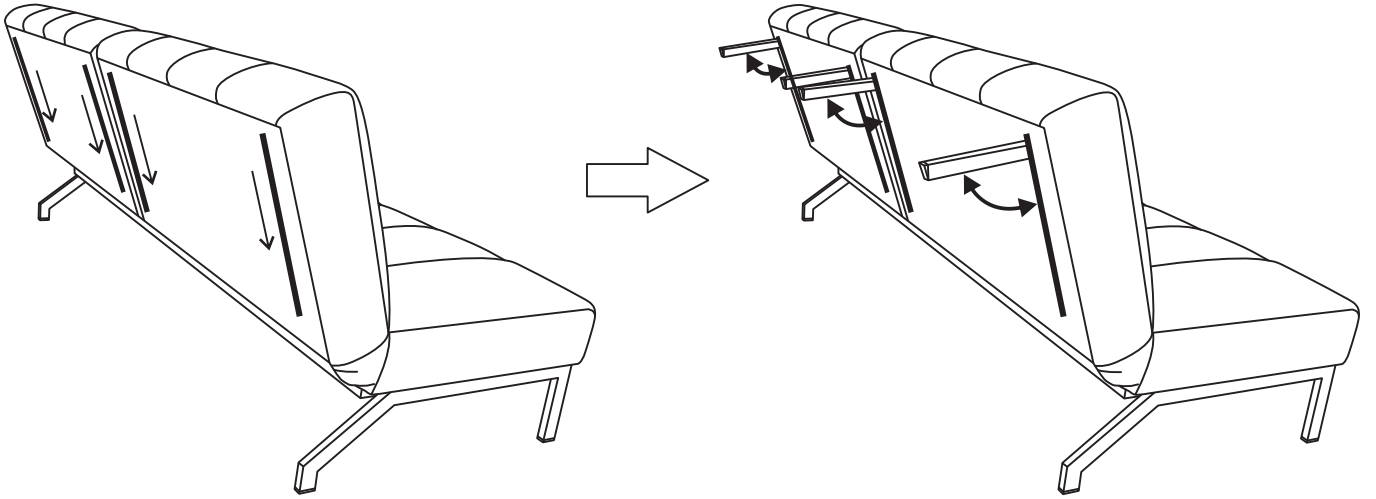


# 2

B x 2  M6x30 mm	E x 1  4 mm
--	--

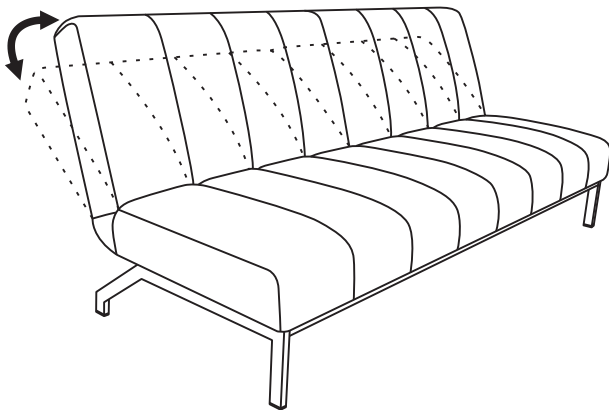


3

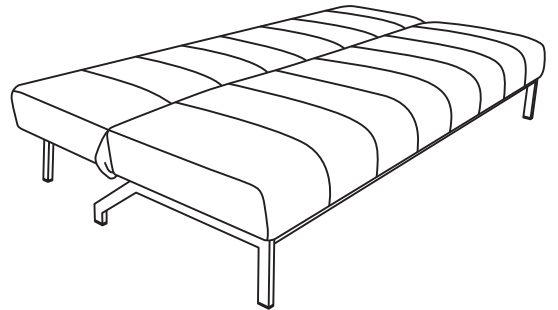


4

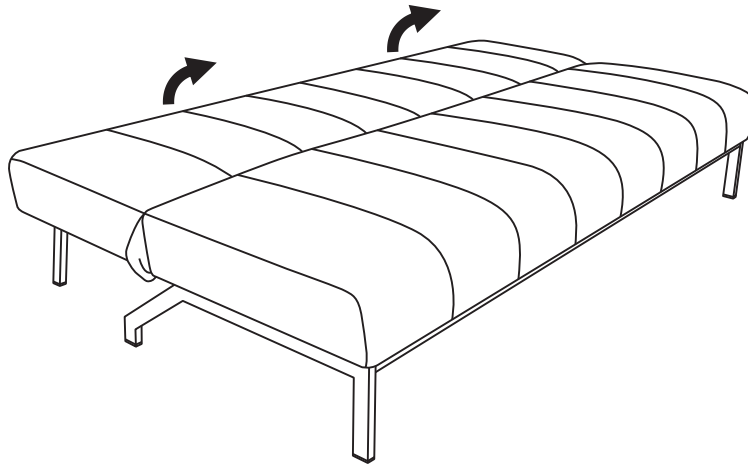
①



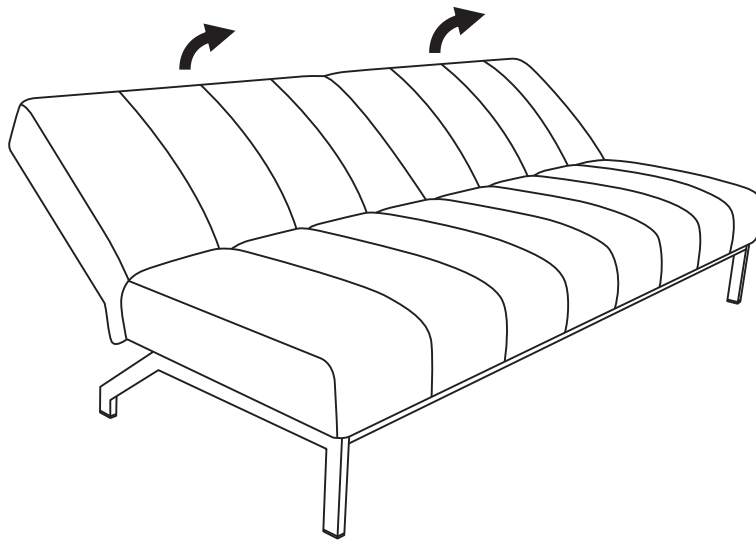
②



III



IV



V

