

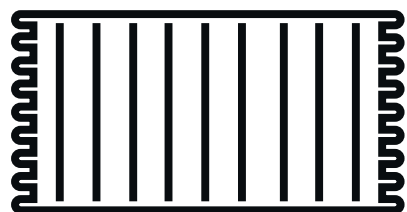
# You need



0.5 hours



2 people

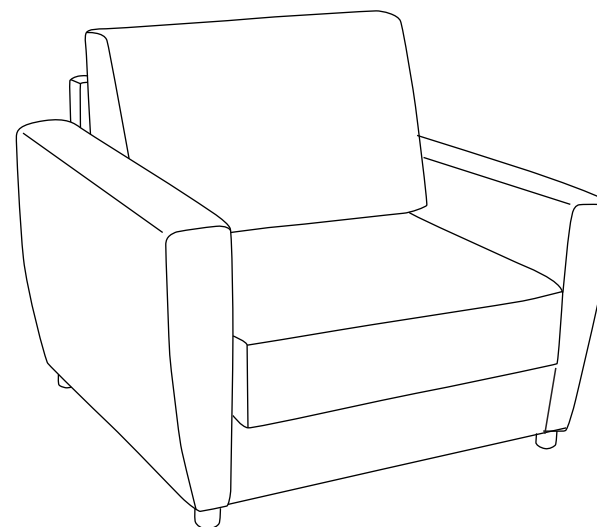


Place your product on a soft surface when mounting

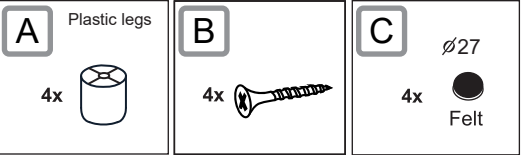
## Assembly instruction

# Clip

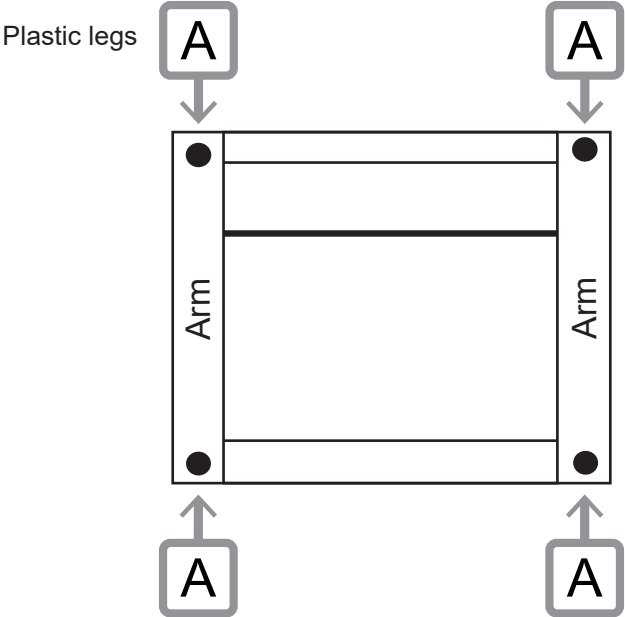
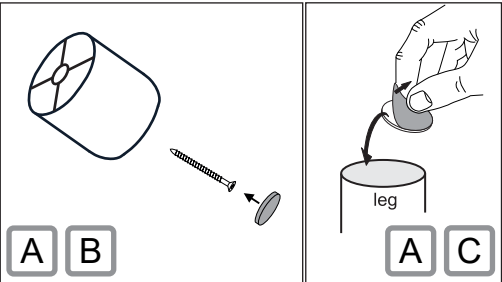
Single bed



# Components - Fittings

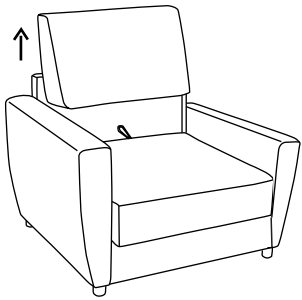


# Assembly instruction

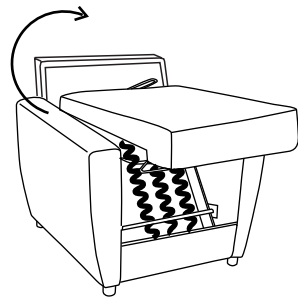


# Bed mounting

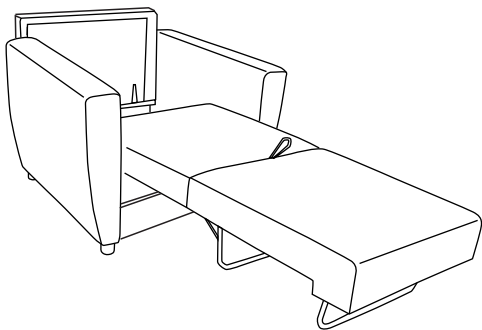
1



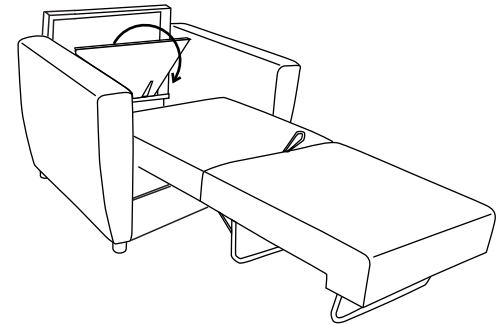
2



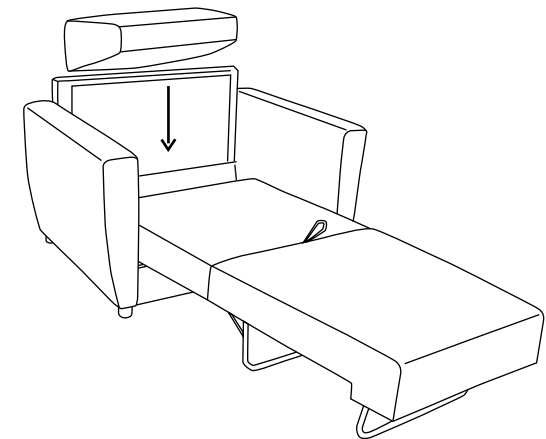
3



4



5



6

