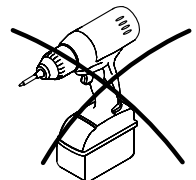
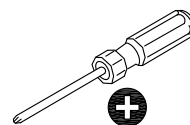
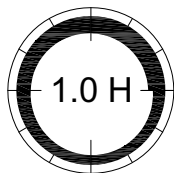
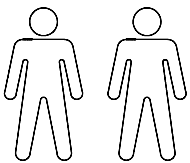
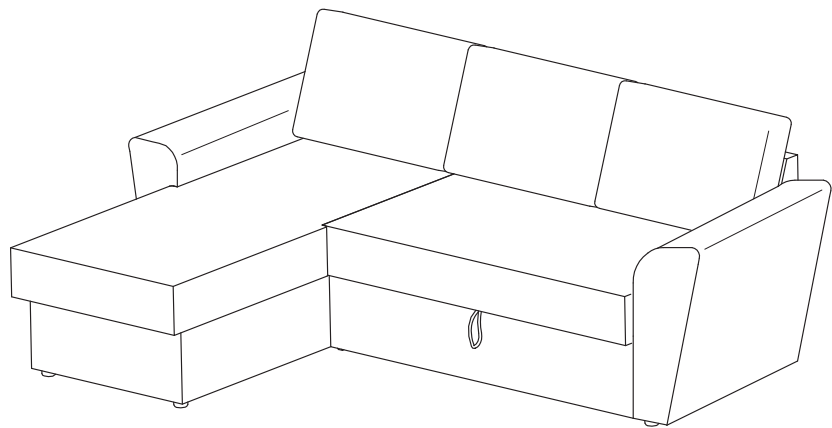
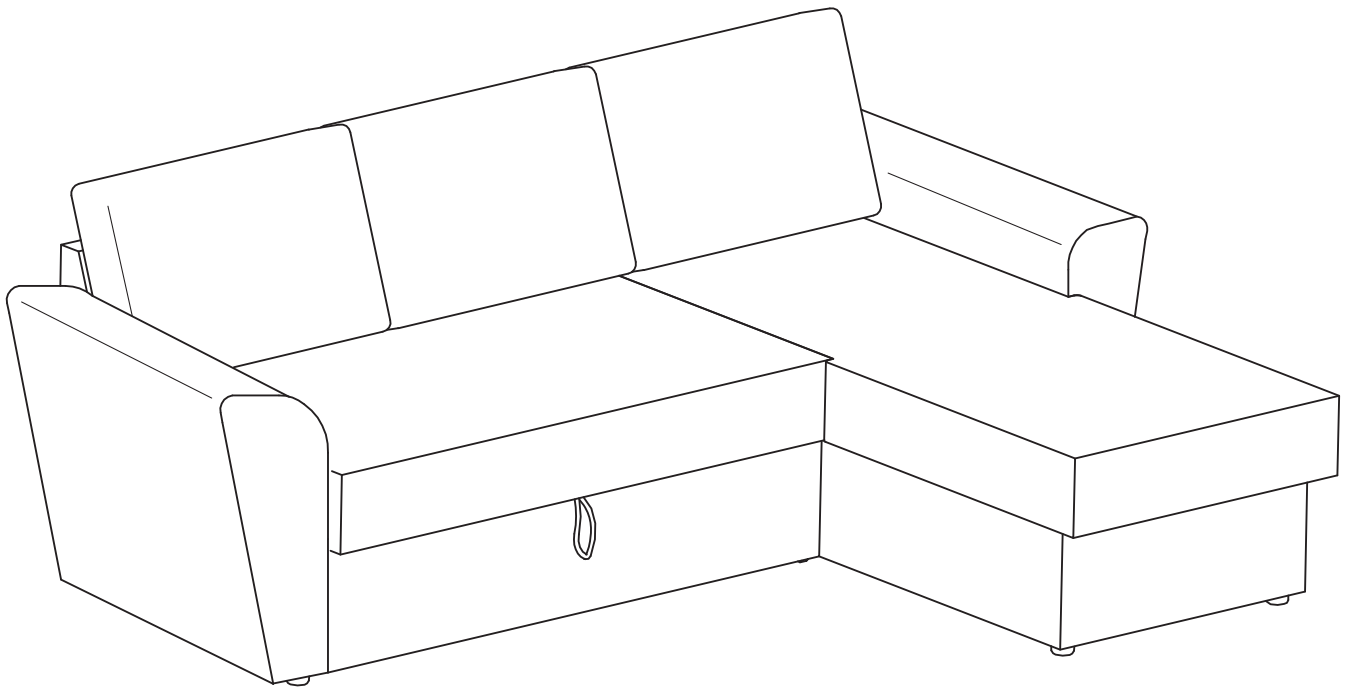
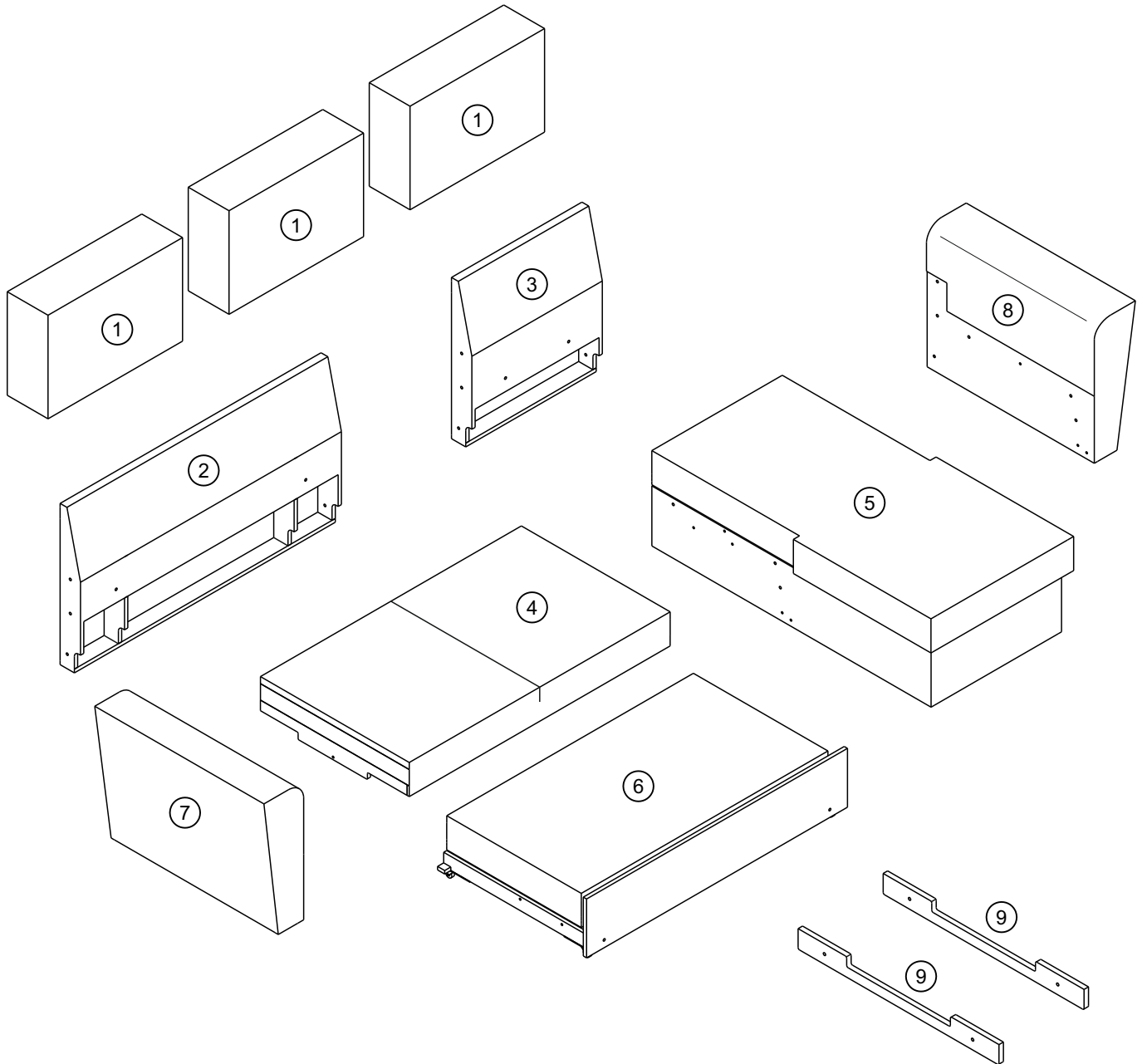


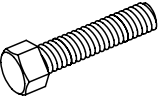

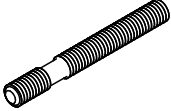

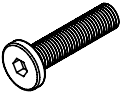
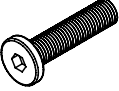
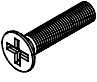

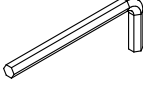
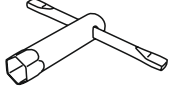
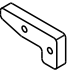
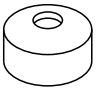
STANFORD



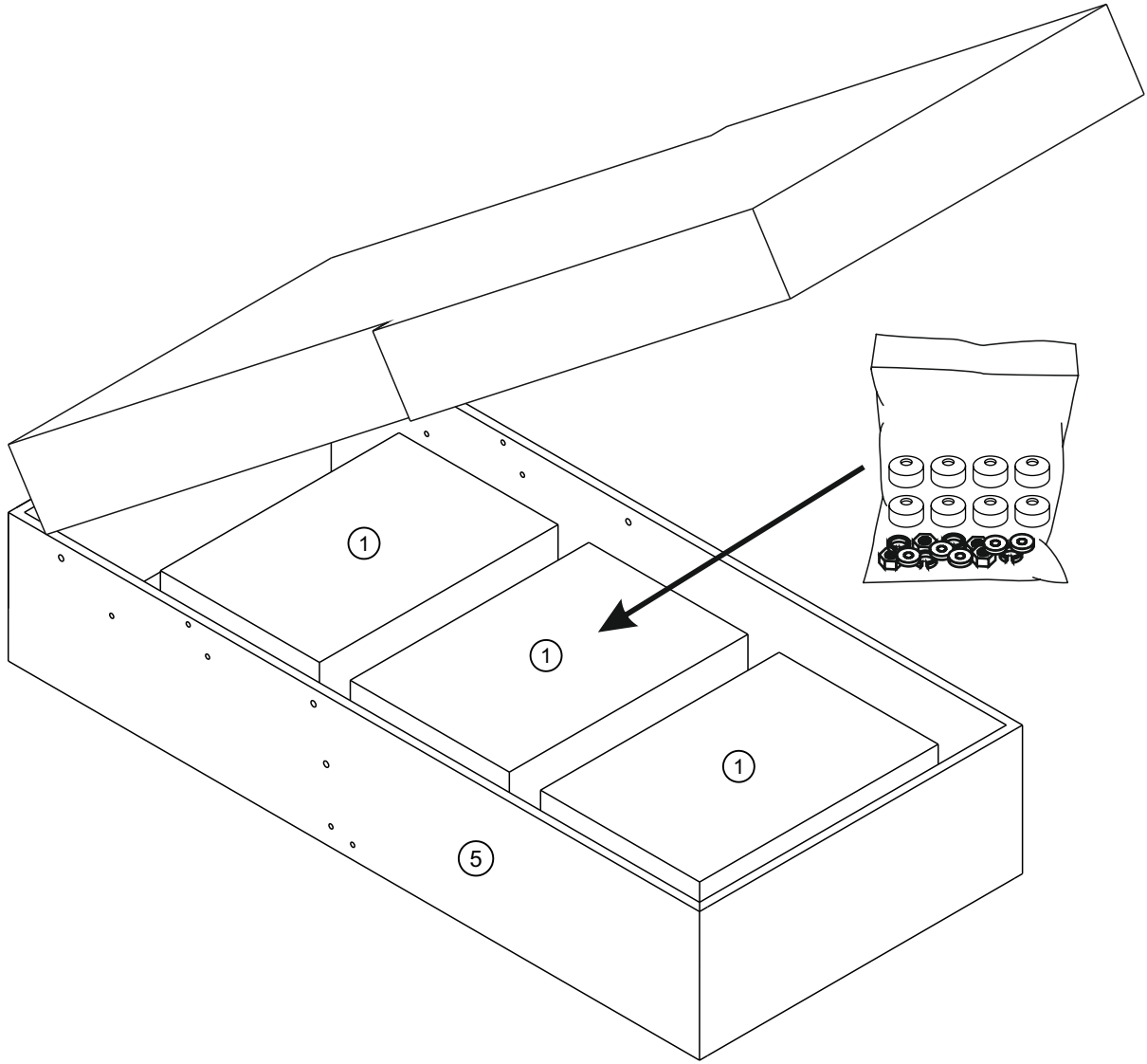
			✓
①	3	220x660x440	
②	1	110x1280x690	
③	1	110x640x690	
④	1	720x1280x220	

			✓
⑤	1	1400x720x440	
⑥	1	740x1280x290	
⑦	1	830x590x180	
⑧	1	830x590x180	
⑨	2	65x680x15	



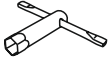


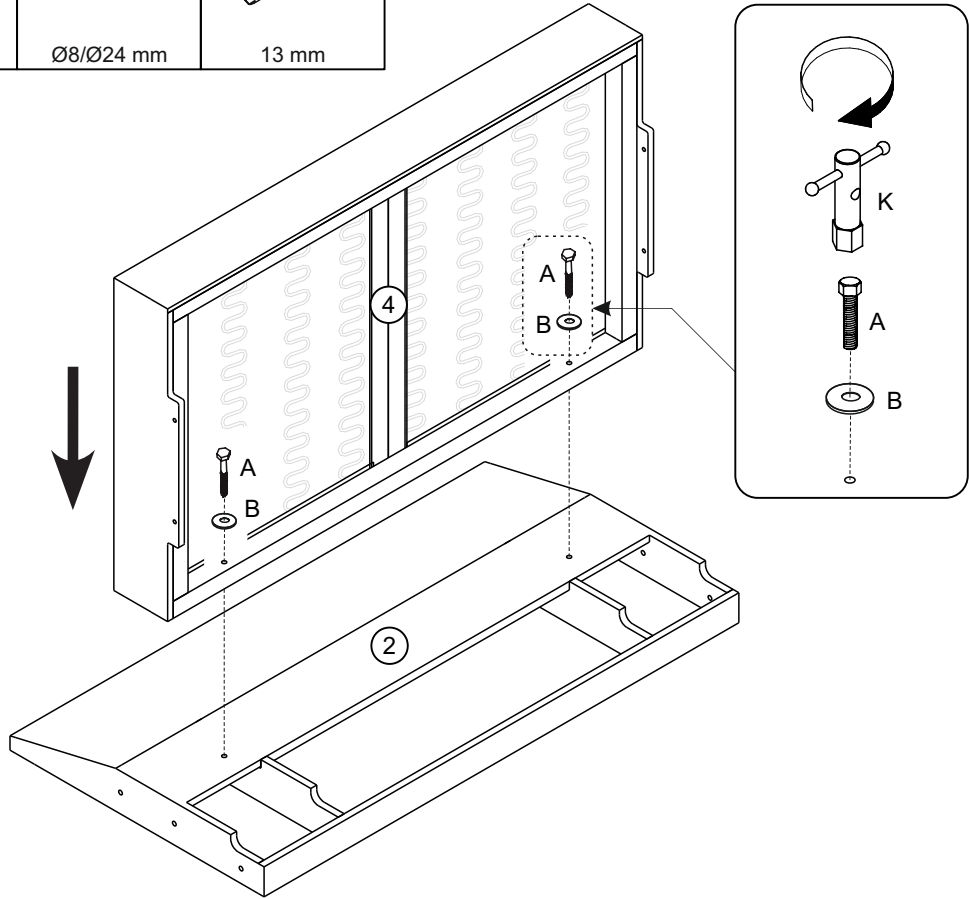
<p>A x 2</p>  <p>M8x70 mm</p>	<p>B x 6</p>  <p>Ø8/Ø24 mm</p>	<p>C x 4</p>  <p>M8x47 mm</p>	<p>D x 4</p>  <p>M8</p>	<p>E x 4</p>  <p>M8x40 mm</p>
<p>F x 4</p>  <p>M8x30 mm</p>	<p>G x 8</p>  <p>M6x35 mm</p>	<p>H x 7</p>  <p>Ø3,5x32 mm</p>	<p>J x 1</p>  <p>5 mm</p>	<p>K x 1</p>  <p>13 mm</p>
<p>L x 2</p>  <p>45x95x15 mm</p>	<p>M x 7</p>  <p>Ø50x35 mm</p>			

1




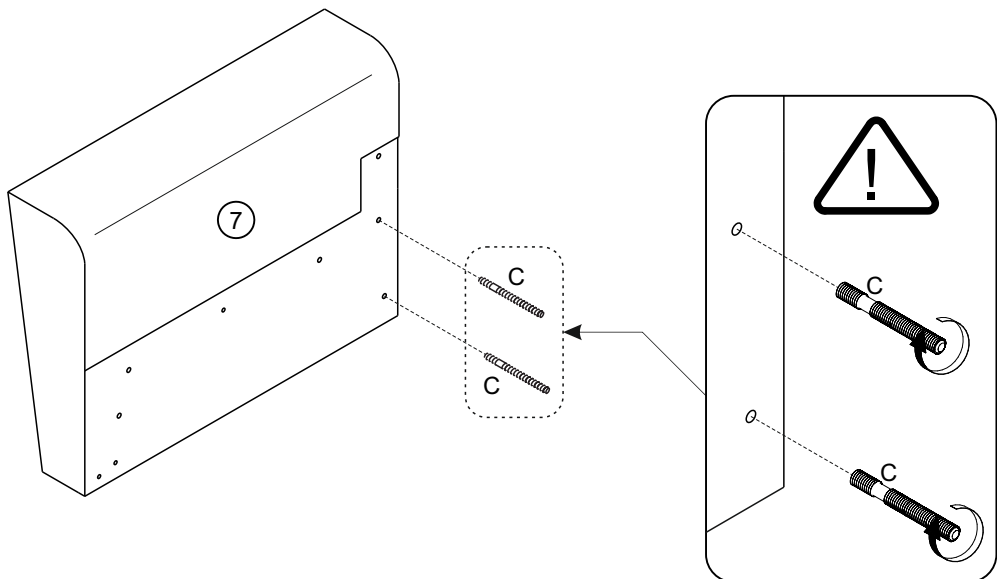
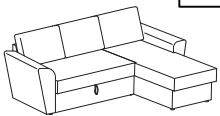
2

A x 2  M8x70 mm	B x 2  Ø8/Ø24 mm	K x 1  13 mm
--	---	---




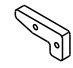


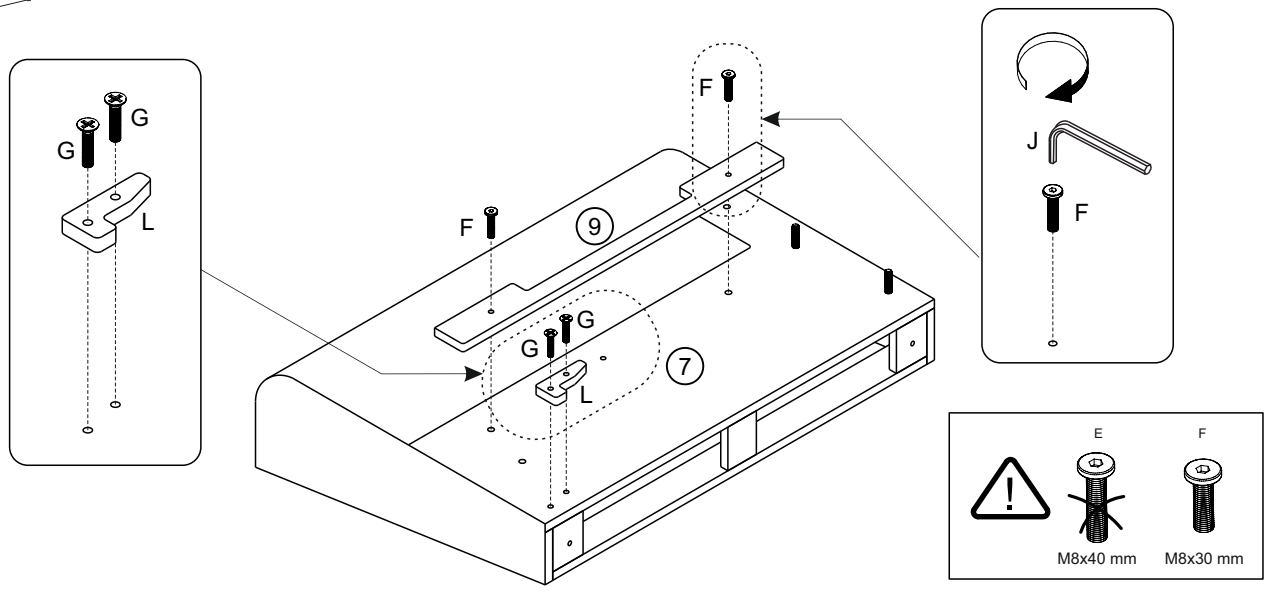
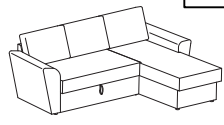
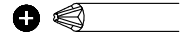
3

C x 2  M8x47 mm
--






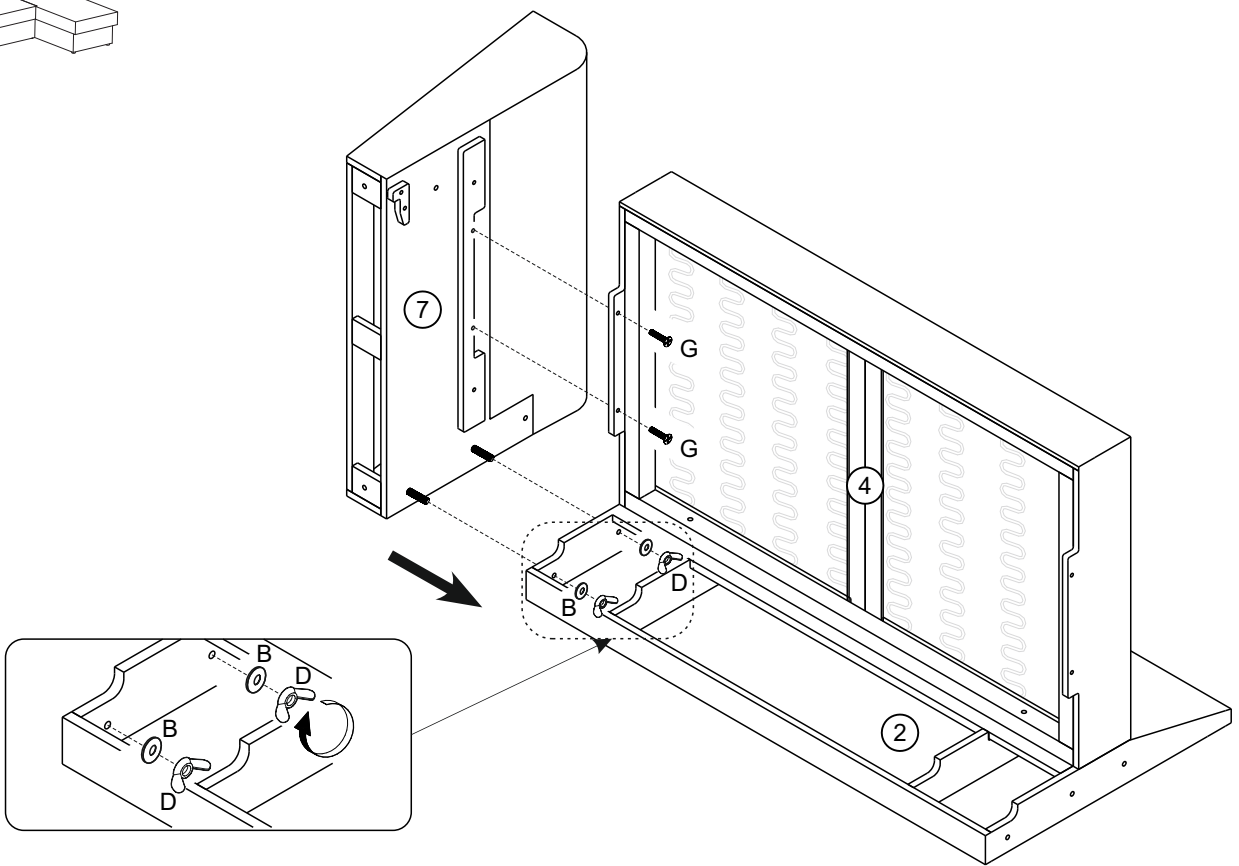
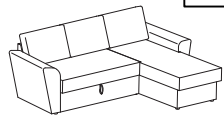
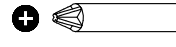
4

F x 2  M8x30 mm	G x 2  M6x35 mm	J x 1  5 mm	L x 1  45x95x15 mm
--	--	--	---

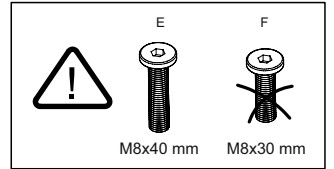
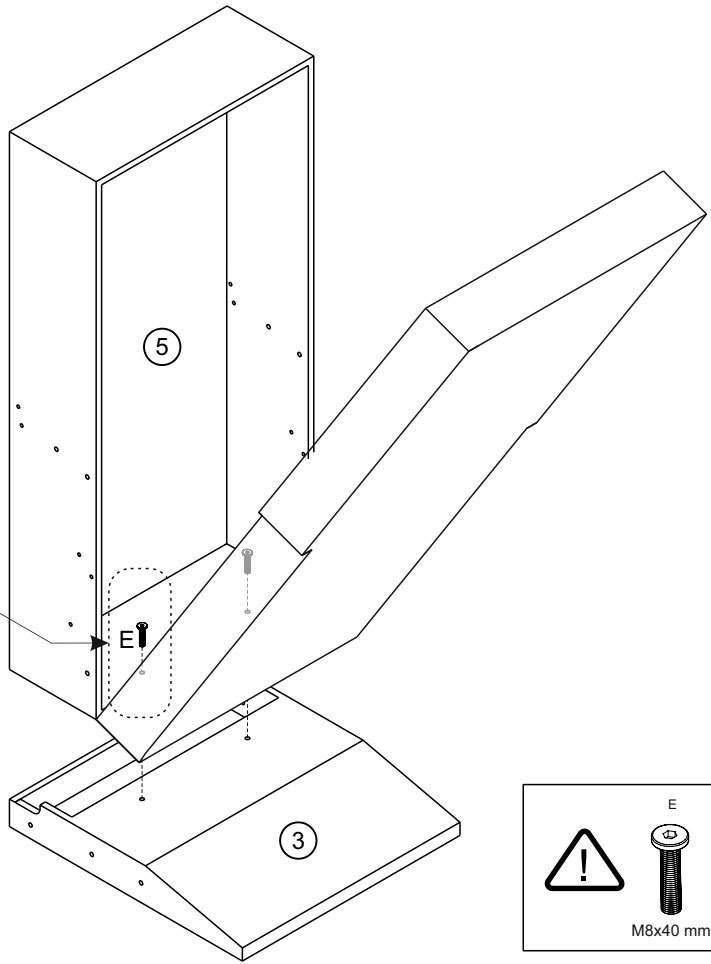
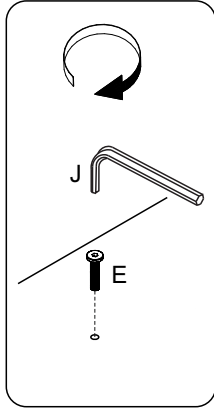
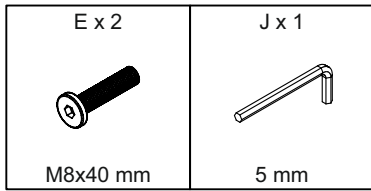
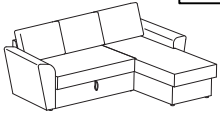


5

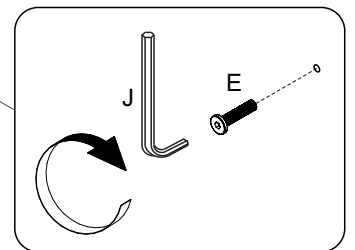
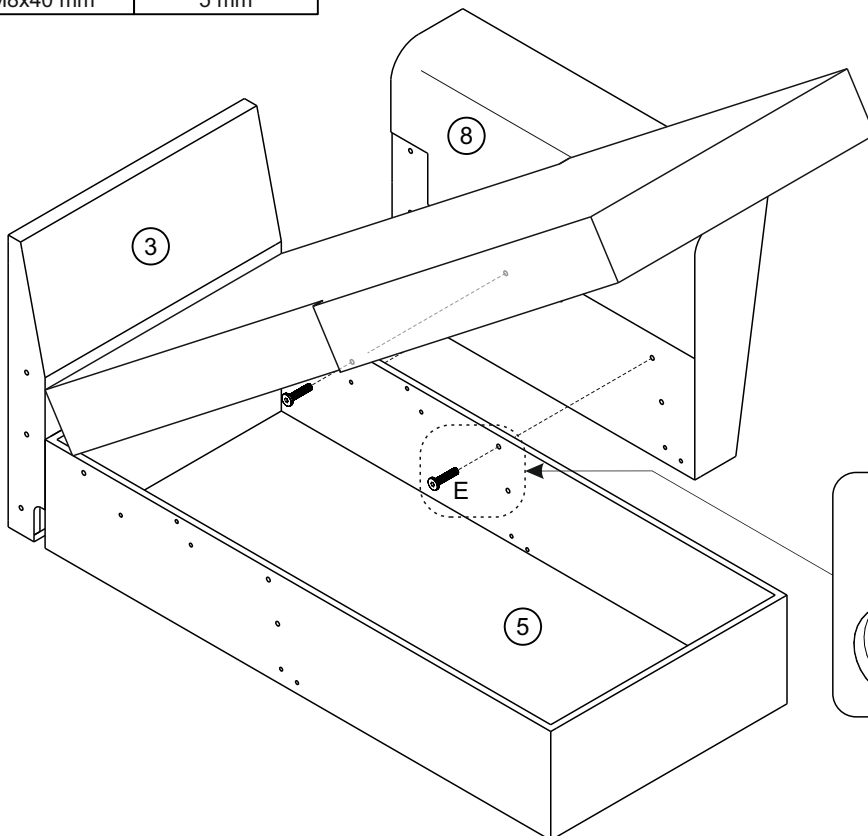
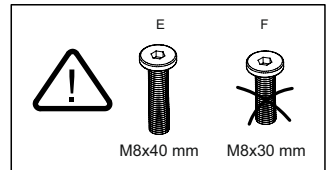
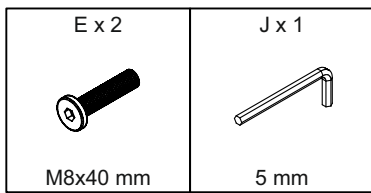
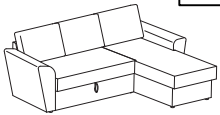
B x 2  Ø8/Ø24 mm	D x 2  M8	G x 2  M6x35 mm
---	--	--






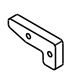
6

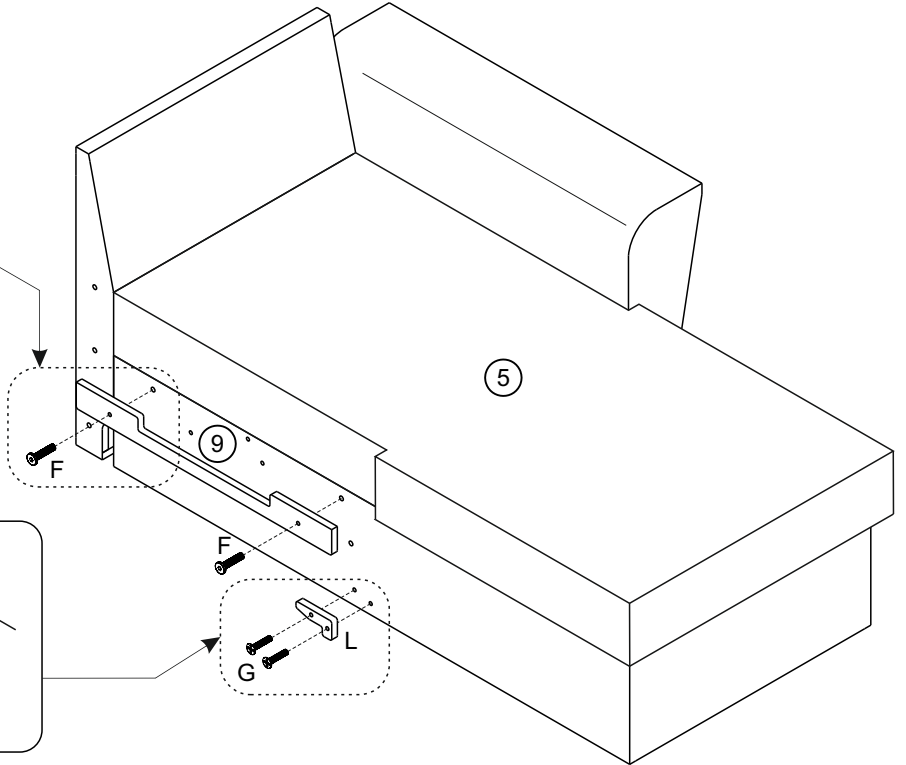
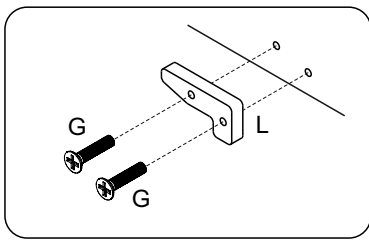
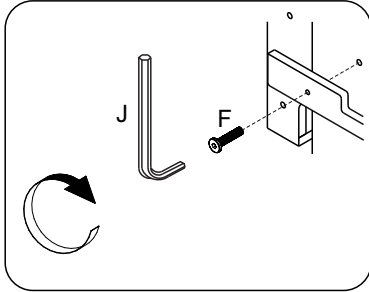
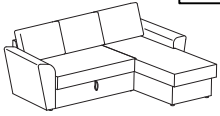
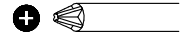


7




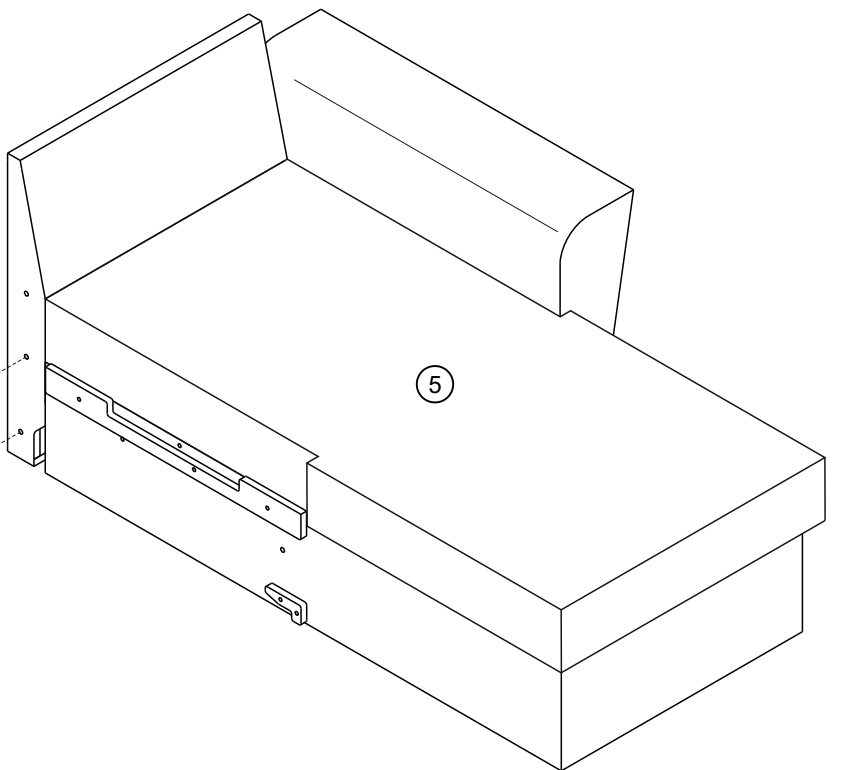
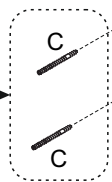
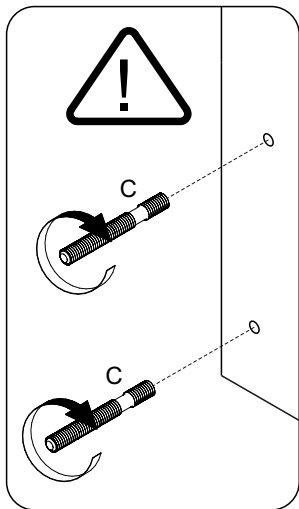
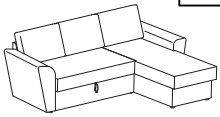
8

F x 2  M8x30 mm	G x 2  M6x35 mm	J x 1  5 mm	L x 1  45x95x15 mm
--	--	--	---






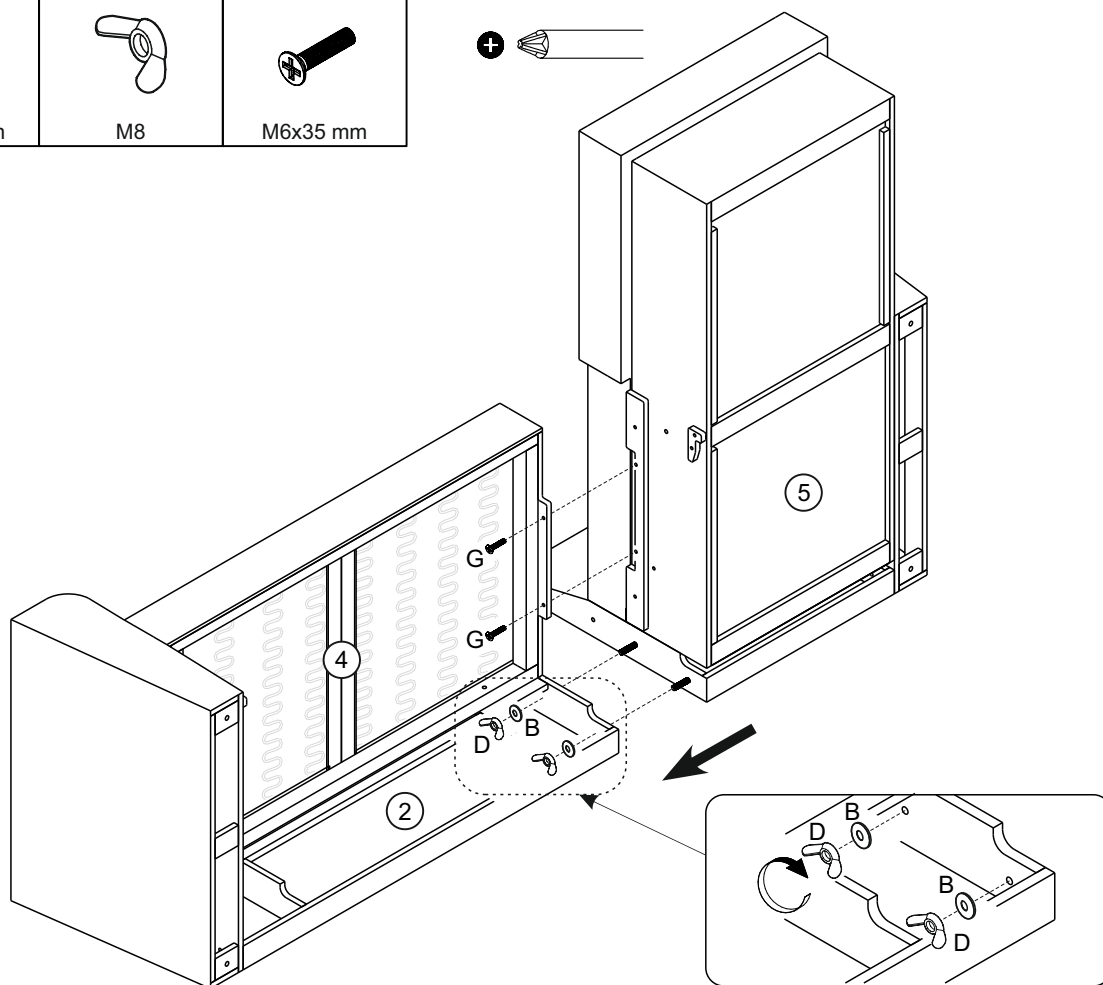
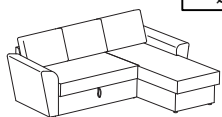
9

C x 2  M8x47 mm
--





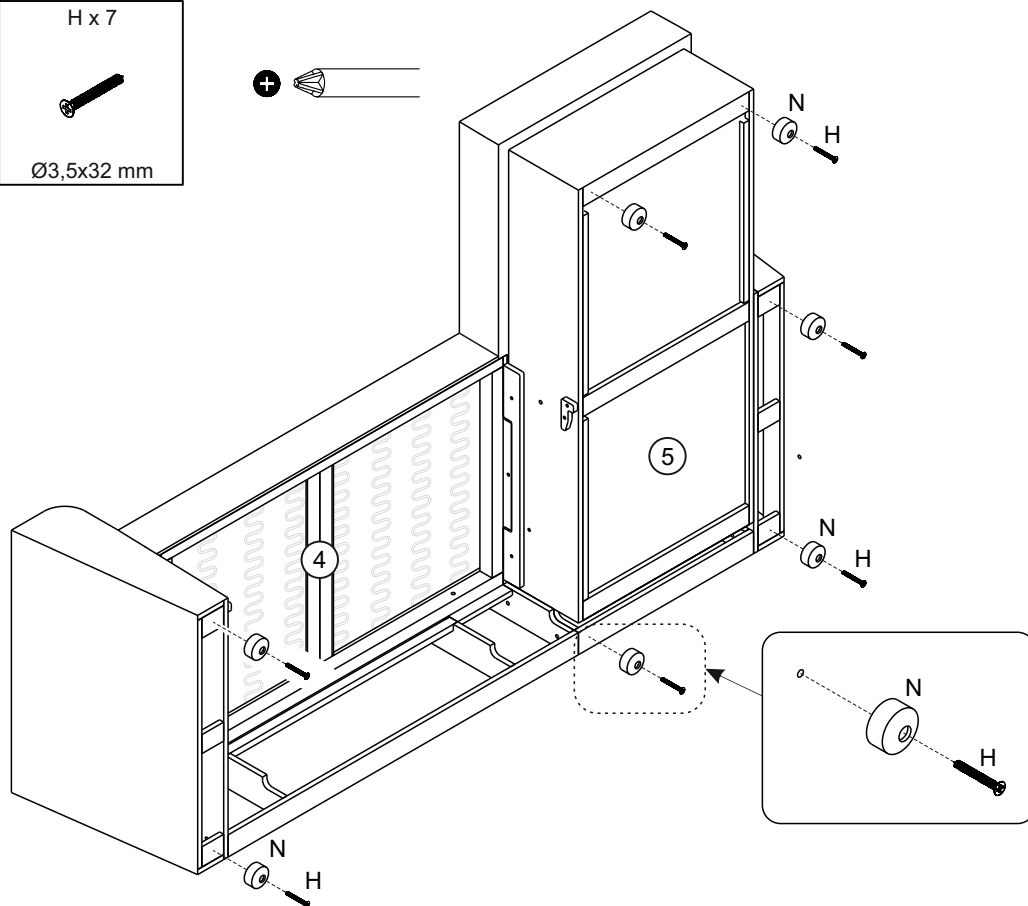
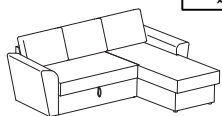
10

B x 2  Ø8/Ø24 mm	D x 2  M8	G x 2  M6x35 mm
---	--	--

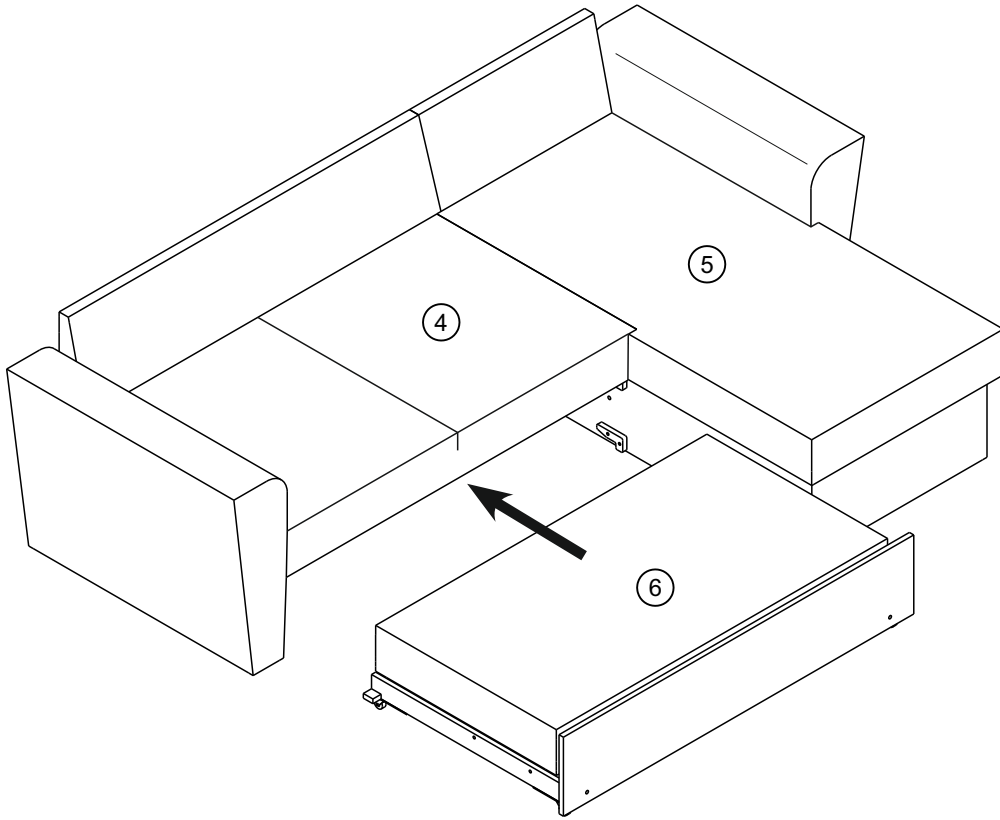


11

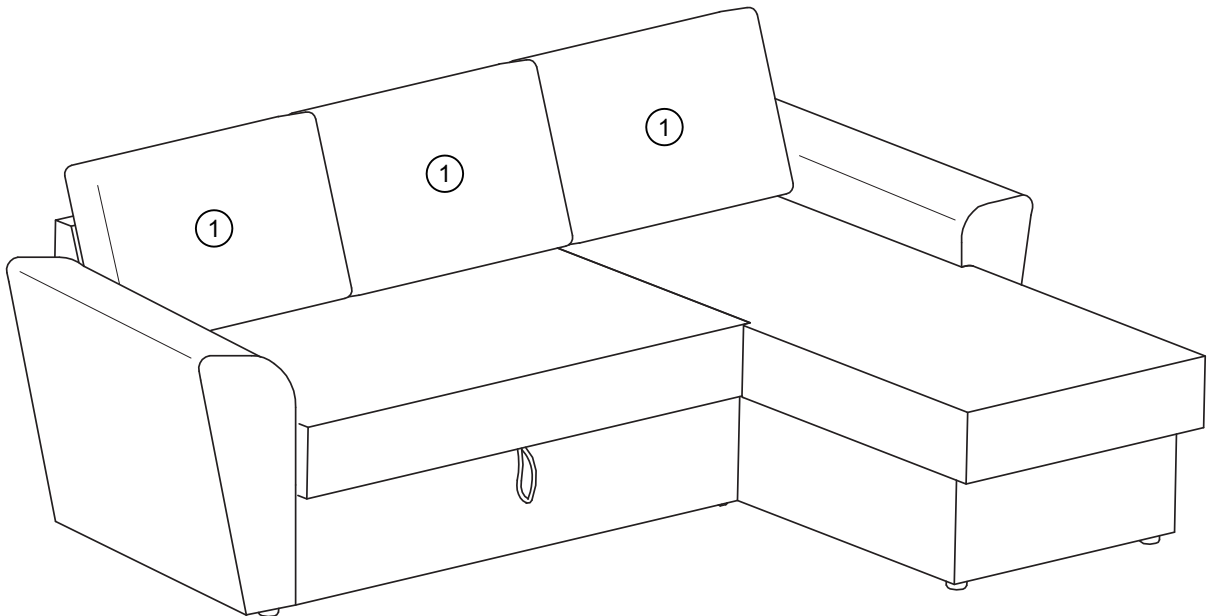
N x 7  Ø50x35 mm	H x 7  Ø3,5x32 mm
---	--



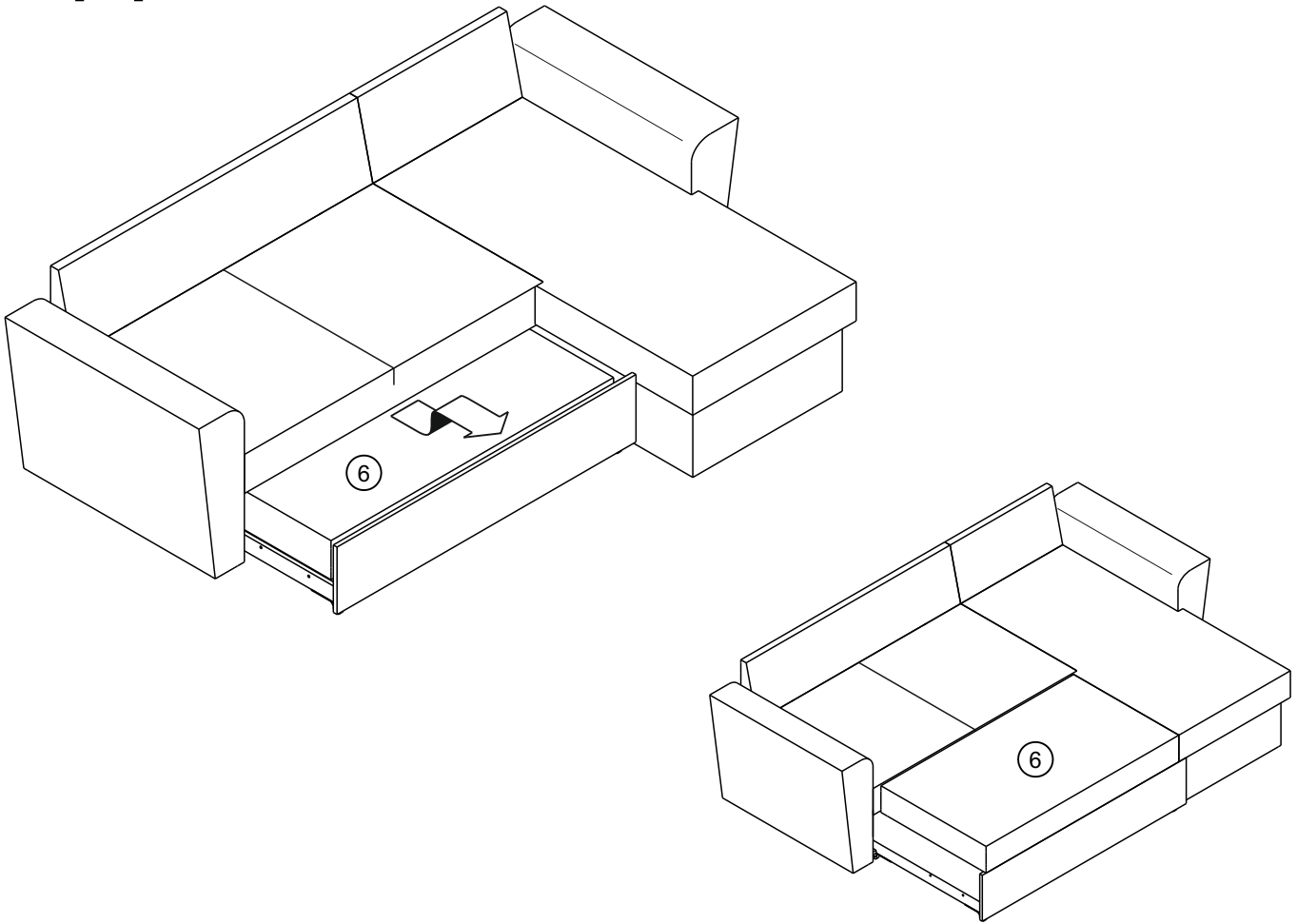
12



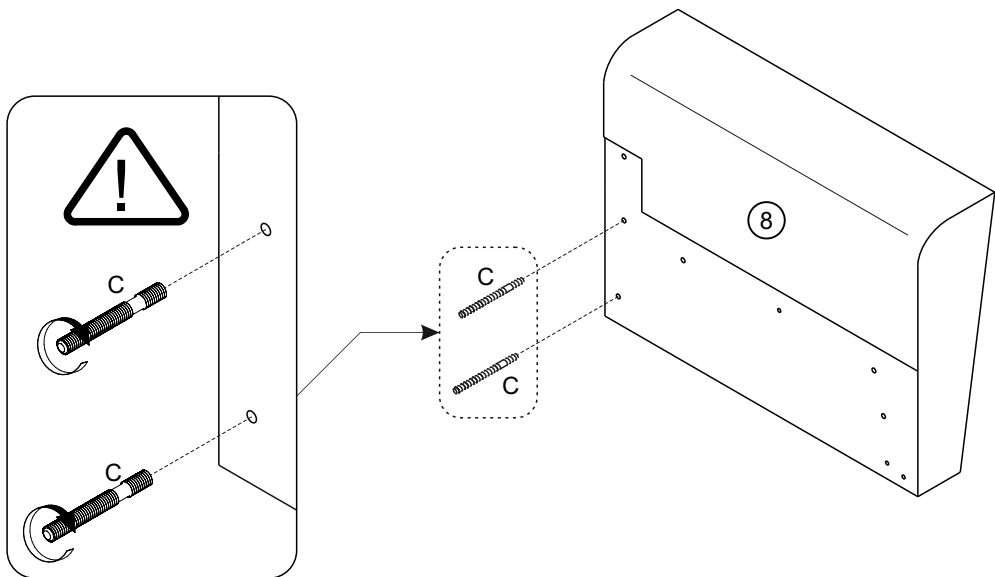
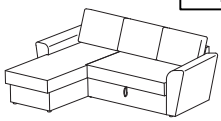
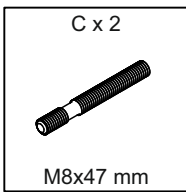
13






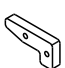
14

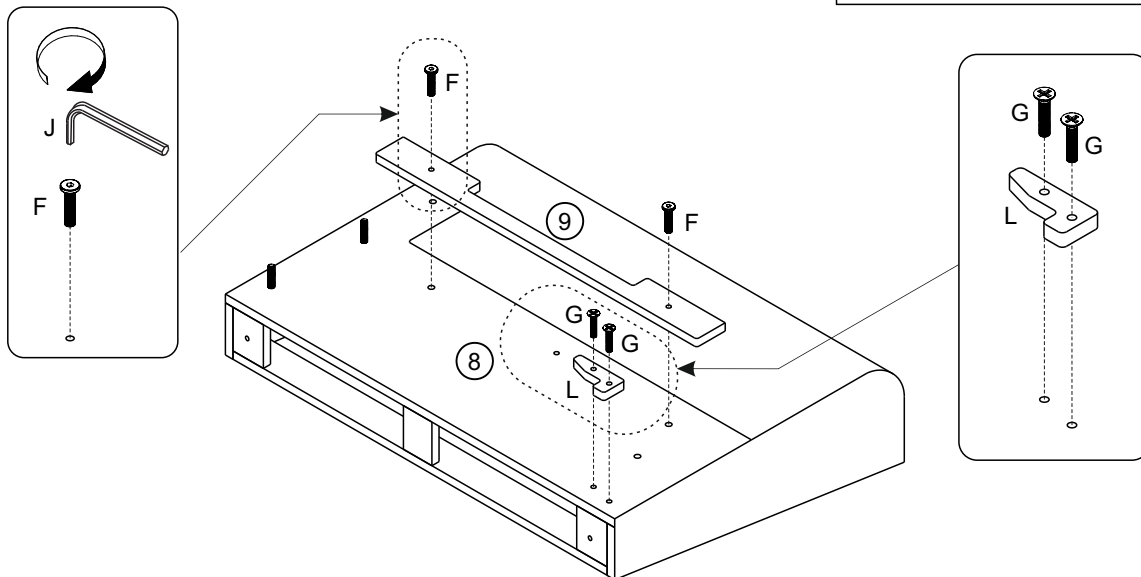
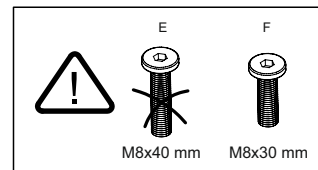
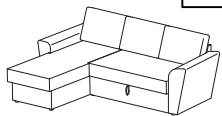
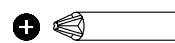


15






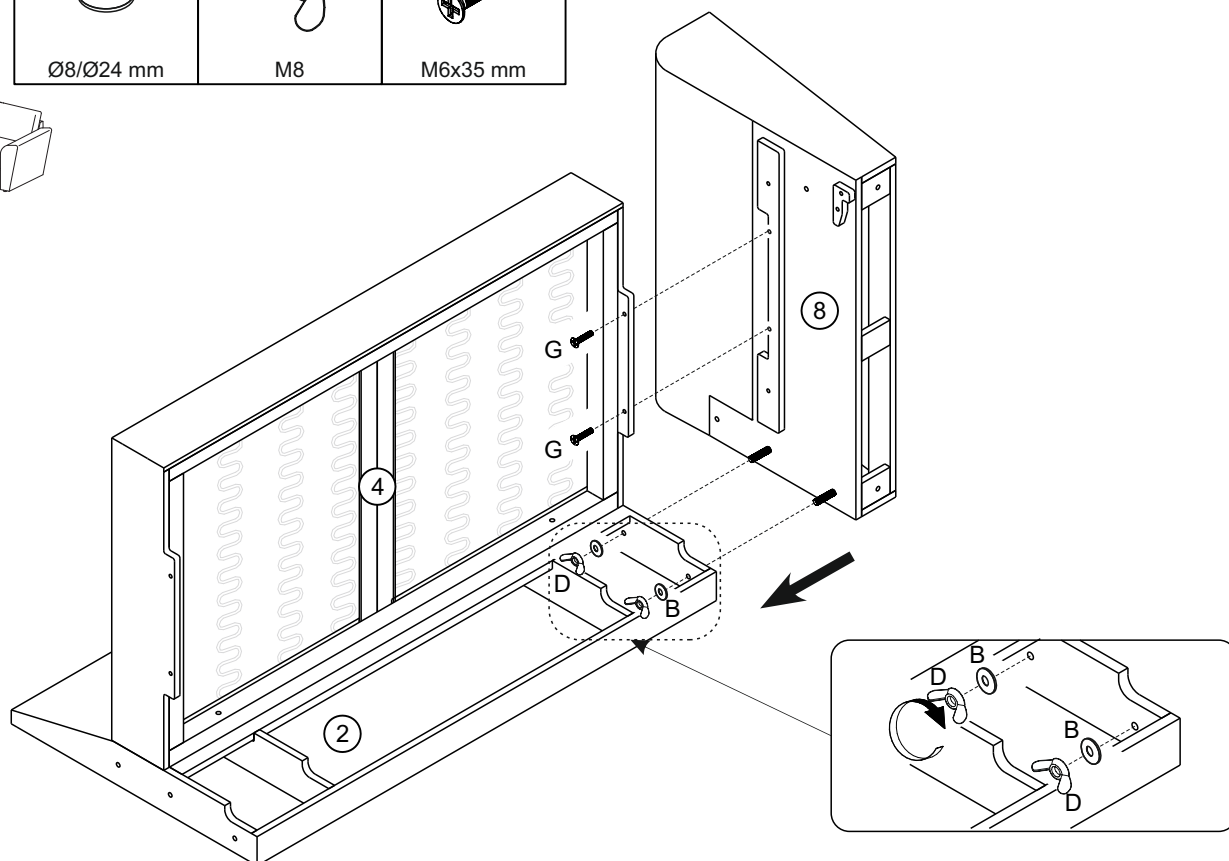
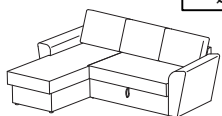
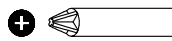
16

F x 2  M8x30 mm	G x 2  M6x35 mm	J x 1  5 mm	M x 1  45x95x15 mm
--	--	--	---





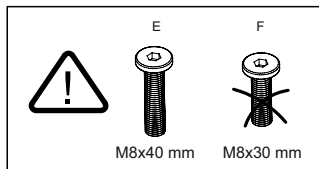
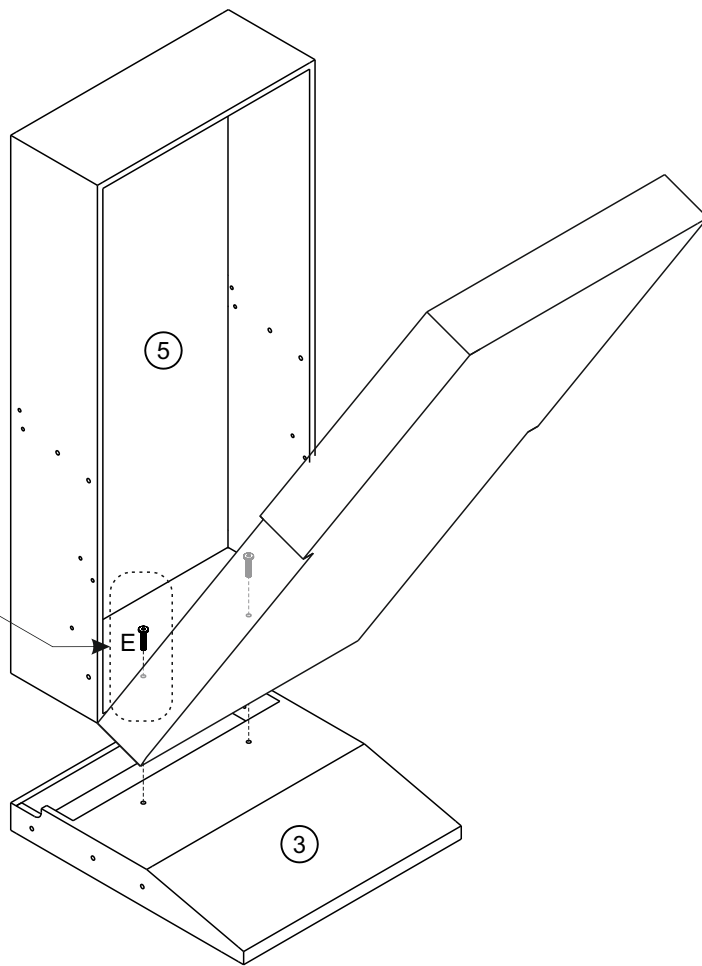
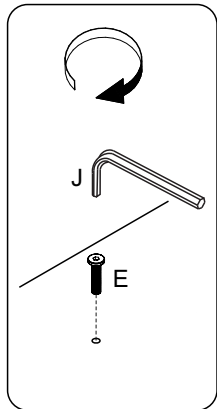
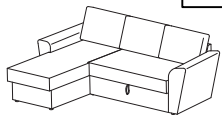
17

B x 2  Ø8/Ø24 mm	D x 2  M8	G x 2  M6x35 mm
---	--	--





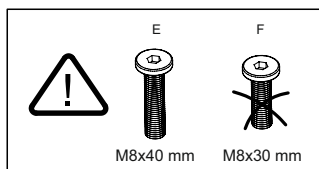
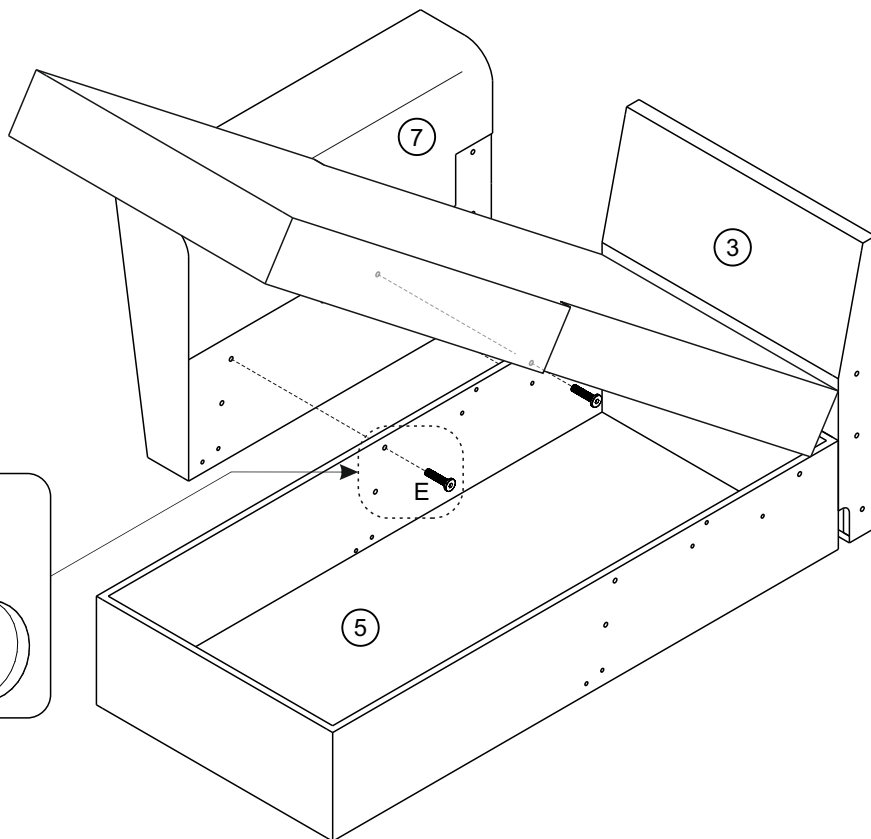
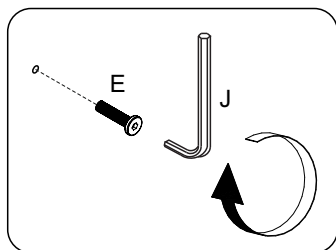
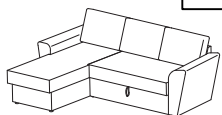
18

E x 2  M8x40 mm	J x 1  5 mm
--	--



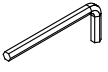
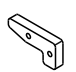


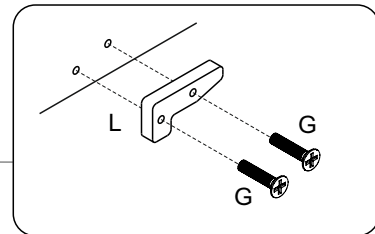
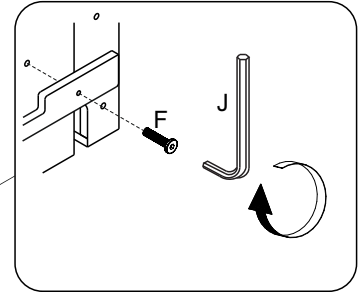
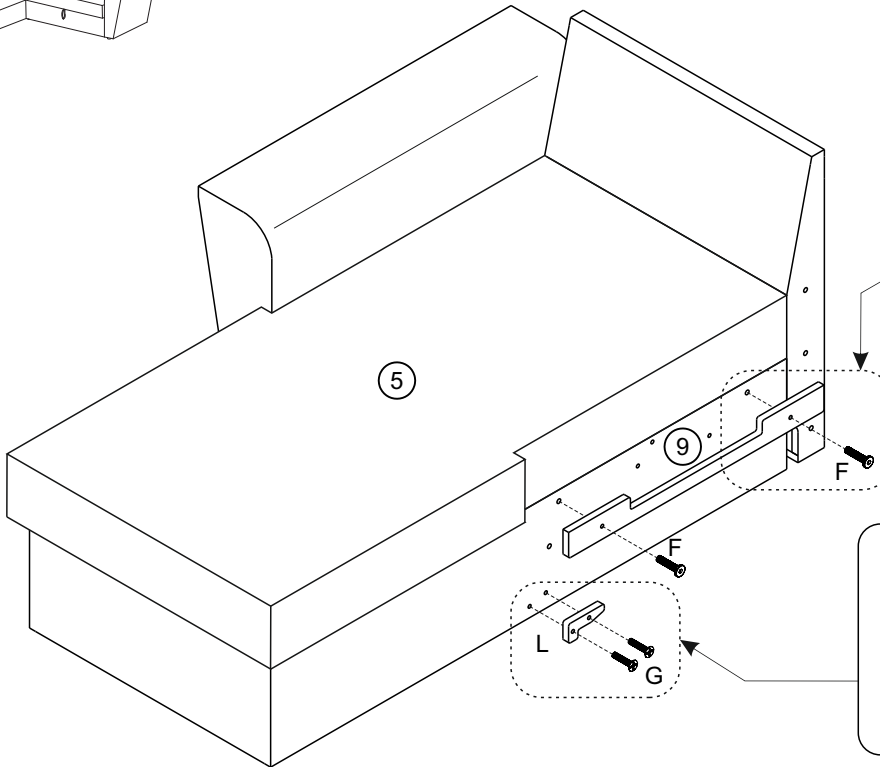
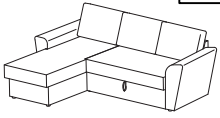
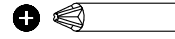
19

E x 2  M8x40 mm	J x 1  5 mm
--	--




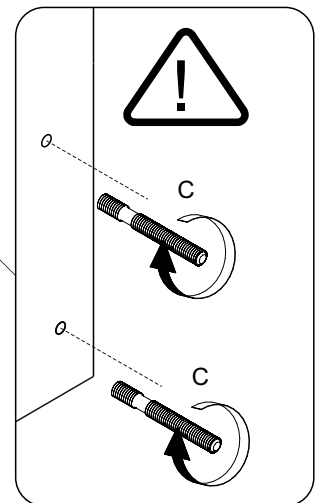
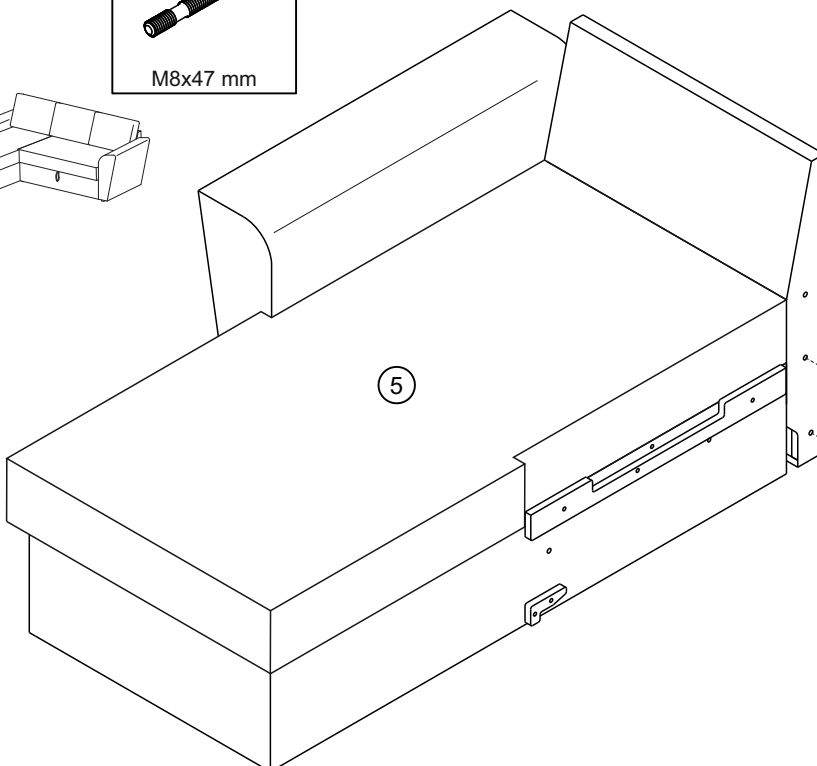
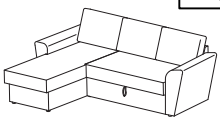
20

F x 2  M8x30 mm	G x 2  M6x35 mm	J x 1  5 mm	L x 1  45x95x15 mm
--	--	--	---






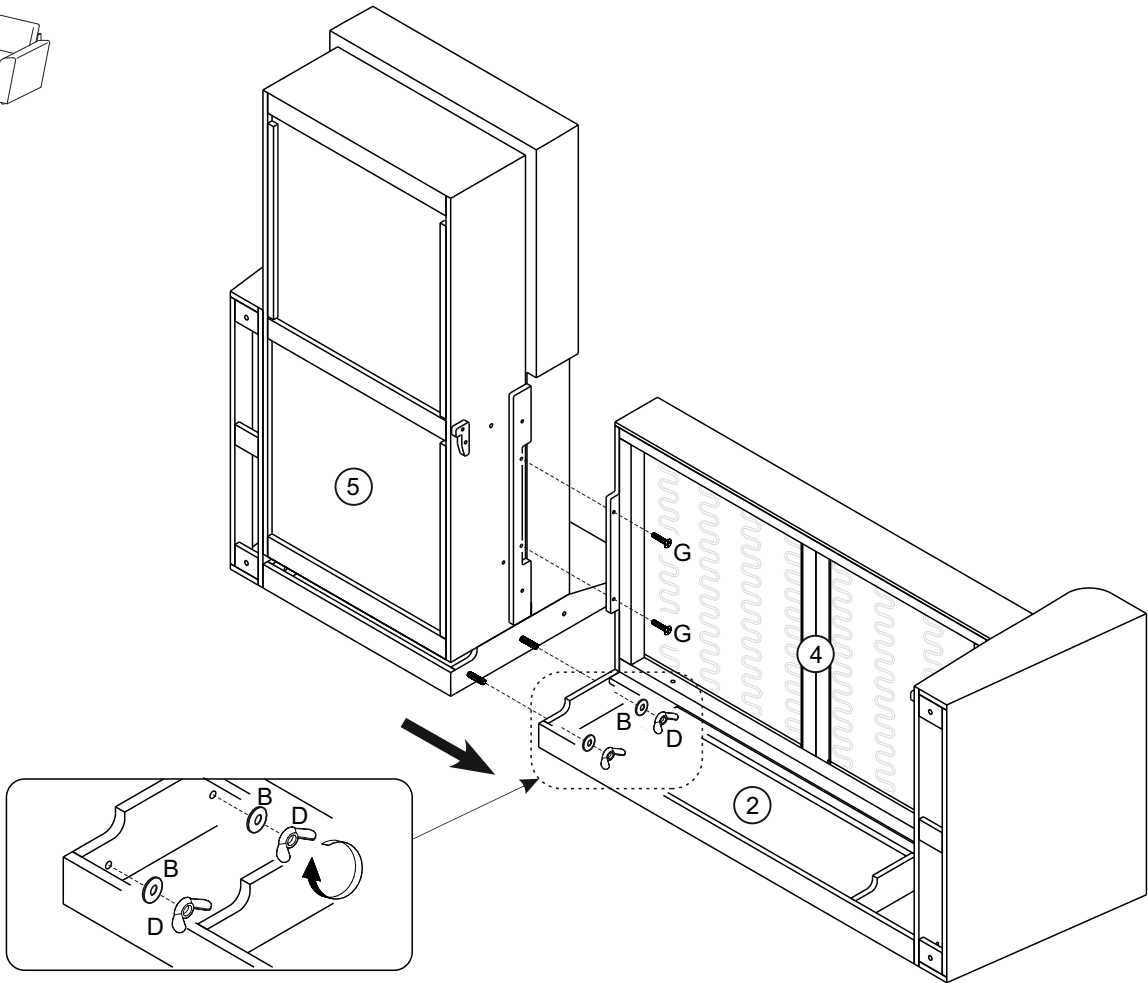
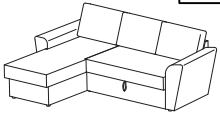
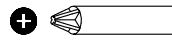
21

C x 2  M8x47 mm
--





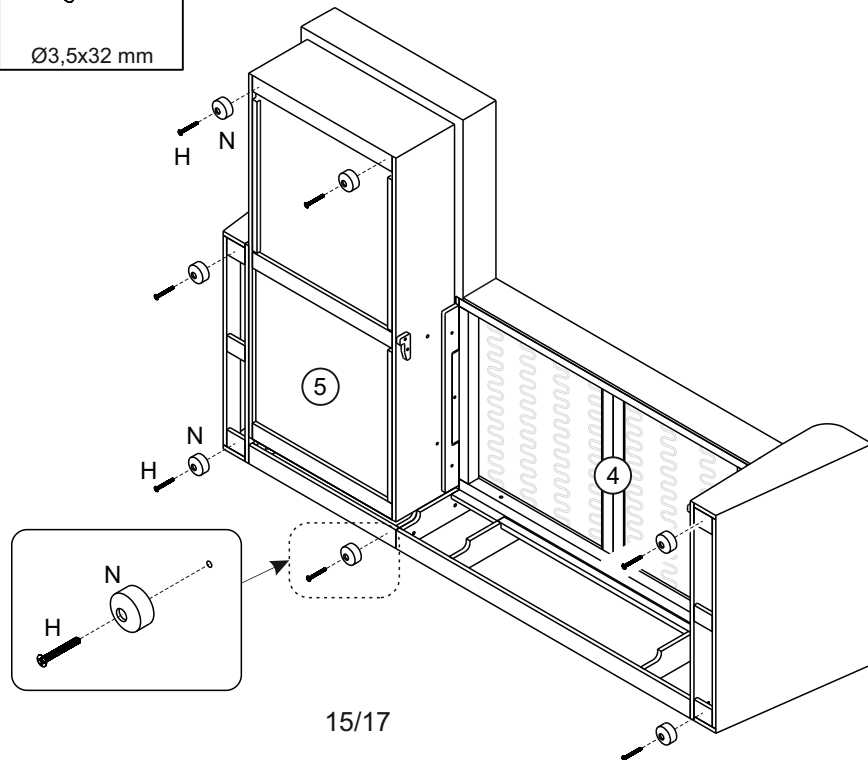
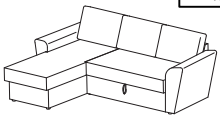
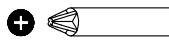
22

B x 2  Ø8/Ø24 mm	D x 2  M8	G x 2  M6x35 mm
---	--	--

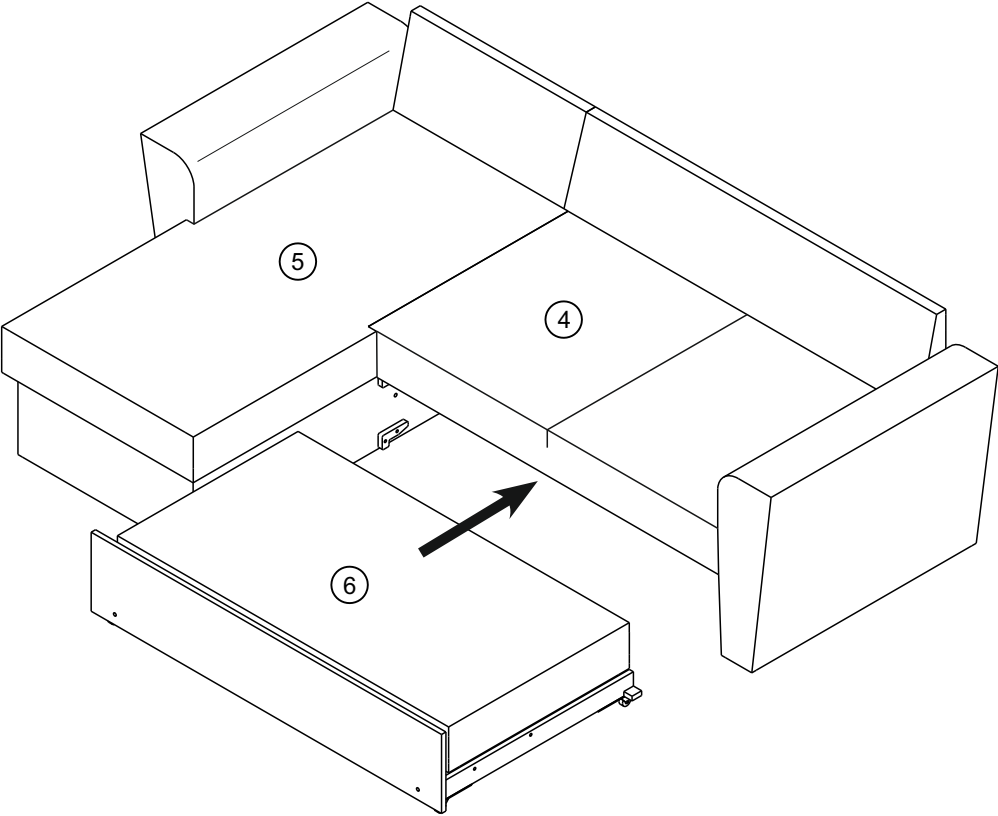


23

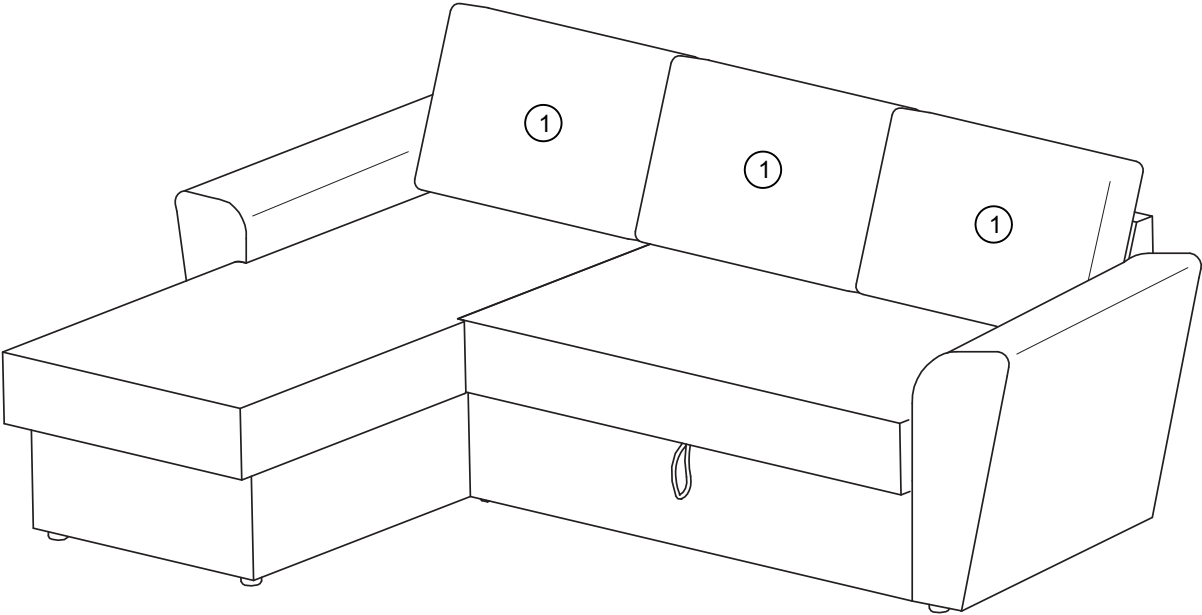
N x 7  Ø50x35 mm	H x 7  Ø3,5x32 mm
---	--



24



25



26

