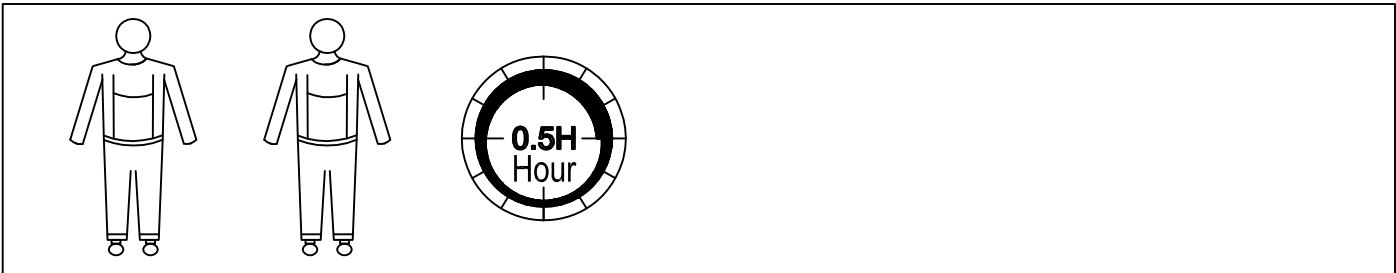
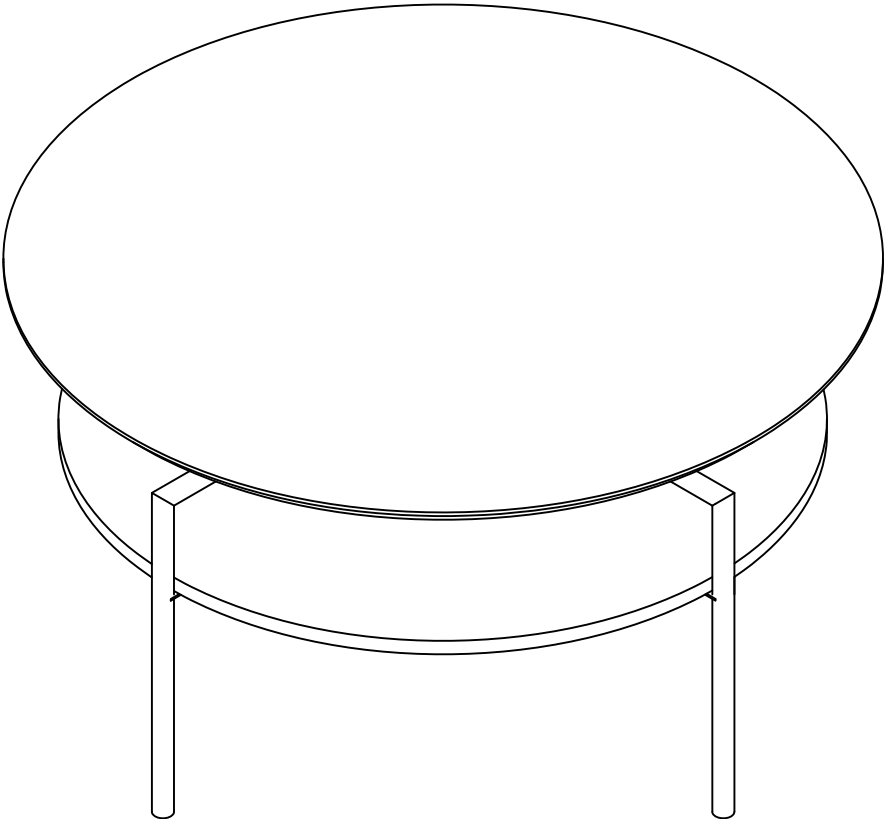
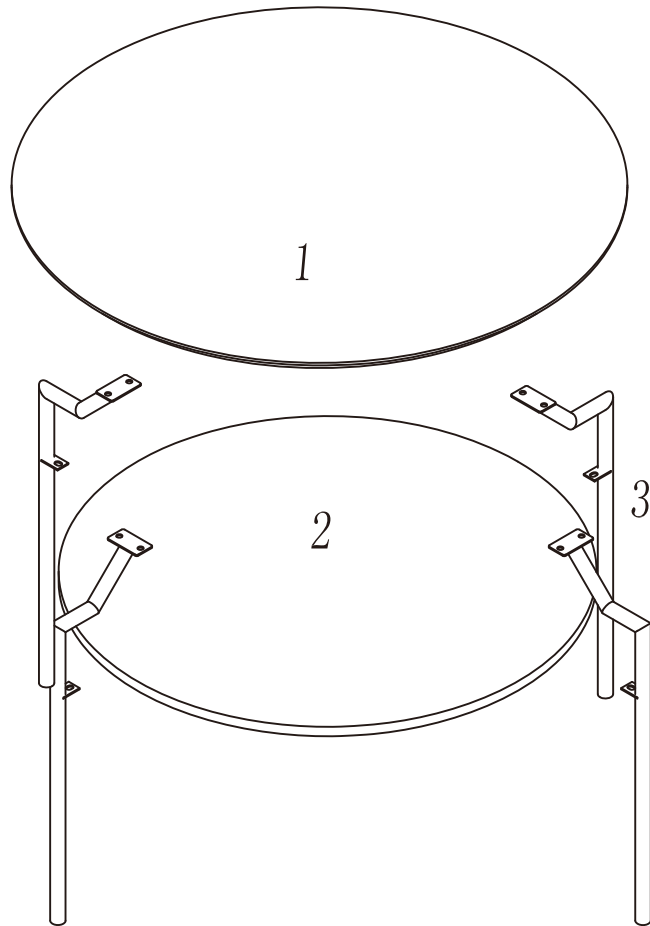
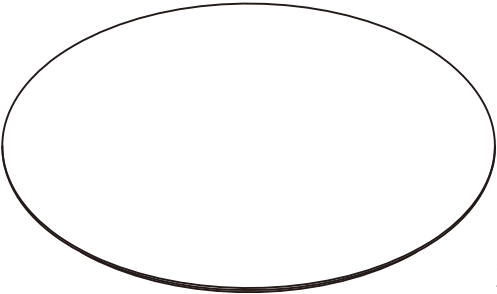
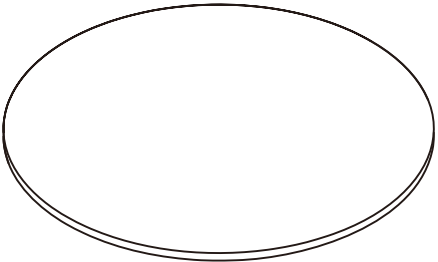








BARKER COFFEE TABLE

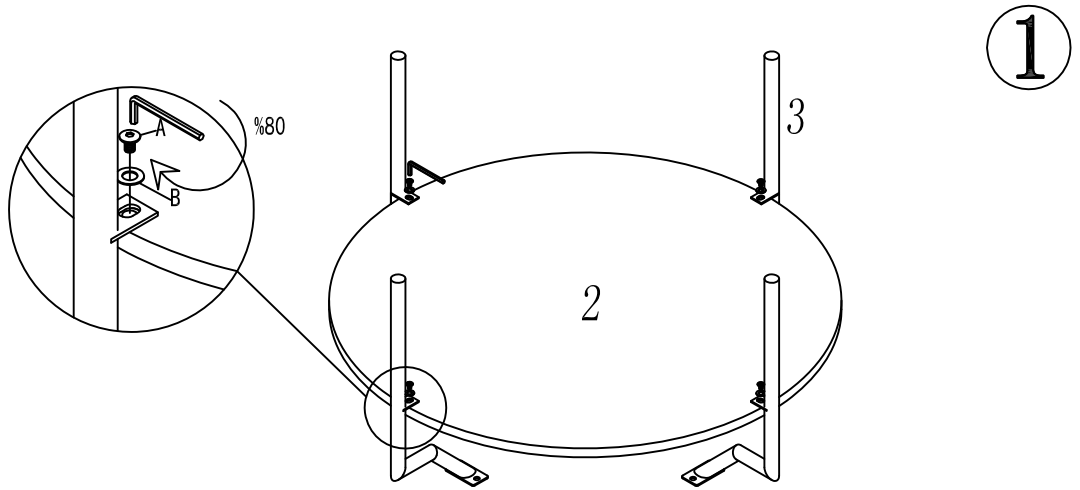







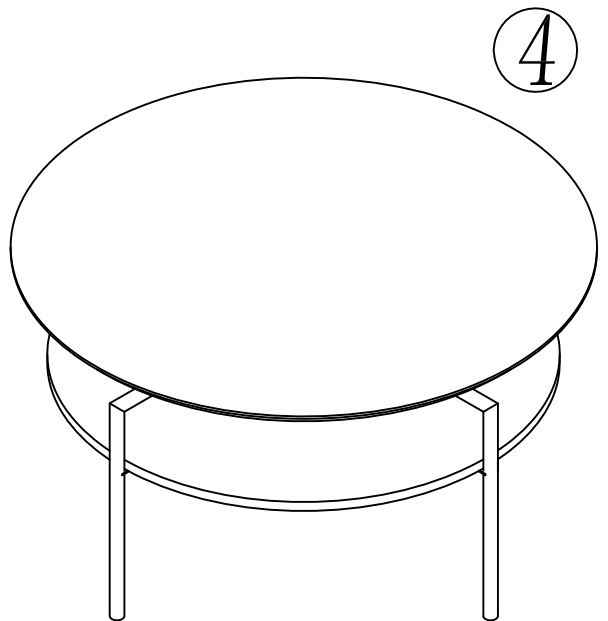
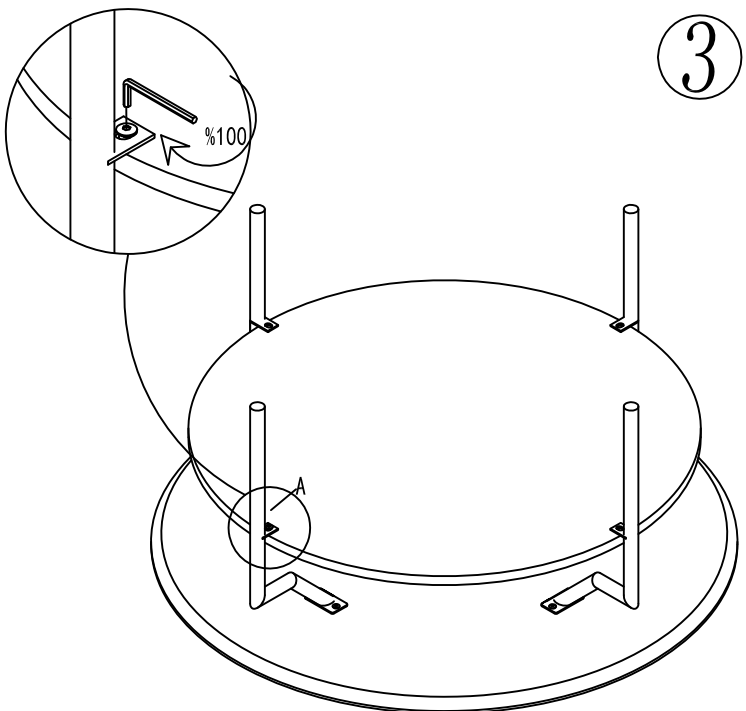
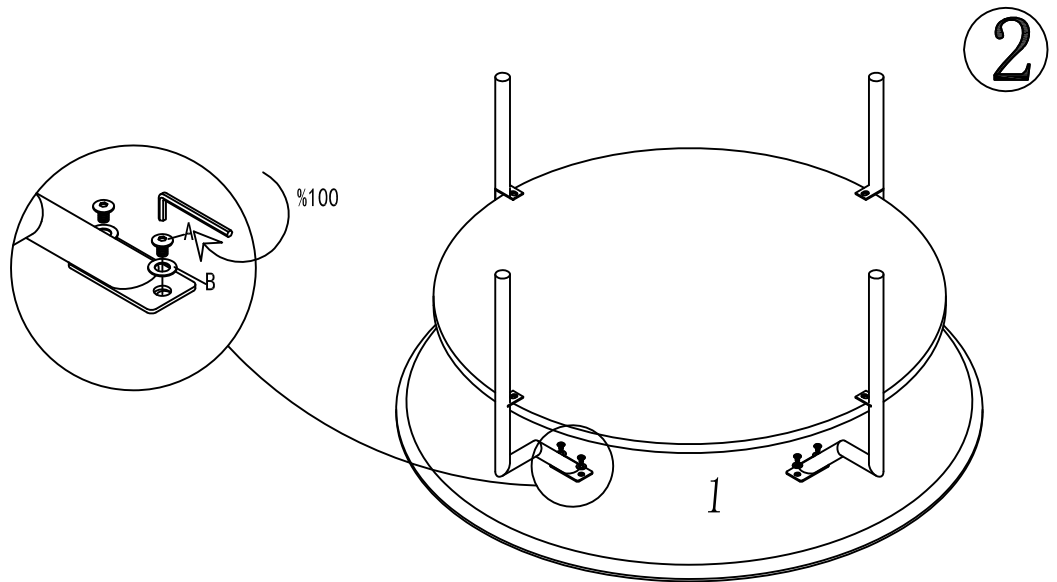
<p>1</p>  <p>X1</p>	<p>2</p>  <p>X1</p>
<p>3</p>  <p>X4</p>	

<p>M6x16 A x 12</p> 	<p>Ø13 B x 12</p> 	<p>M4 C x 1</p> 
---	---	---

M6x16 A x 4

Ø13 B x 4

M4 C x 1




M6x16 A x 8

Ø13 B x 8

M4 C x 1




GENERAL PRODUCT CARE

To protect your furniture, we suggest the following:

Avoid placing your furniture in direct sunlight.

Do not place furniture directly under windows.

Do not place sharp materials (knife, fork, etc.) directly onto your furniture as sharp material may scrape and damage the finish.

Do not place material with high temperature directly onto the surface of your furniture.

Clean up spills quickly. Water left over a prolonged period of time may cause damage. Alcohol, perfume, nail polishes, aftershave and some medication may cause severe finish damage if not cleaned immediately.

Use a clean, soft, dry, lint free absorbent cloth to clean your furniture. Do not use any detergent as they may contain ingredients that may react and damage the finish.