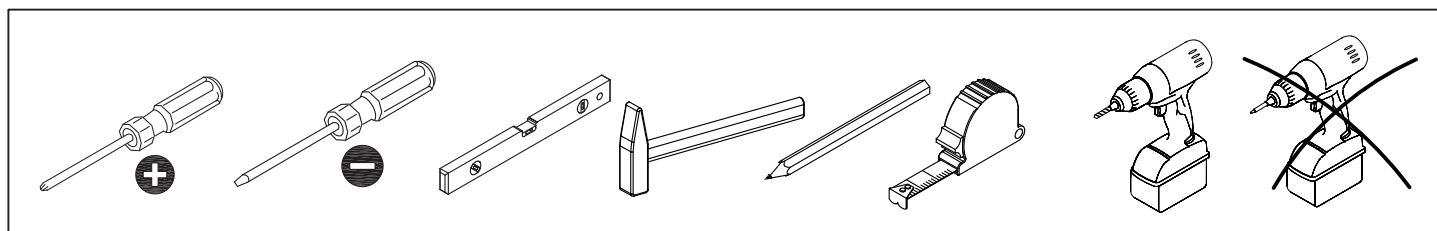
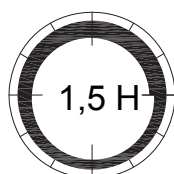
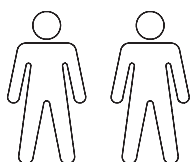
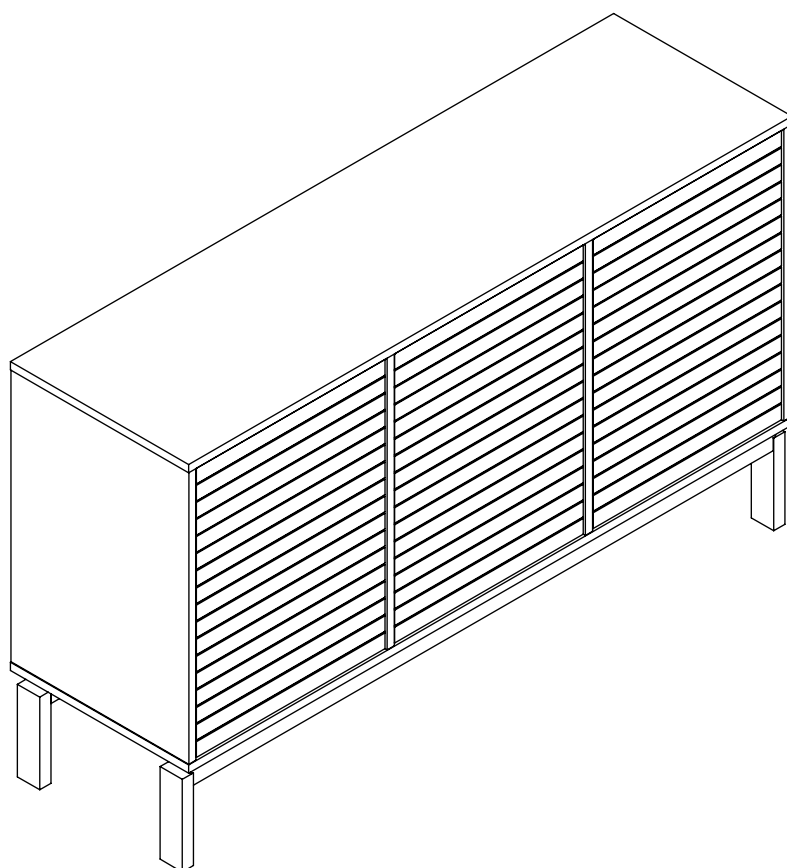
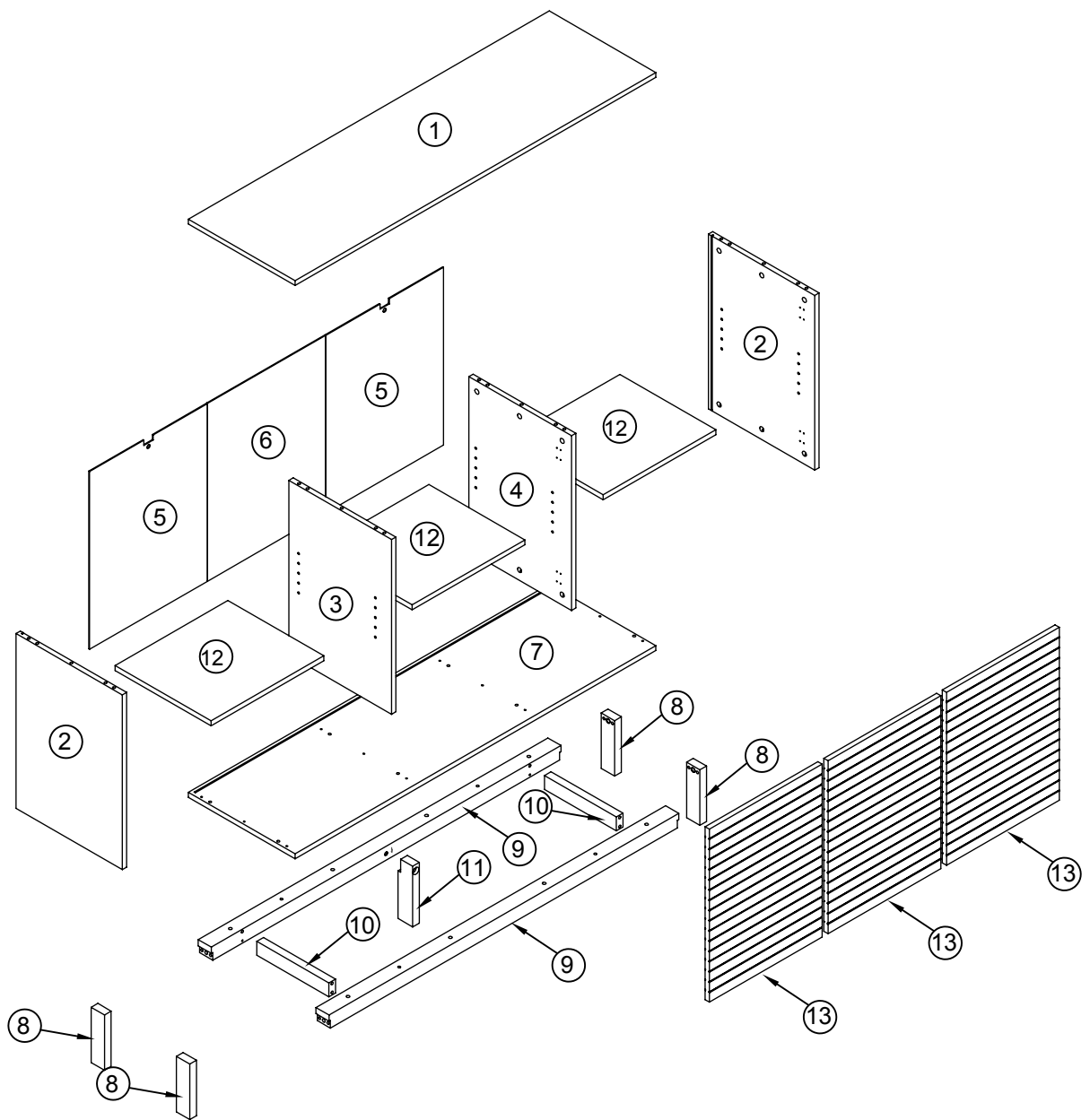


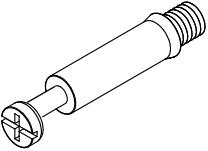
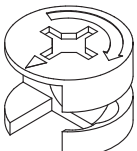
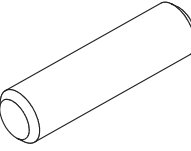
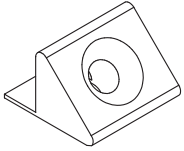
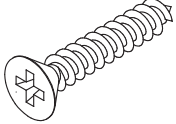
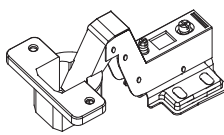
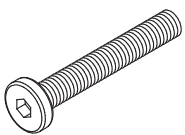
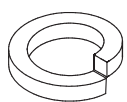
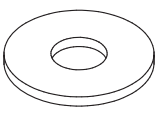
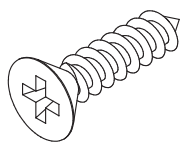
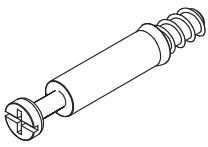
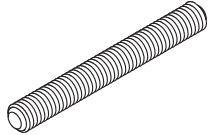
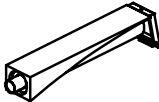
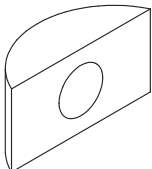
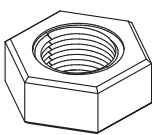
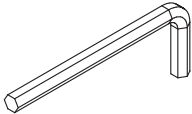
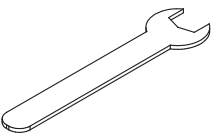
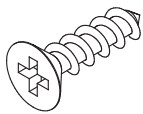
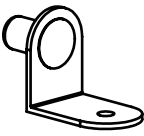
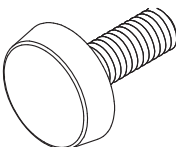

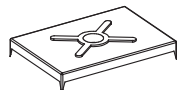
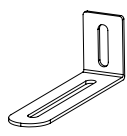
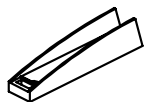
# LINLEY



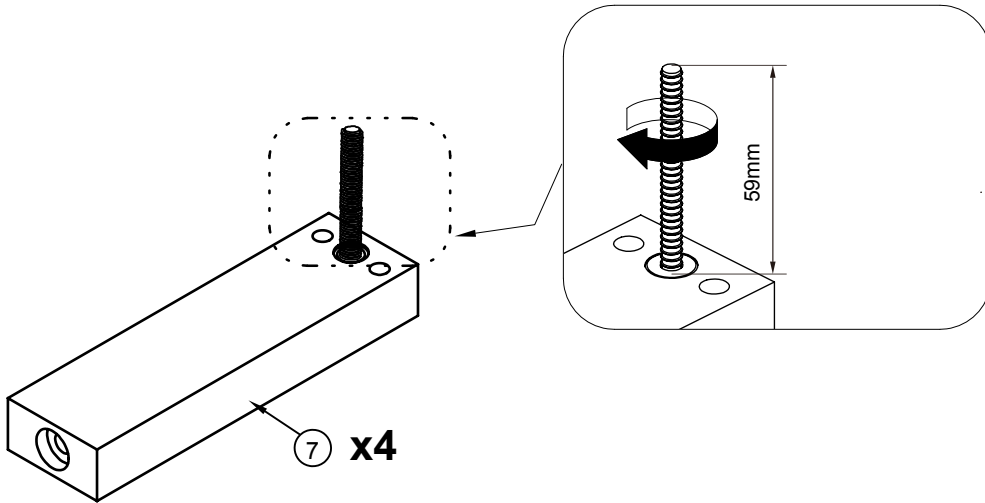
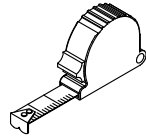
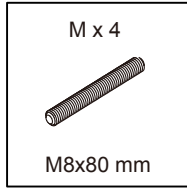
			✓
①	1	1354x400x16	
②	2	568x399x16	
③	1	568x385x16	
④	1	568x385x16	
⑤	2	578x441,5x3	
⑥	1	578x441,5x3	
⑦	1	1354x400x16	

			✓
⑧	4	180x50x25	
⑨	2	1312x49x45	
⑩	2	270x45x25	
⑪	1	195x55x25	
⑫	3	422x360x16	
⑬	3	562x422x16	

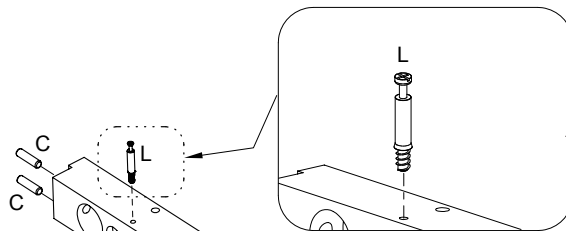
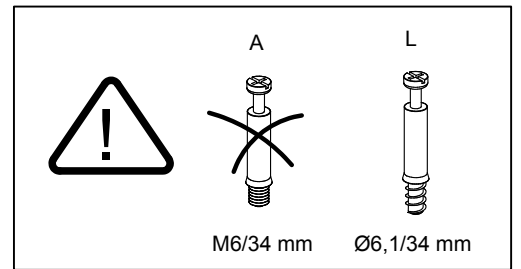
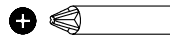
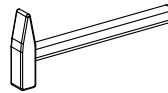
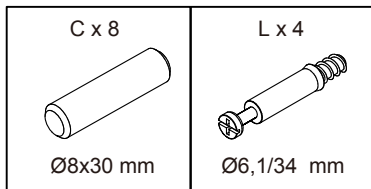


<p>A x 24</p>  <p>M6/34 mm</p>	<p>B x 28</p>  <p>Ø15x12 mm</p>	<p>C x 32</p>  <p>Ø8x30 mm</p>	<p>D x 4</p>  <p>15x15 mm</p>	<p>E x 8</p>  <p>Ø3.5x15 mm</p>
<p>F x 6</p>  <p>Ø35,FK 17</p>	<p>G x 9</p>  <p>M6x50 mm</p>	<p>H x 9</p>  <p>Ø6 mm</p>	<p>J x 9</p>  <p>Ø6/Ø16 mm</p>	<p>K x 40</p>  <p>Ø4x15 mm</p>
<p>L x 4</p>  <p>Ø6,1/34mm</p>	<p>M x 4</p>  <p>M8x80 mm</p>	<p>N x 3</p>  <p>85x13x16 mm</p>	<p>P x 4</p>  <p>27x15x6 mm</p>	<p>Q x 4</p>  <p>M8/12 mm</p>
<p>R x 1</p>  <p>4 mm</p>	<p>S x 1</p>  <p>12 mm</p>	<p>T x 9</p>  <p>Ø3x12 mm</p>	<p>U x 12</p>  <p>30x13x17 mm</p>	<p>V x 5</p>  <p>M6/Ø15x20/6 mm</p>
<p>W x 6</p>  <p>Ø4/Ø12 mm</p>	<p>X x 4</p>  <p>20x14x3 mm</p>	<p>Y x 2</p>  <p>85x30x20 mm</p>	<p>Z x 3</p>  <p>79x13x13 mm</p>	

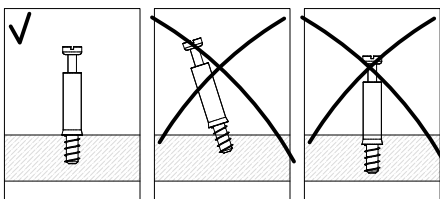
# 1



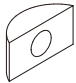
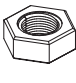
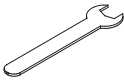
# 2

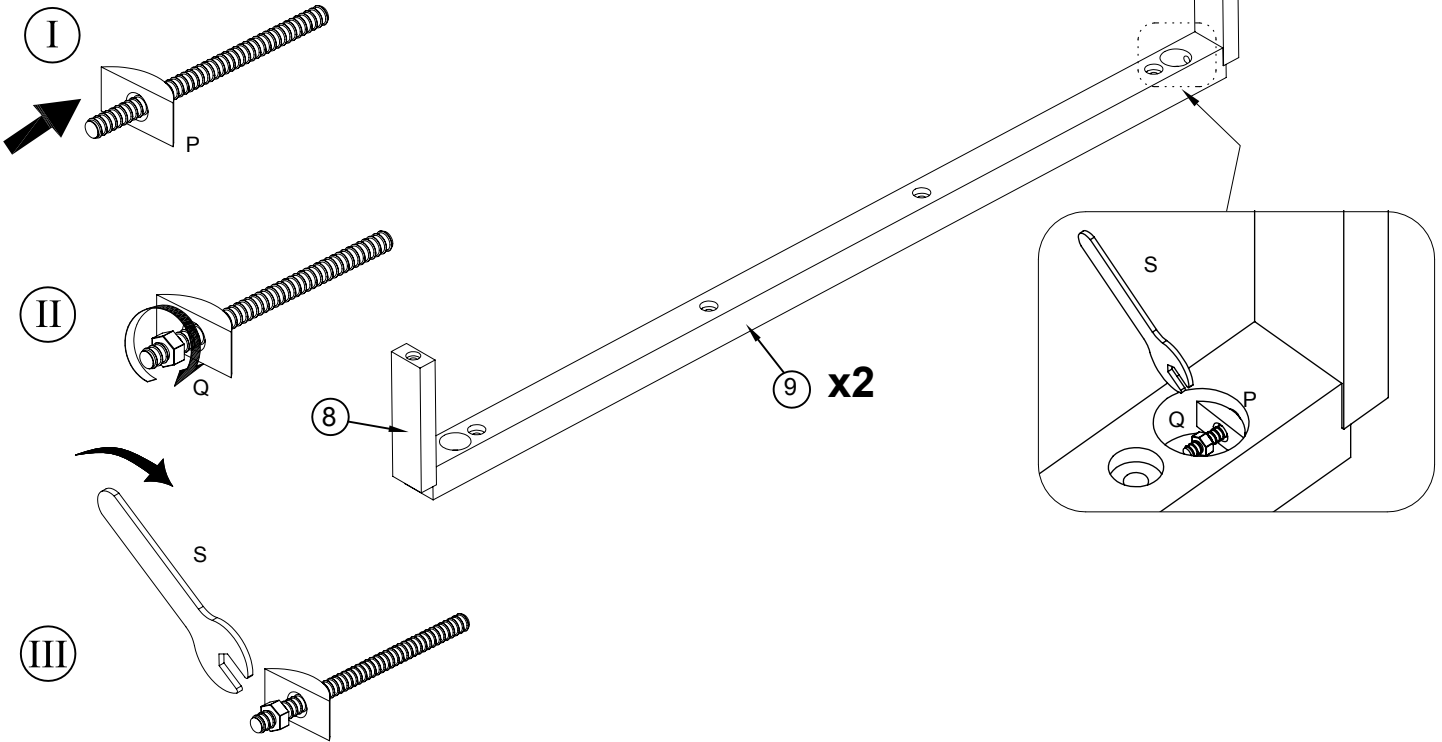


9 x2

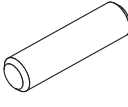


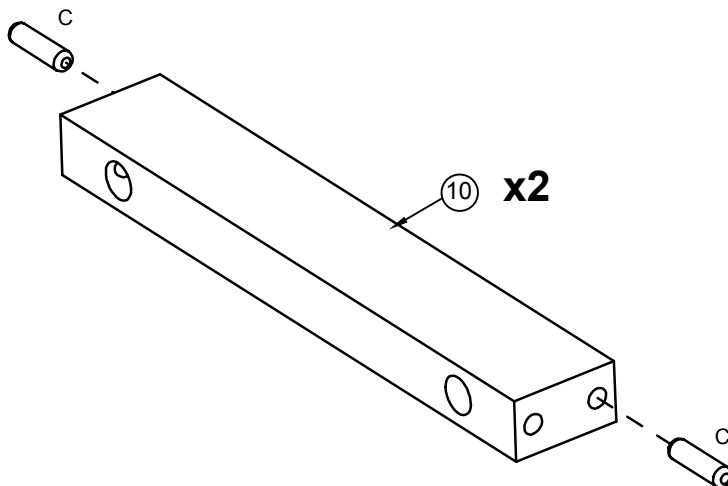
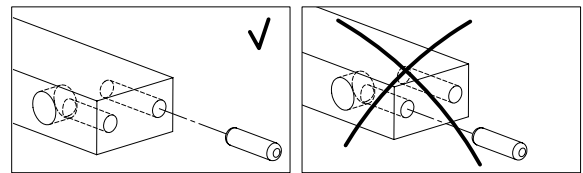
# 3

P x 4  27x15x6 mm	Q x 4  M8/12 mm	S x 1  12 mm
--	--	---

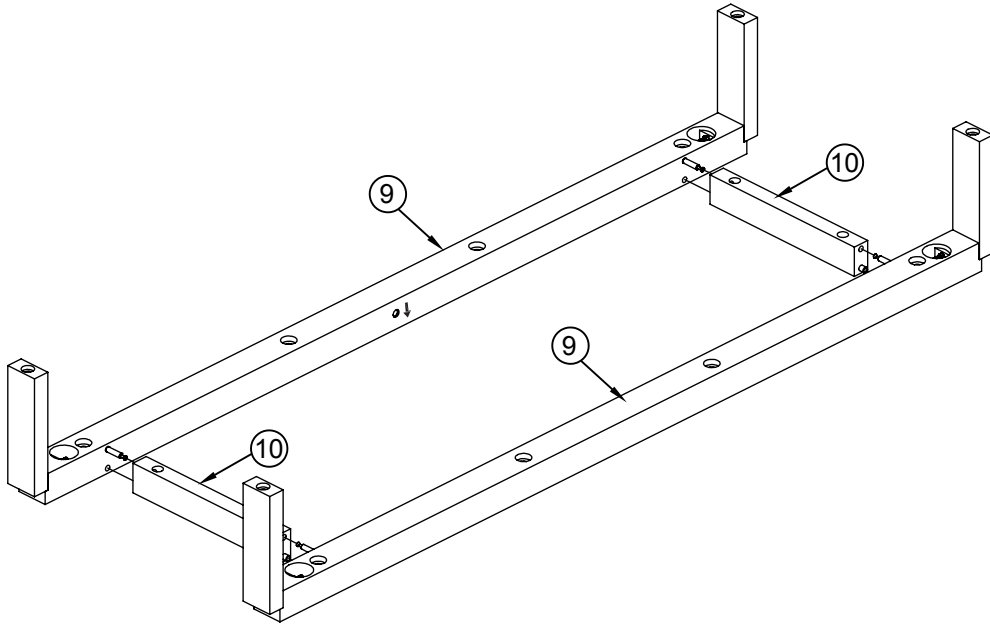


# 4

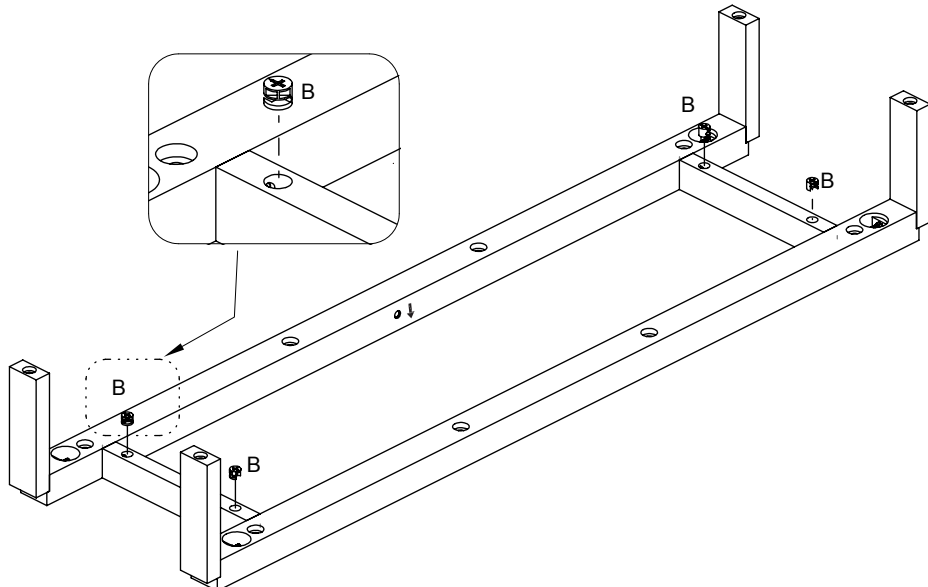
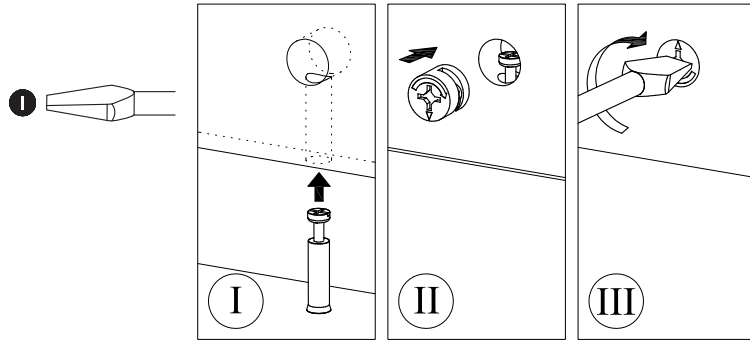
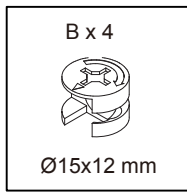
C x 4  Ø8x30 mm
--



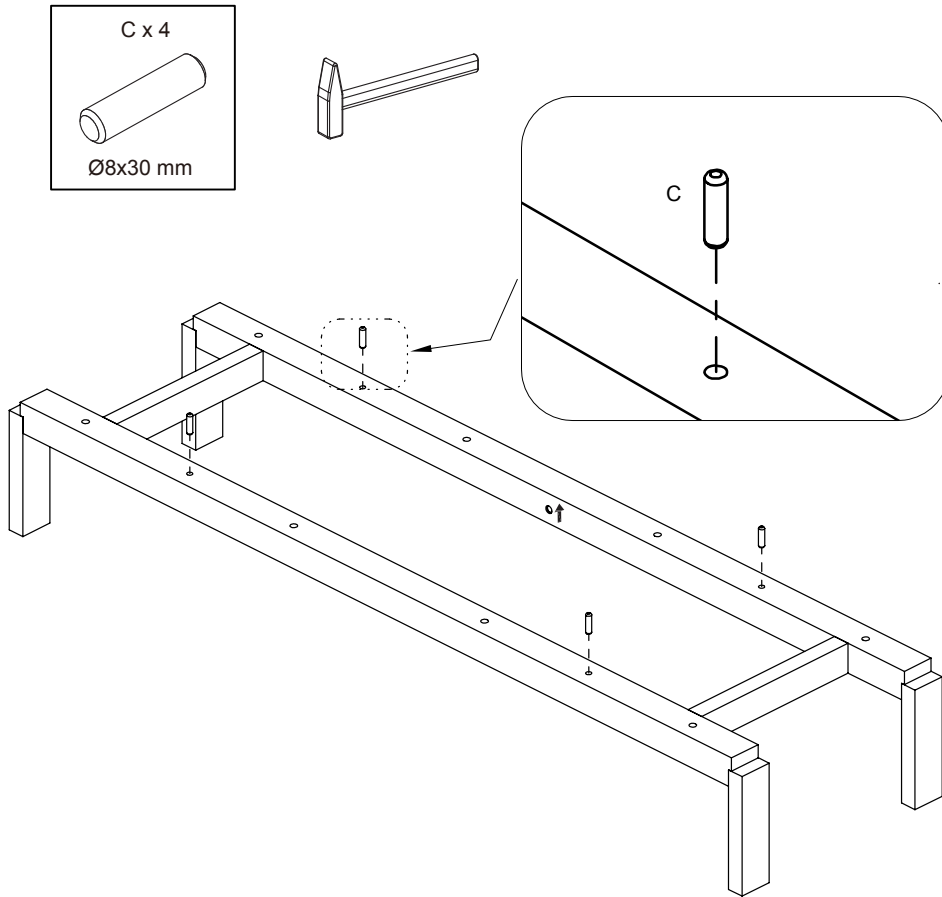
# 5



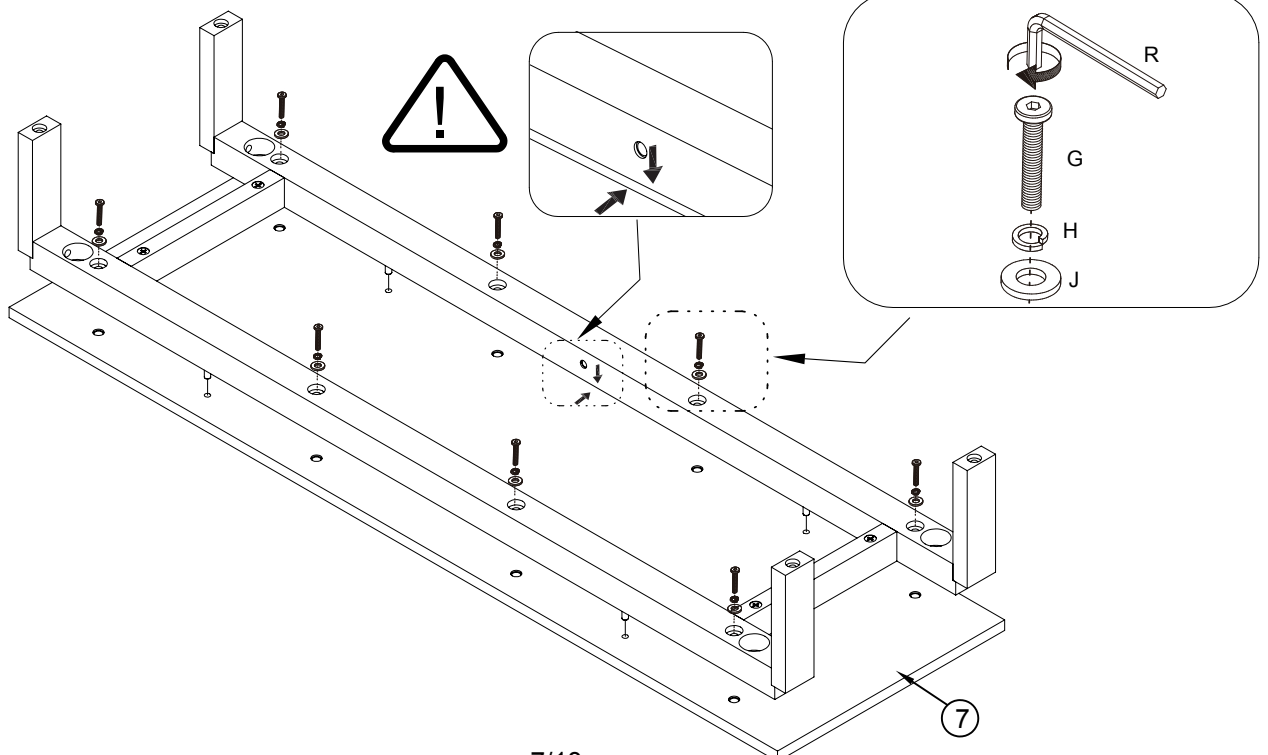
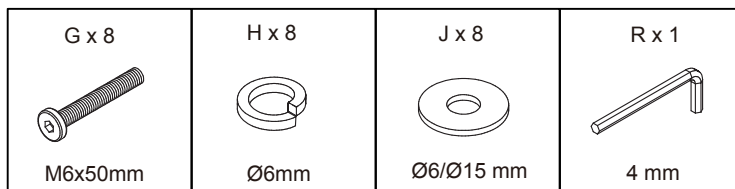
# 6



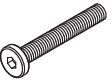
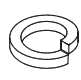
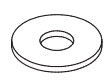
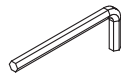
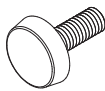
# 7

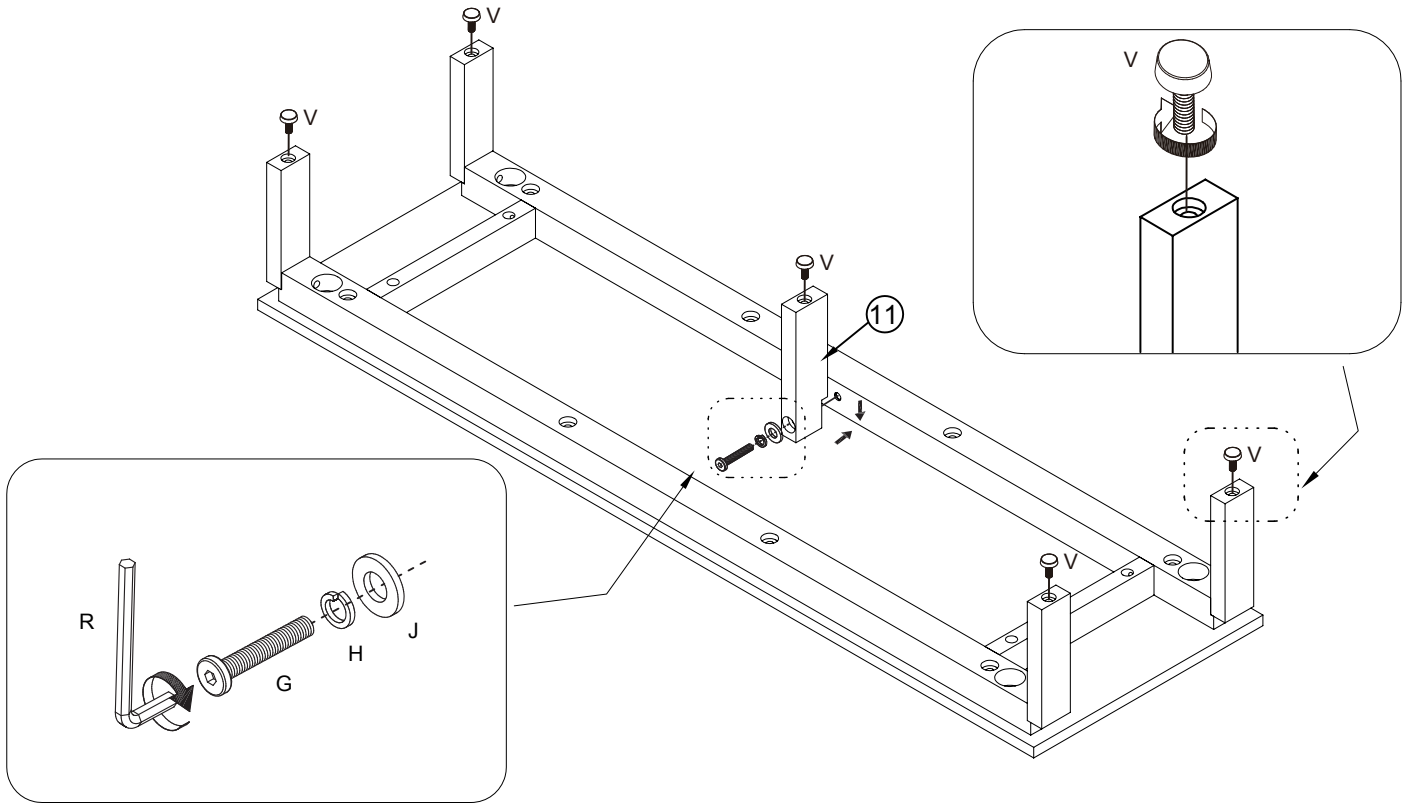


# 8

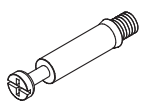


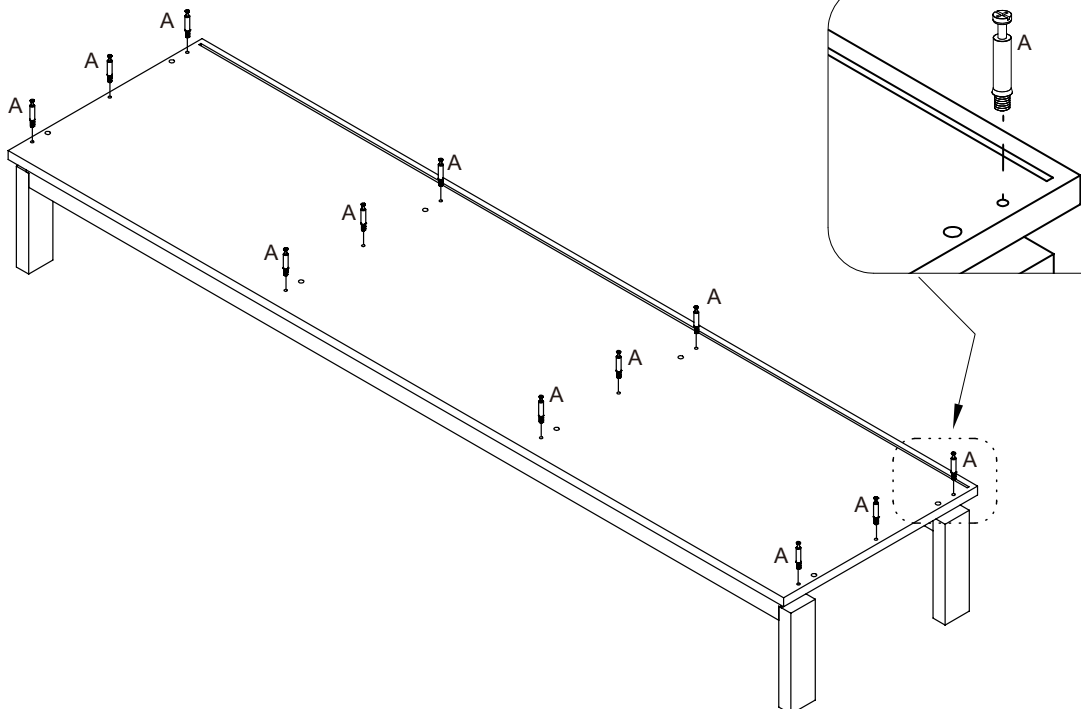
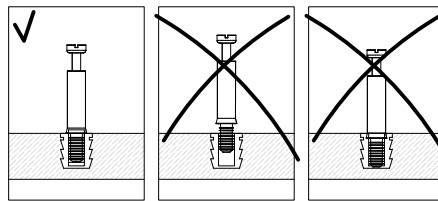
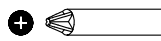
# 9

G x 1  M6x50mm	H x 1  Ø6mm	J x 1  Ø6/Ø15 mm	R x 1  4 mm	V x 5  M6/Ø15x20/6 mm
---	--	---	--	--



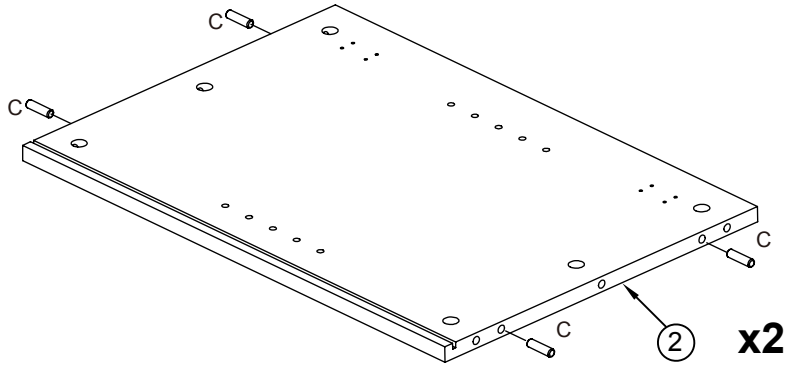
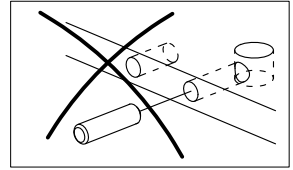
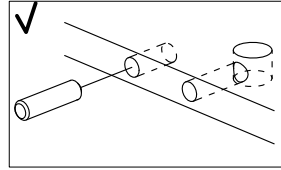
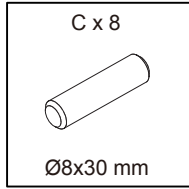
# 10

A x 12  M6/34 mm
---

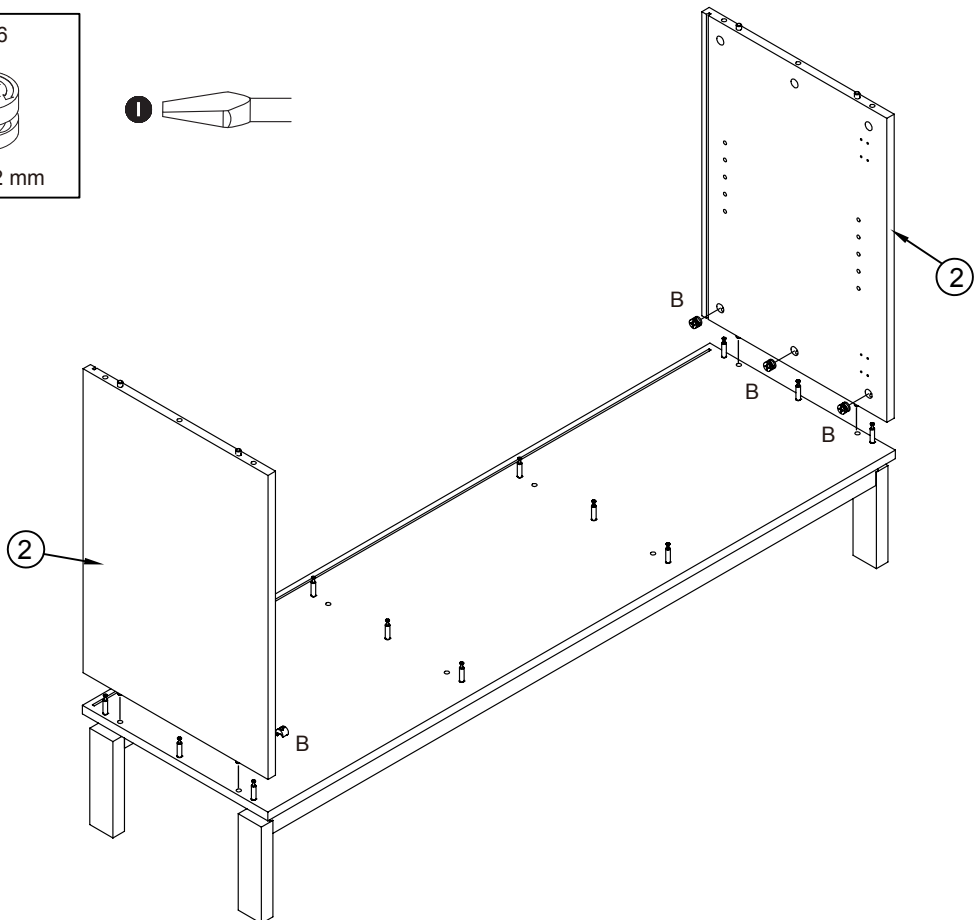
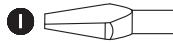
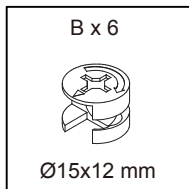




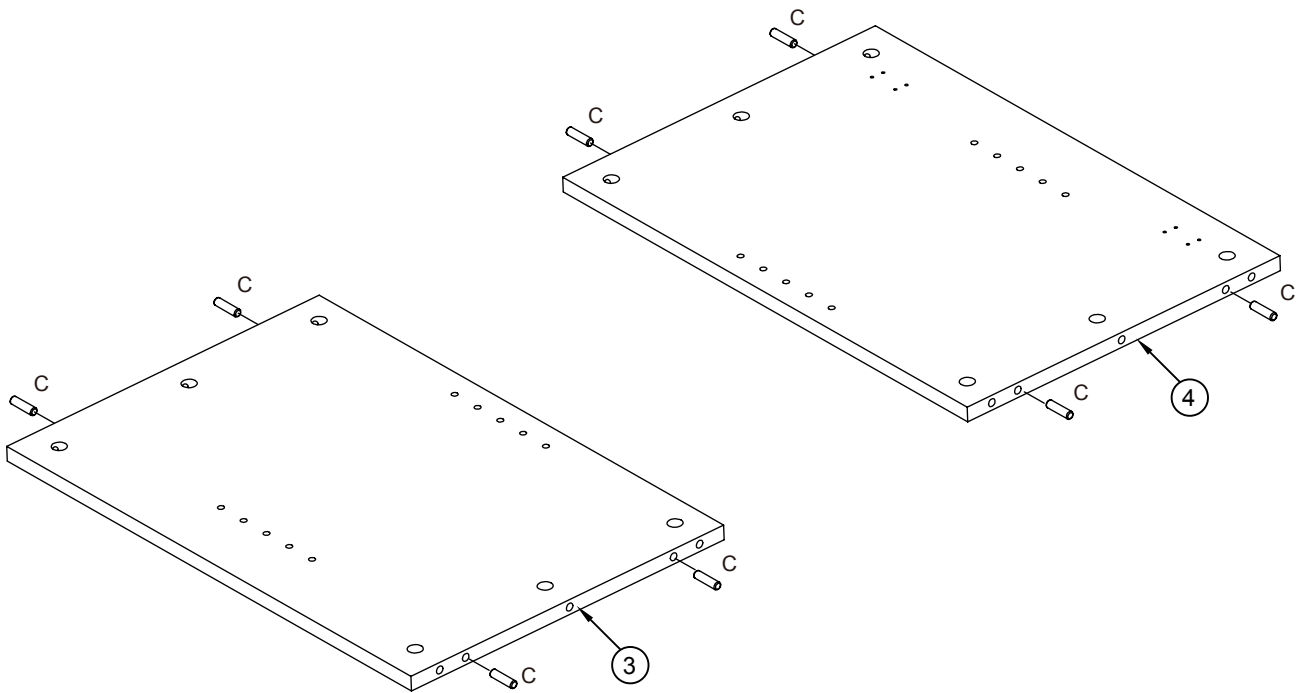
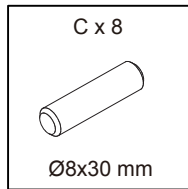
# 11



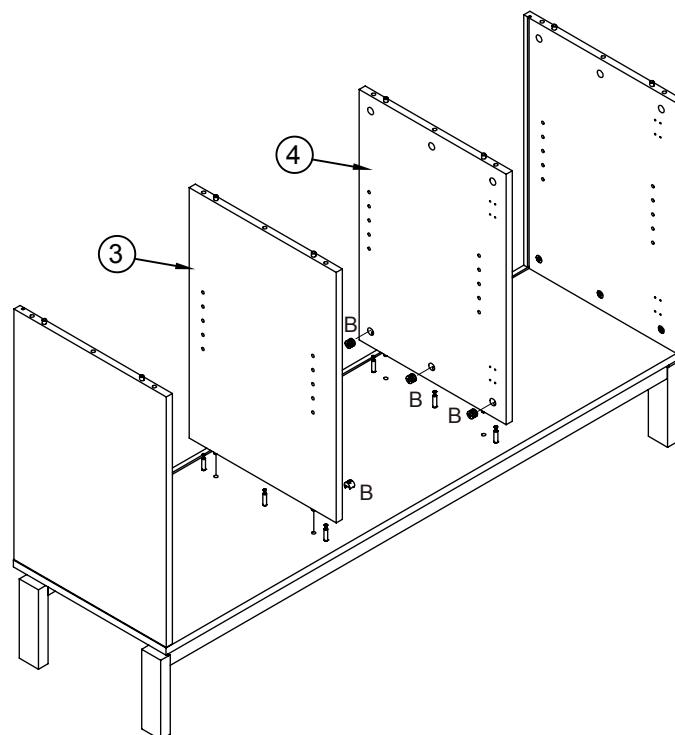
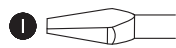
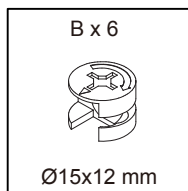
# 12



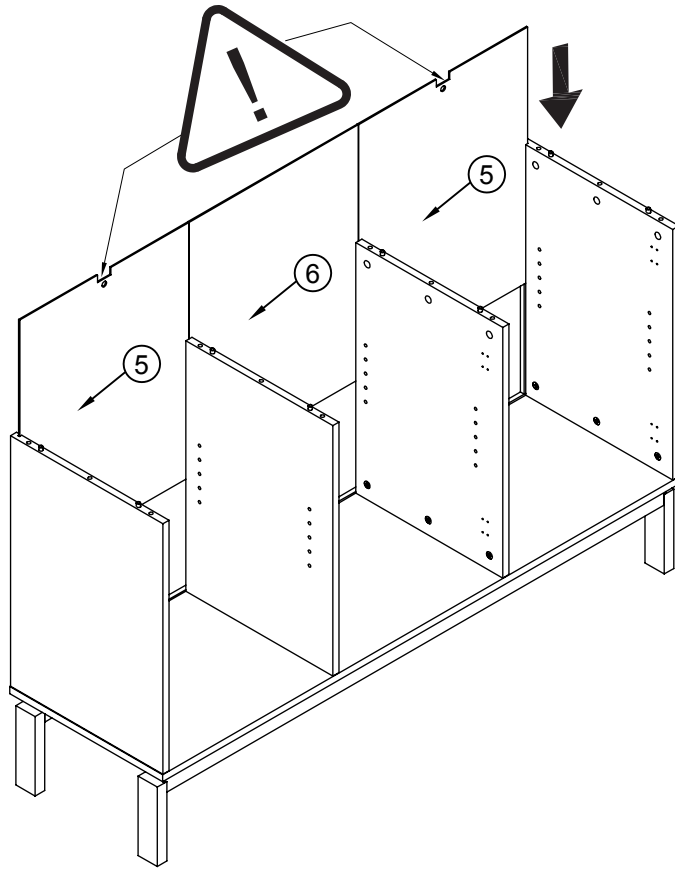
# 13



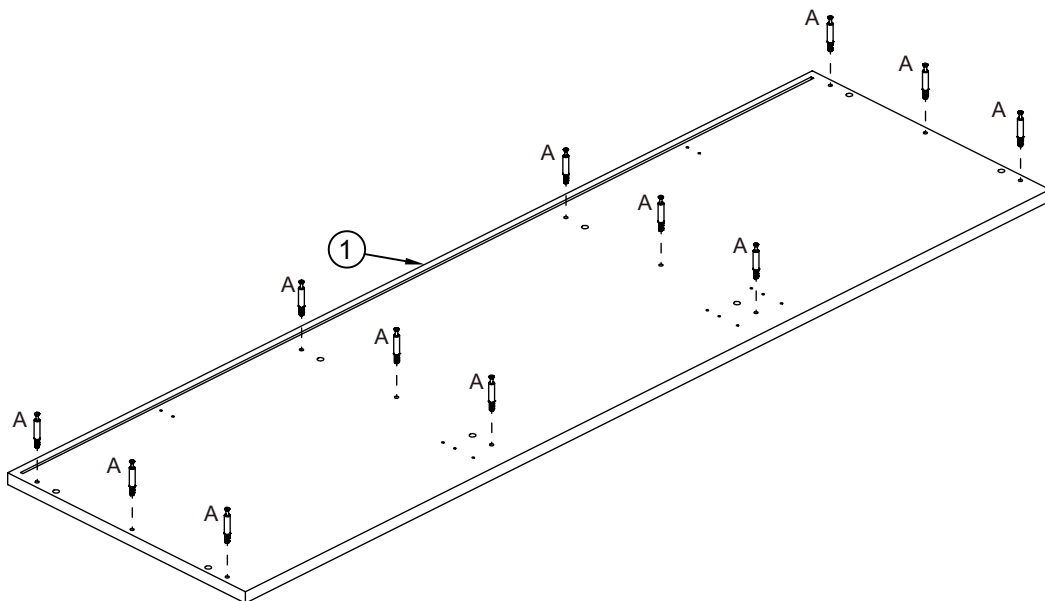
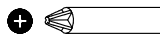
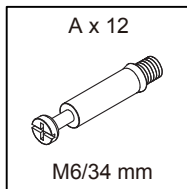
# 14






# 15

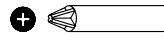




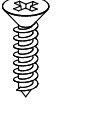
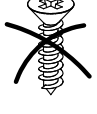
# 16

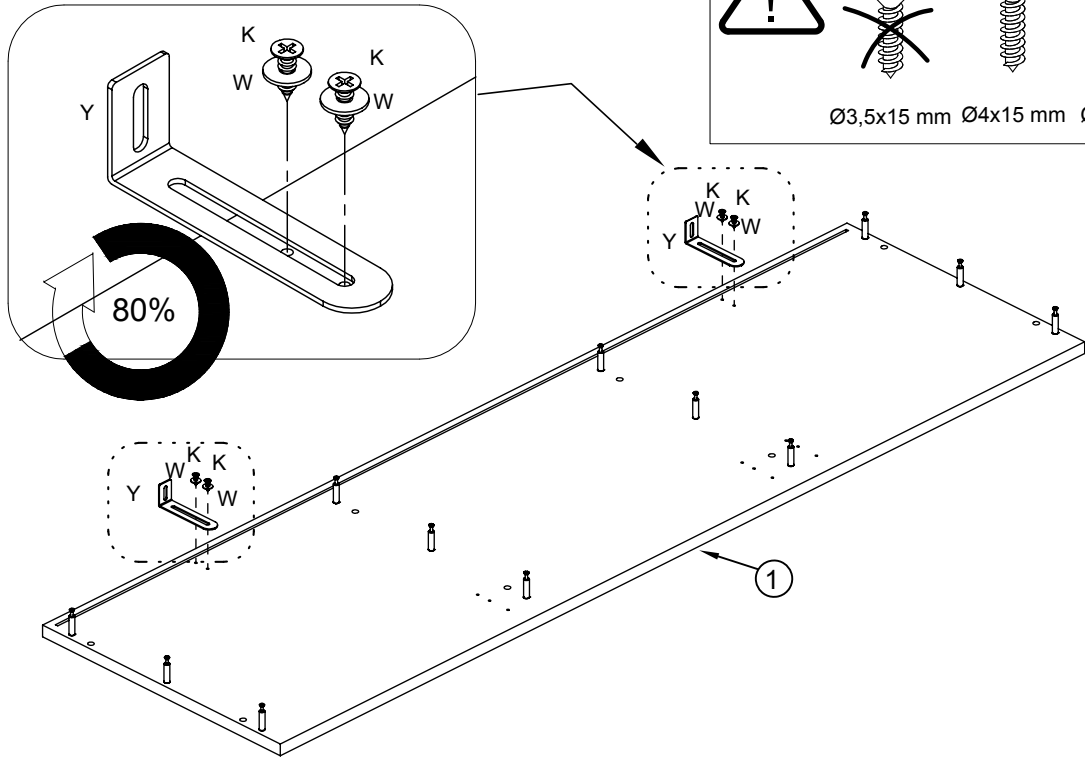


# 17

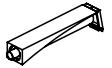
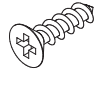

K x 4  Ø4x15mm	W x 4  Ø4/Ø12 mm	Y x 2  85x30x20 mm
---	---	---

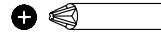





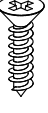
	E 	K 	T 
	<del>Ø3,5x15 mm</del>	Ø4x15 mm	<del>Ø3x12 mm</del>

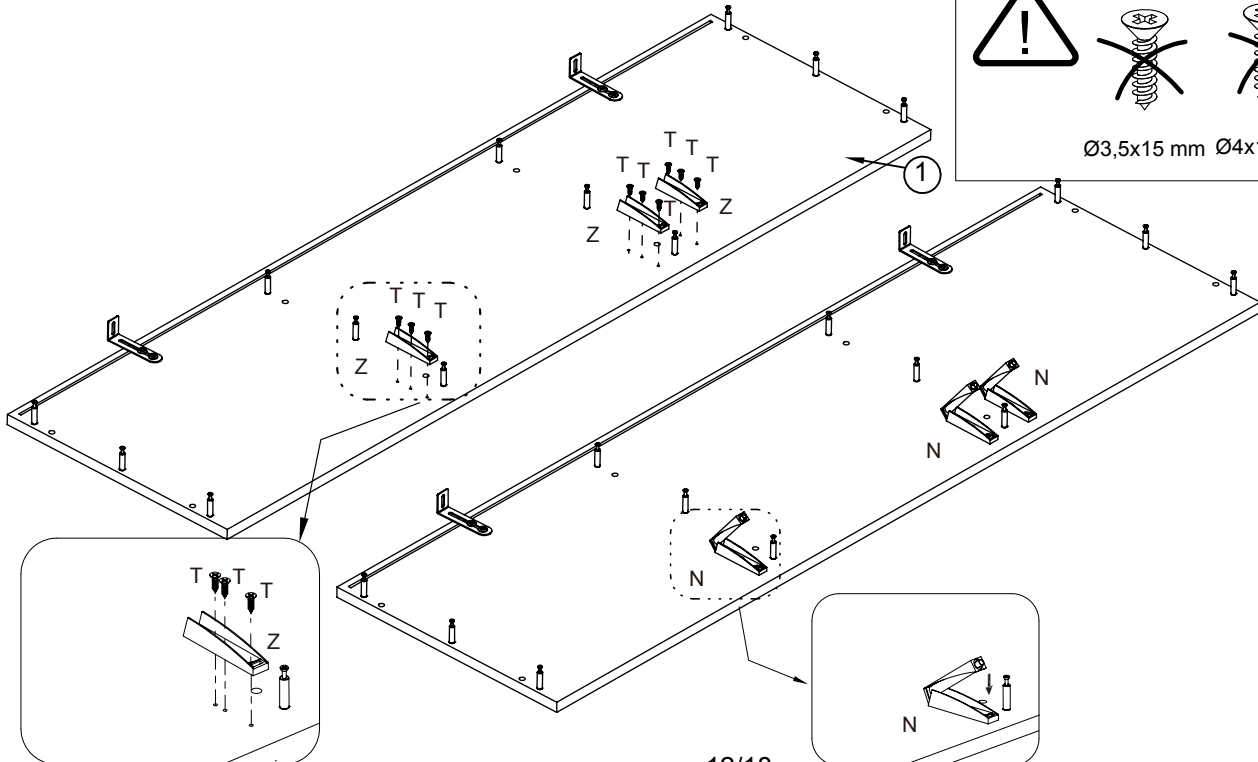


# 18

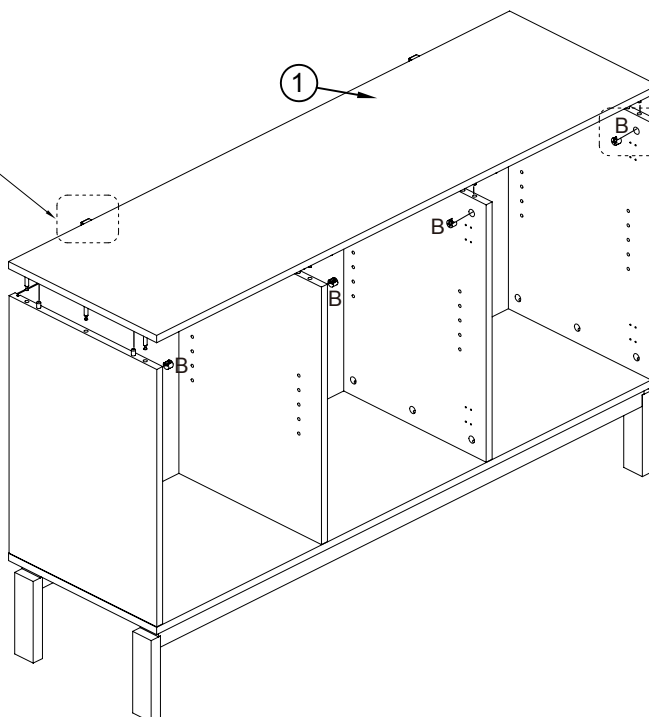
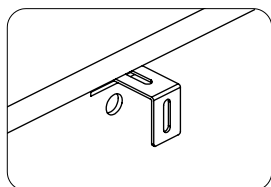
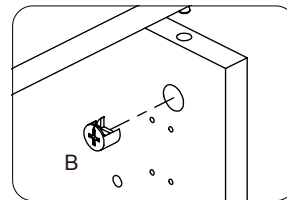
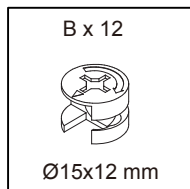
N x 3  85x13x16 mm	T x 9  Ø3x12 mm	Z x 3  79x13x13 mm
---	--	---



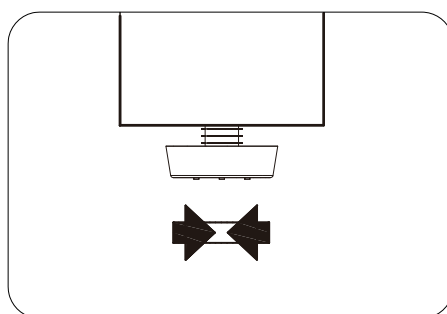
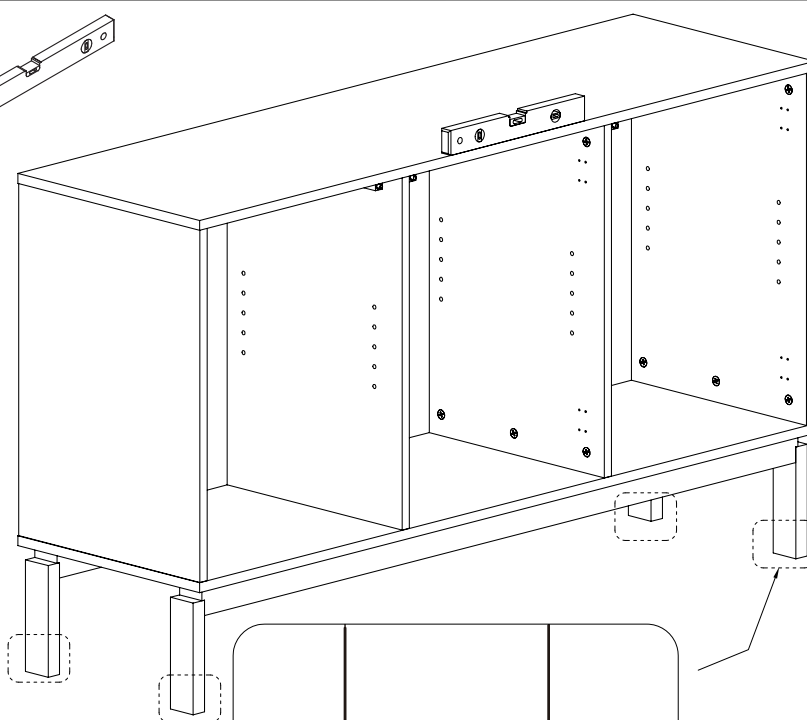
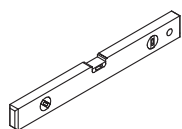
	E 	K 	T 
	<del>Ø3,5x15 mm</del>	<del>Ø4x15 mm</del>	Ø3x12 mm



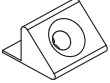


# 19

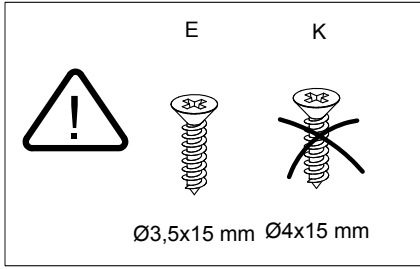
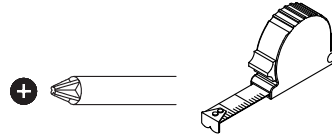


# 20

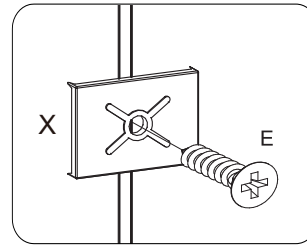
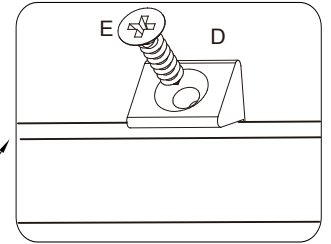
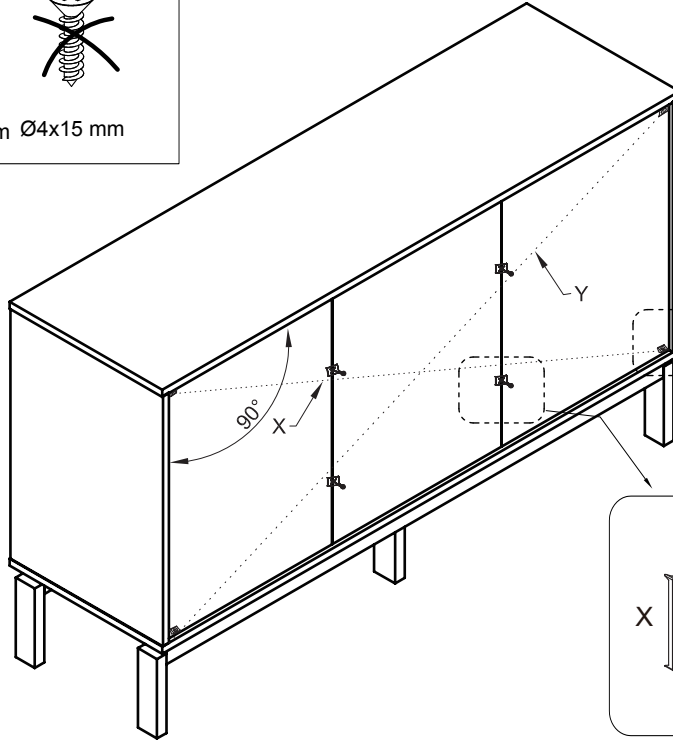


# 21


D x 4  15x15 mm	E x 8  Ø3,5x15 mm	X x 4  20x14x3 mm
--	--	--

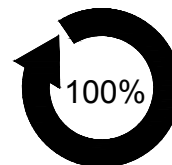
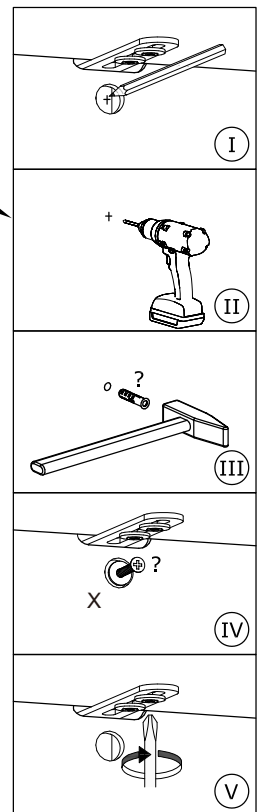
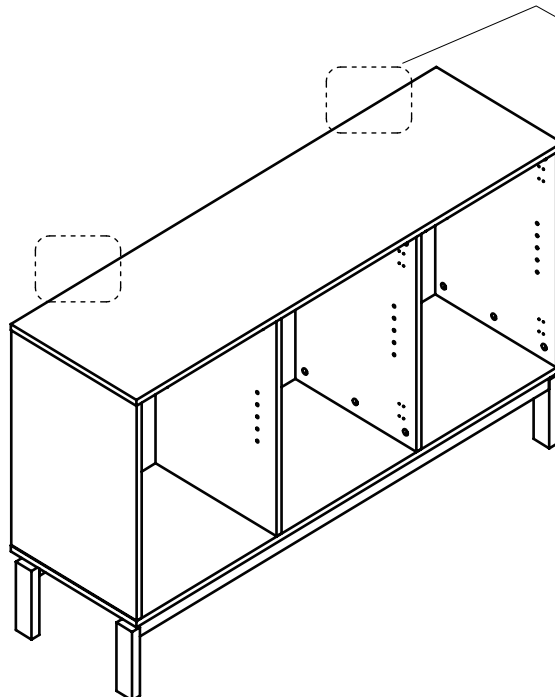
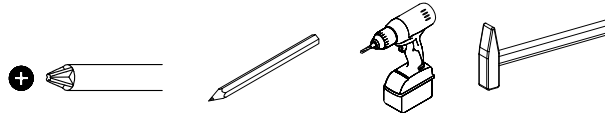


X=Y

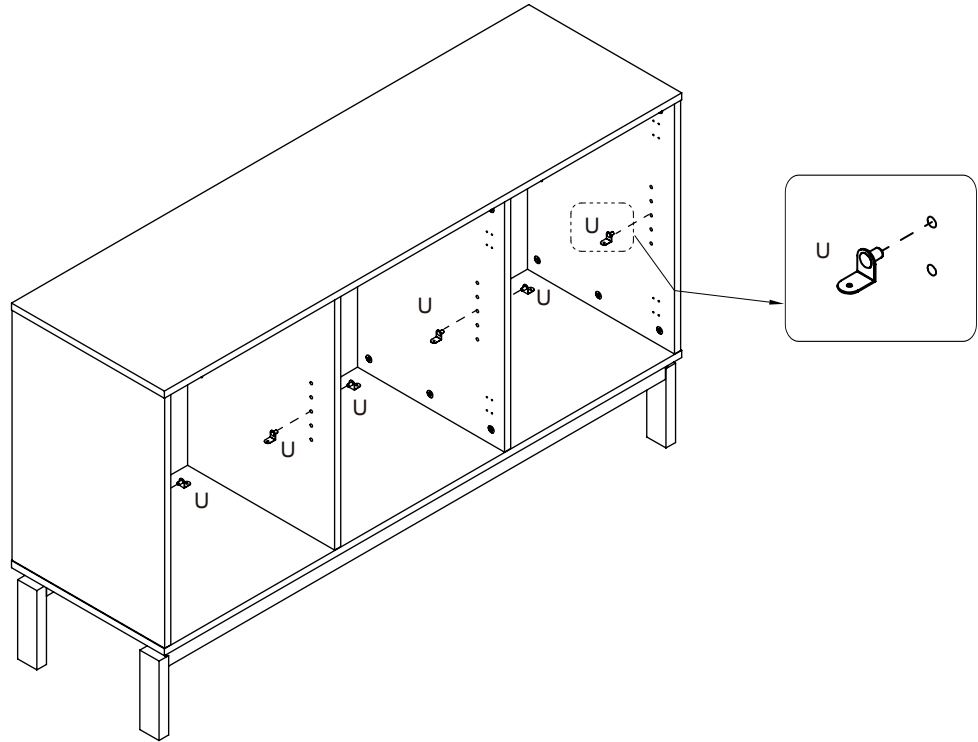
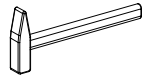
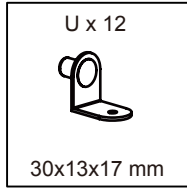


# 22

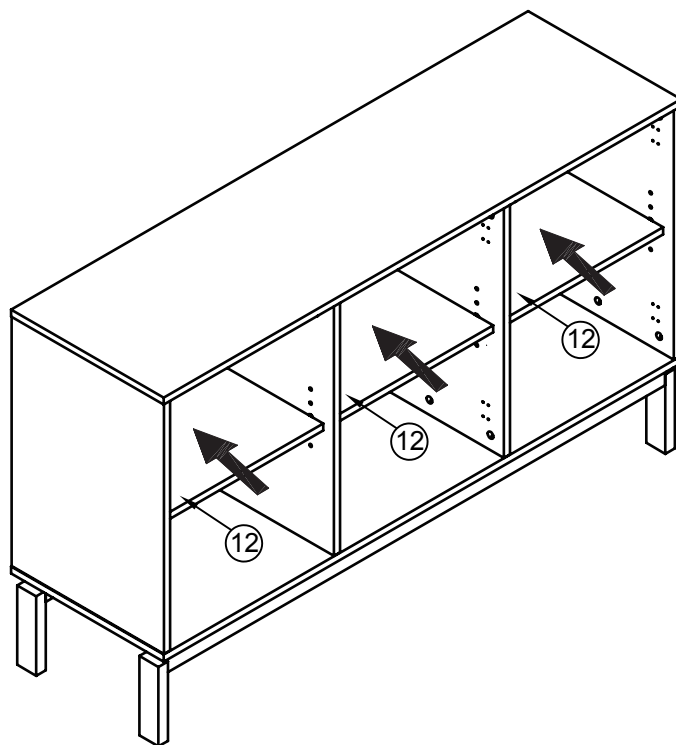
W x 2  Ø4/Ø12 mm
---



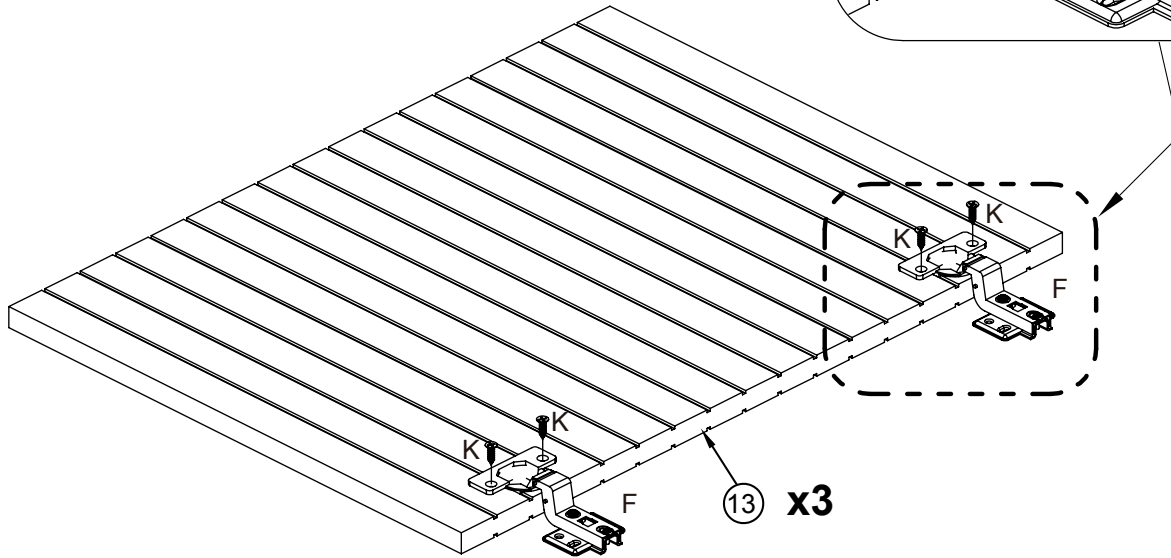
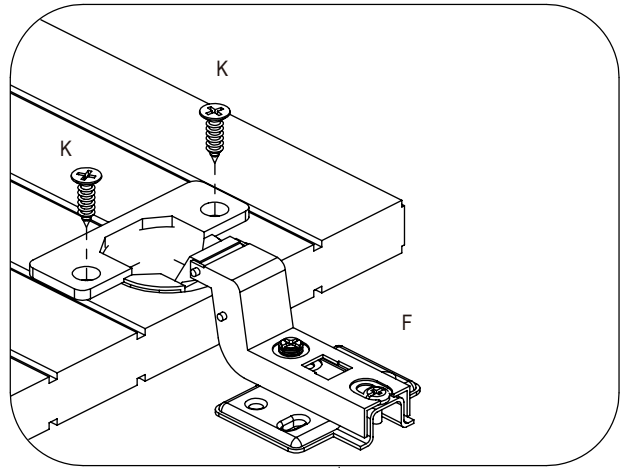
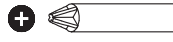
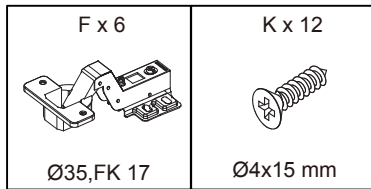
# 23



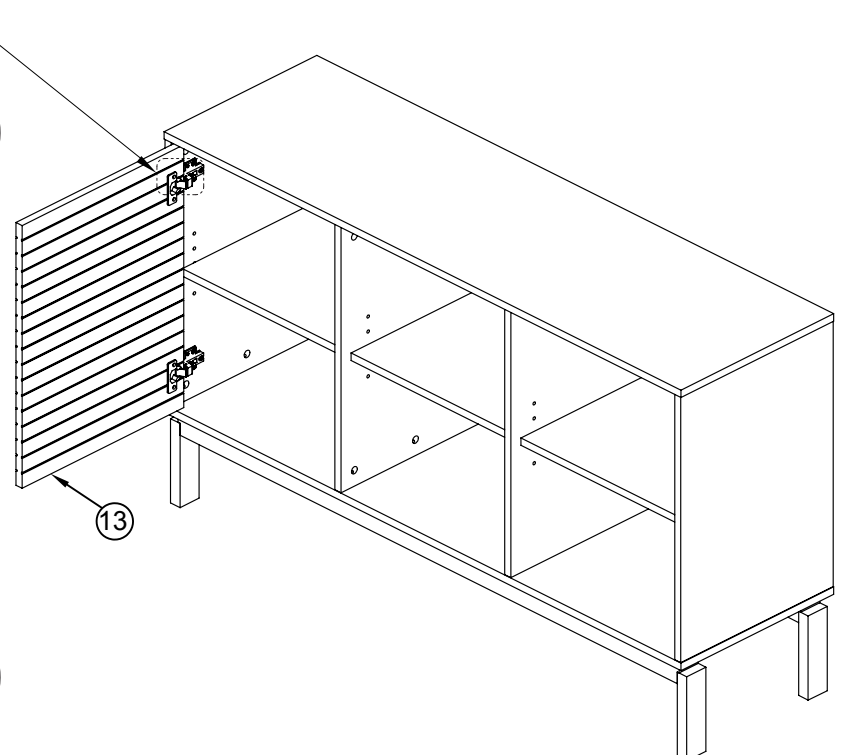
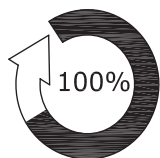
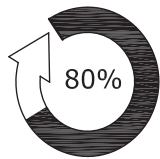
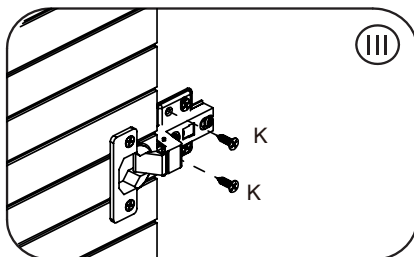
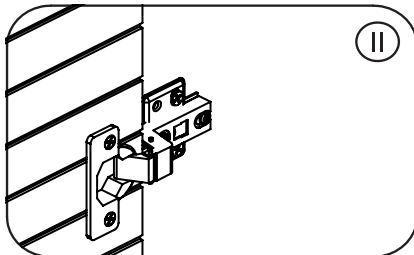
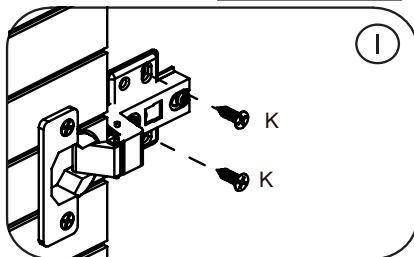
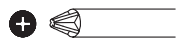
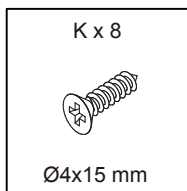
# 24



# 25

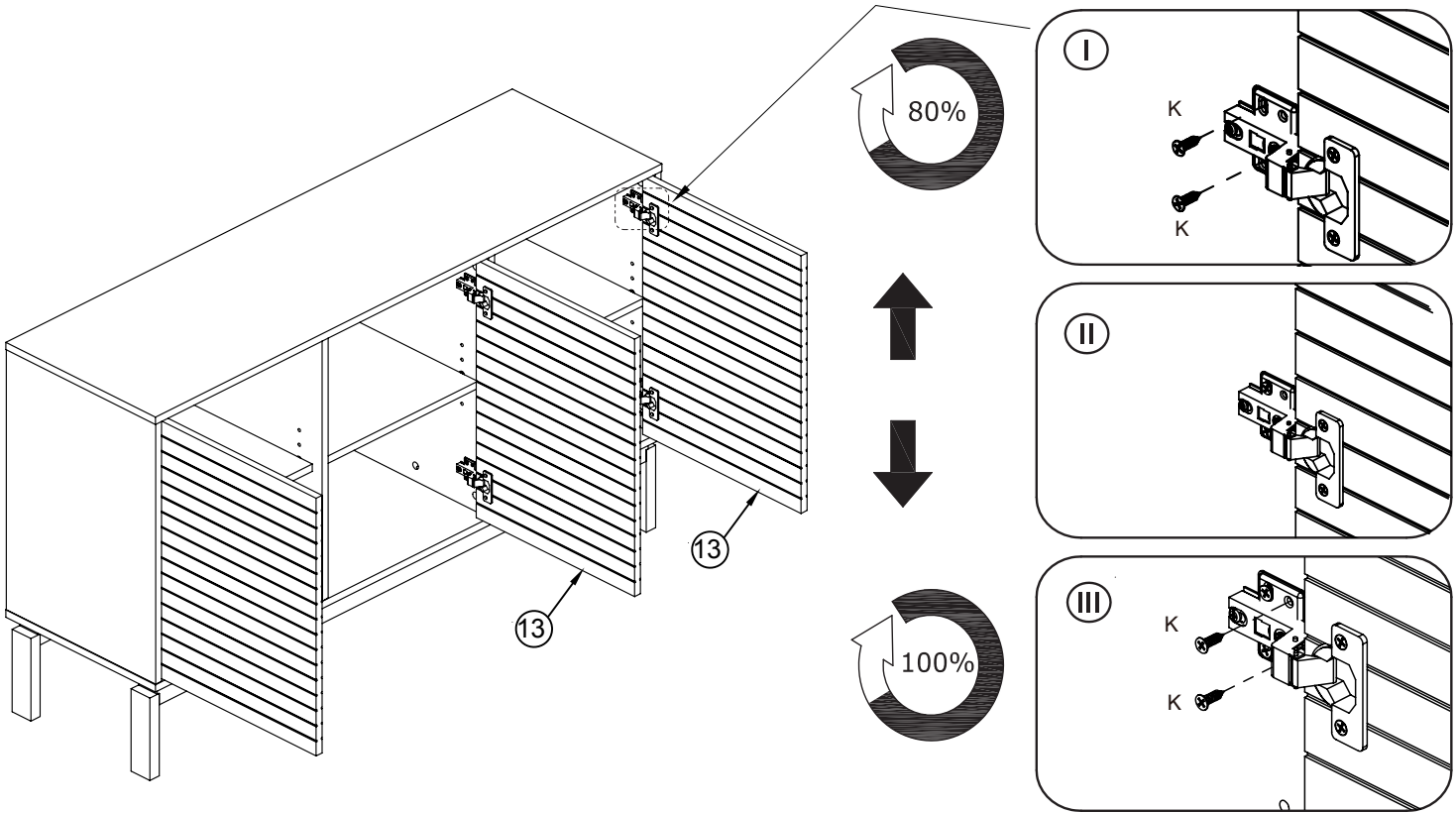
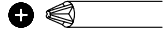
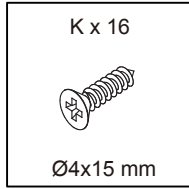


# 26

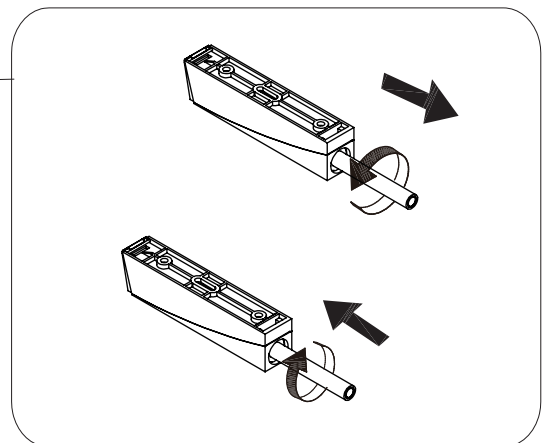
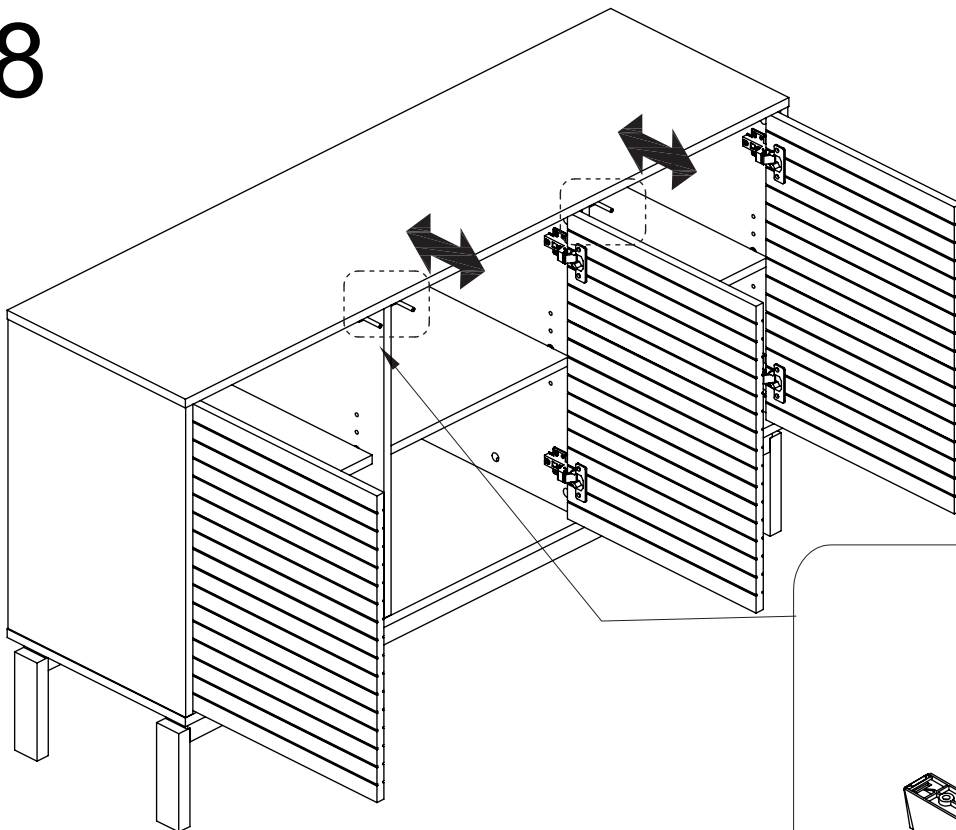




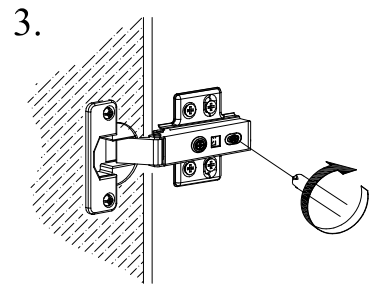
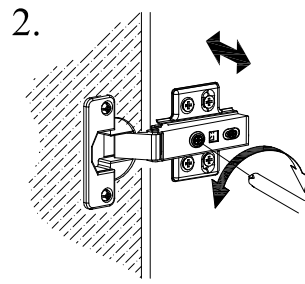
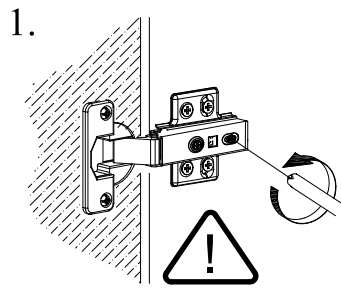
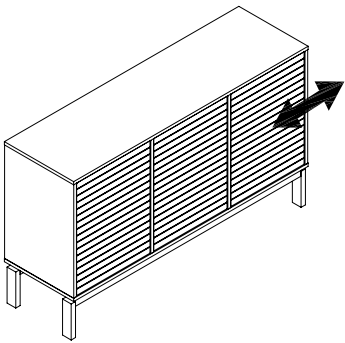
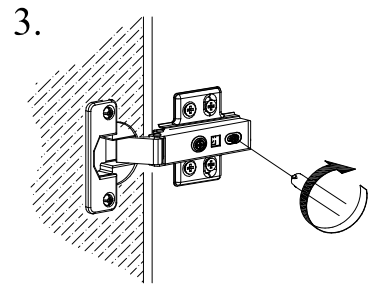
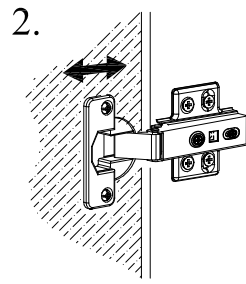
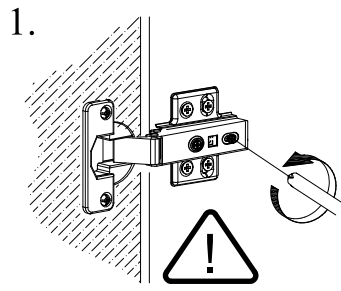
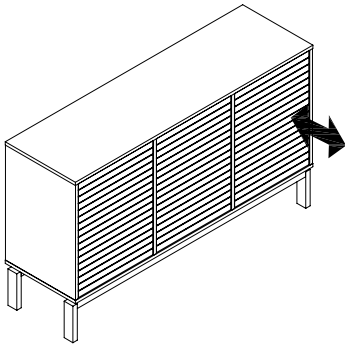
# 27



# 28



# 29



# 30

