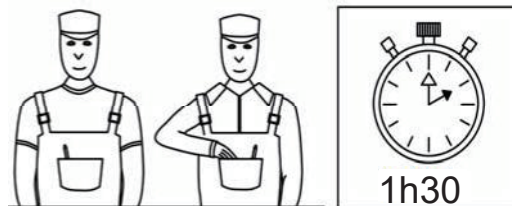
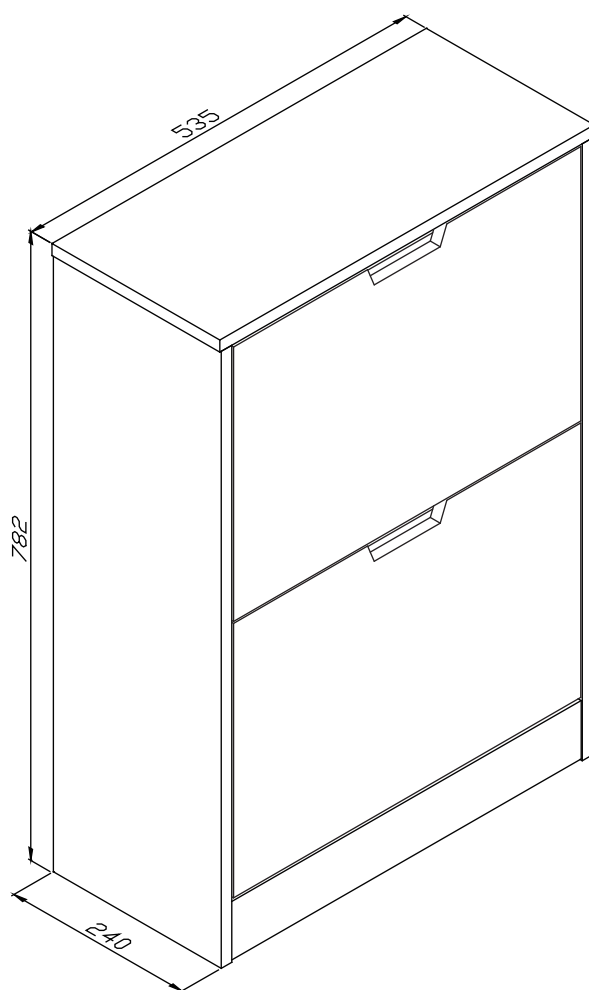
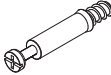

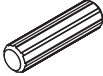

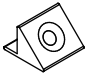







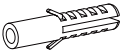
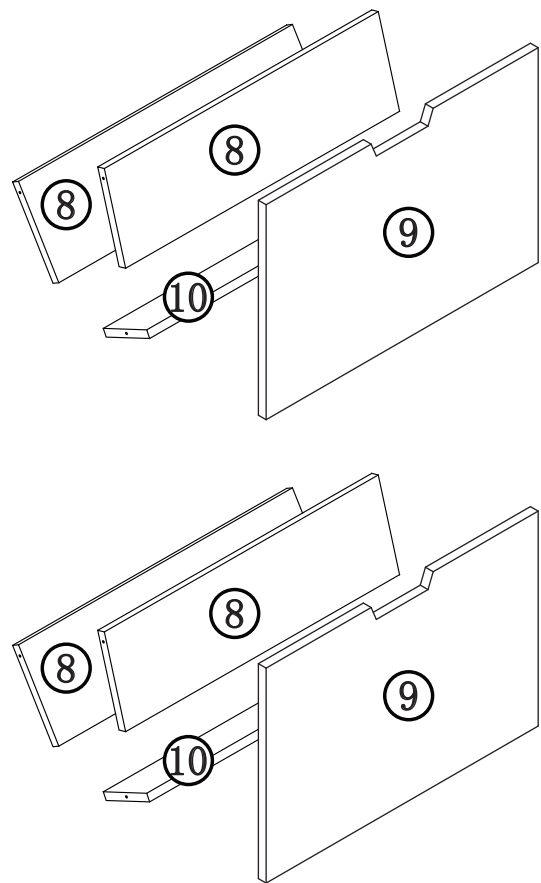
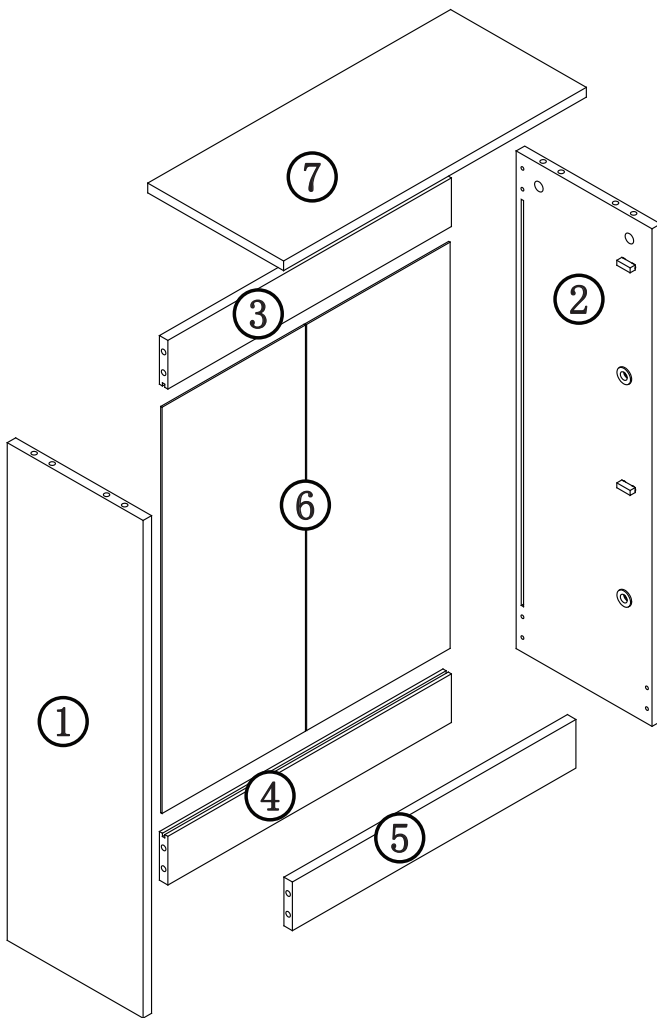


2 DRAWER SHOE CABINET

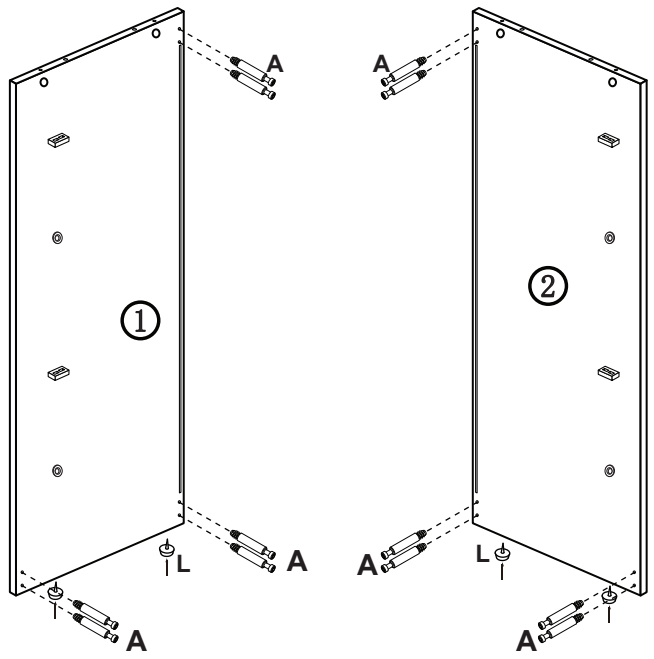
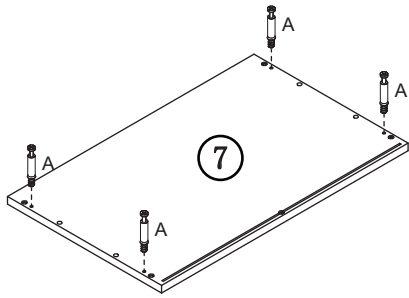


A		7X35MM	16X
B		15X9.5MM	16X
C		8X30MM	4X
D		4X35MM	2X
E			6X
F		3X14MM	6X
G		3.5X14MM	24X

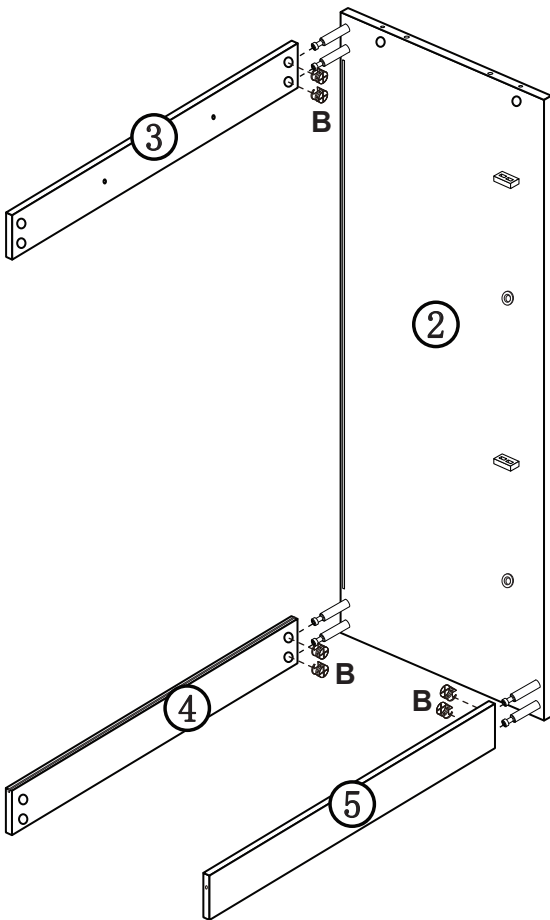
H		4X12MM	4X
I			2X
J			2X
K			4X
L			4X
M			2X



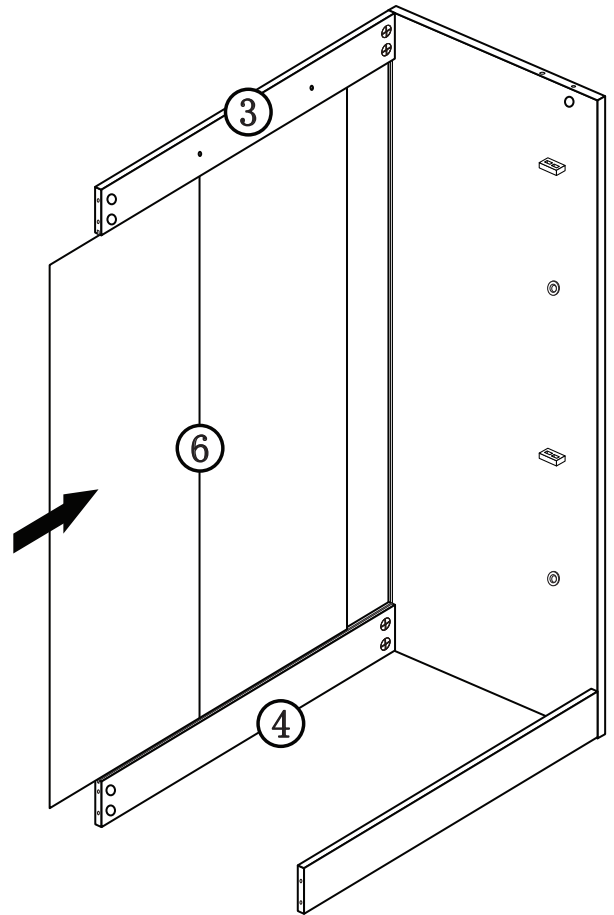
1



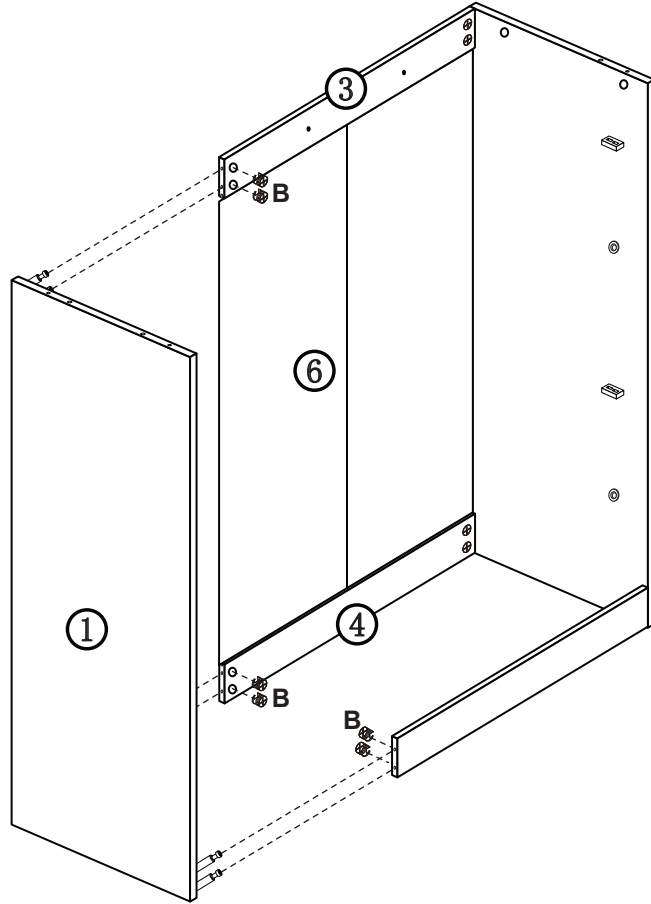
2



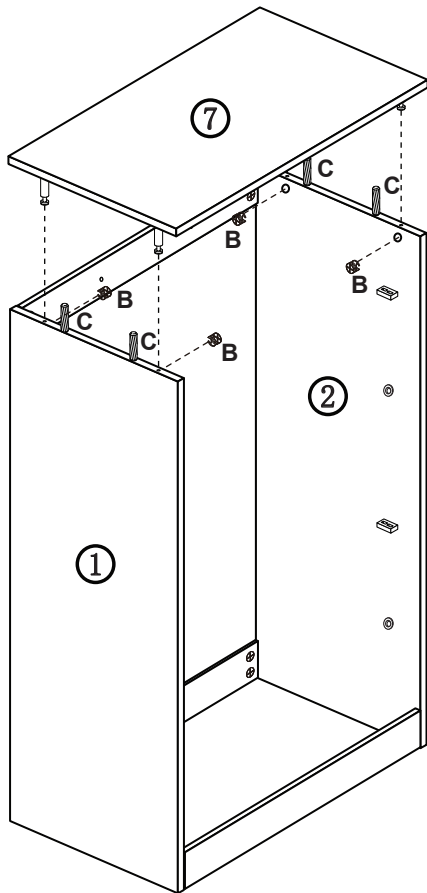
3



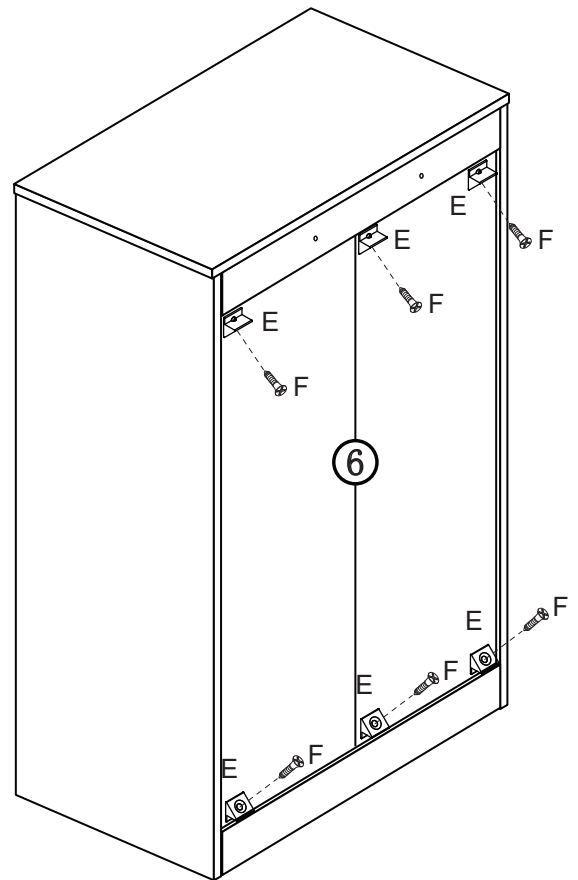
4



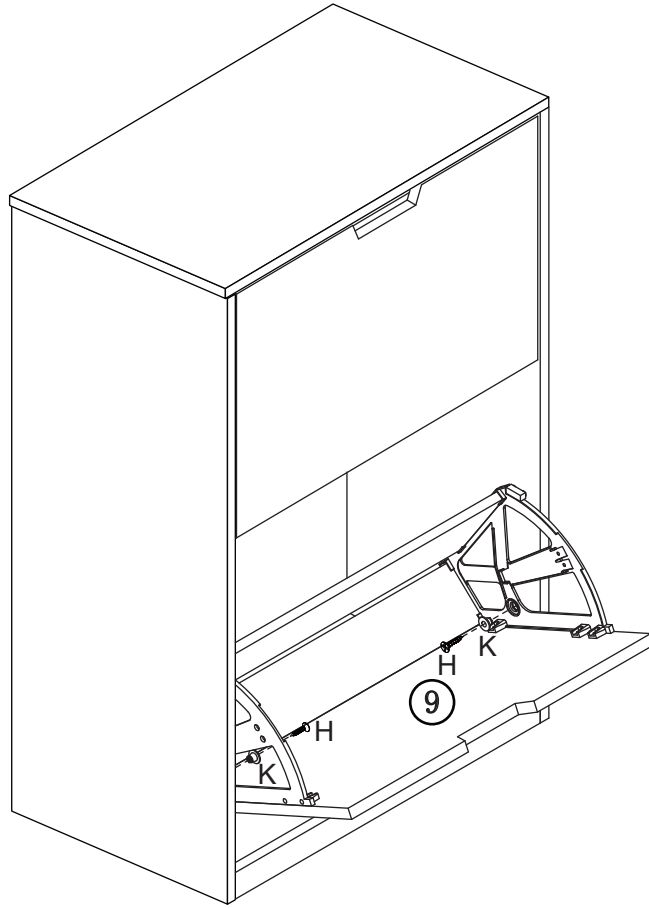
5



6



9



10

