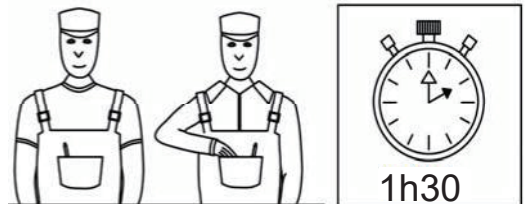
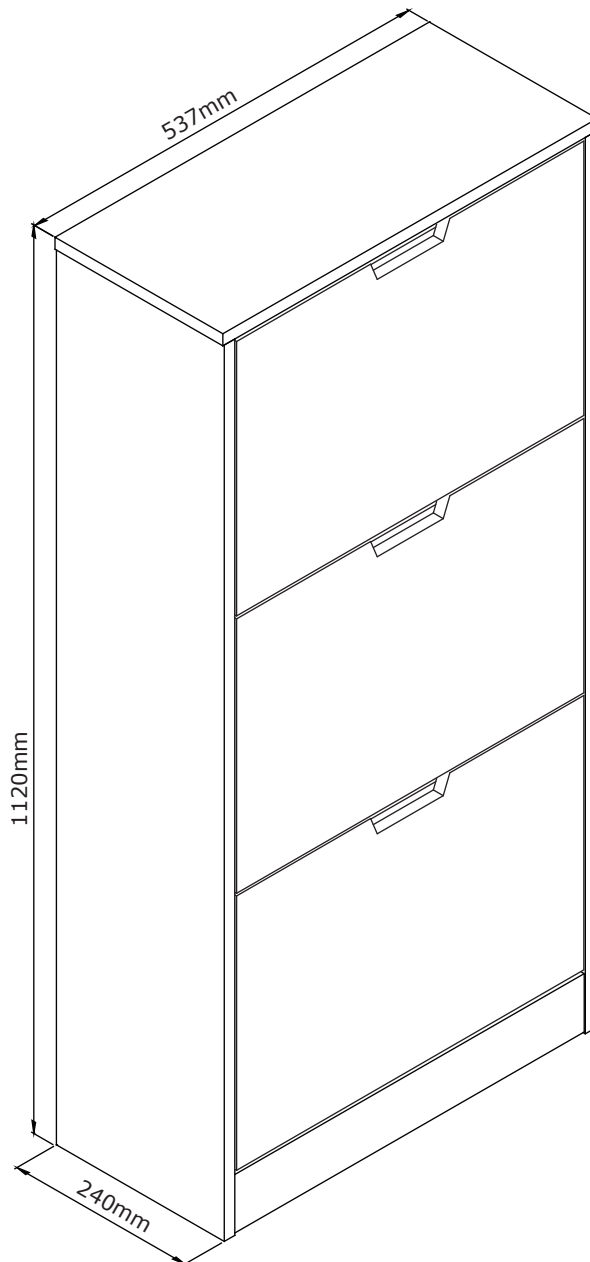
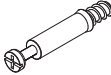

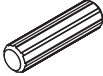

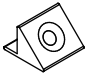







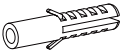


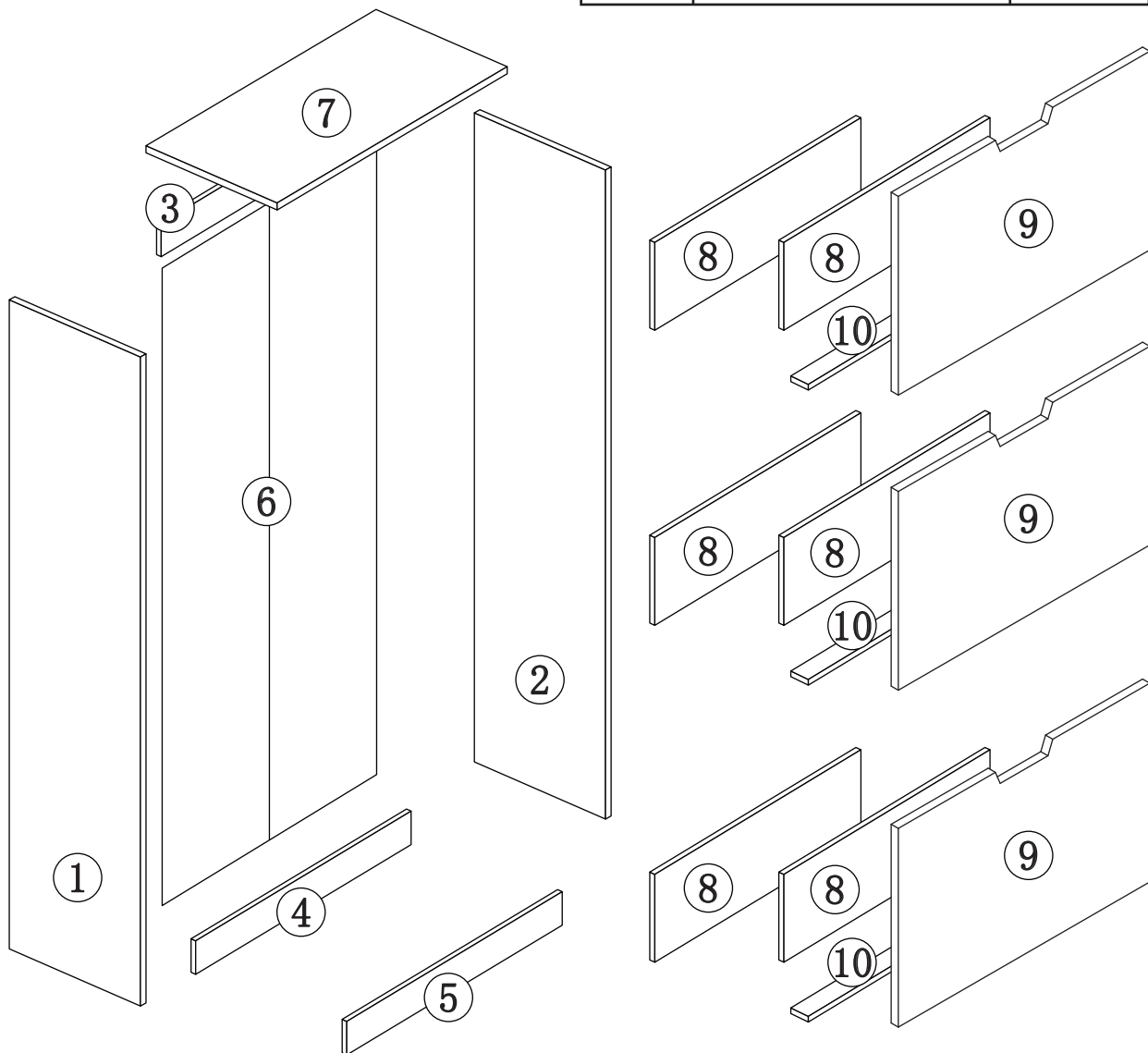


3 DRAWER SHOE CABINET

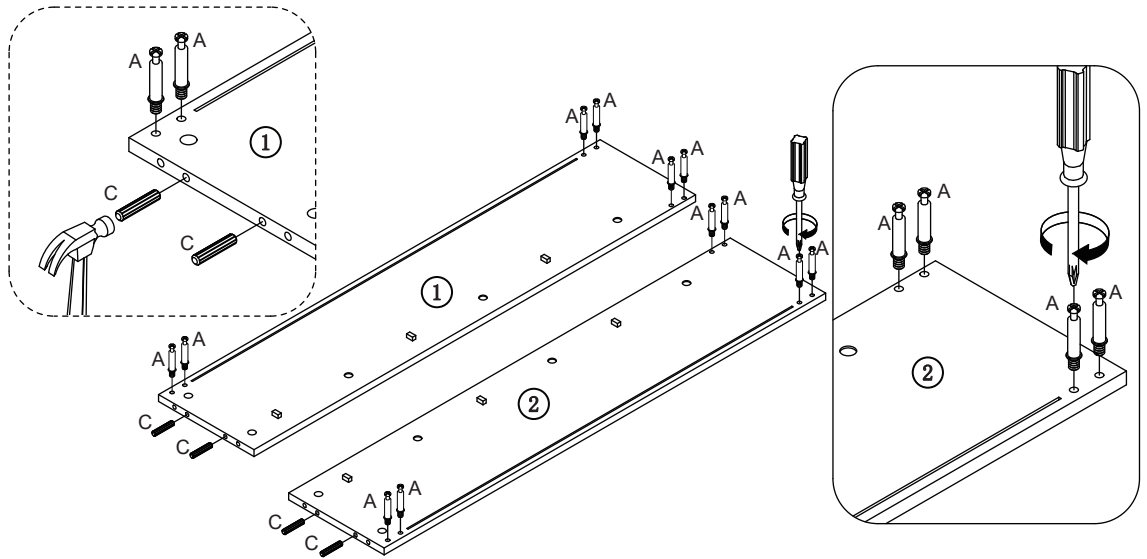


A		7X35MM	16X
B		15X9.5MM	16X
C		8X30MM	4X
D		4X35MM	2X
E			6X
F		3X14MM	6X
G		3.5X14MM	38X

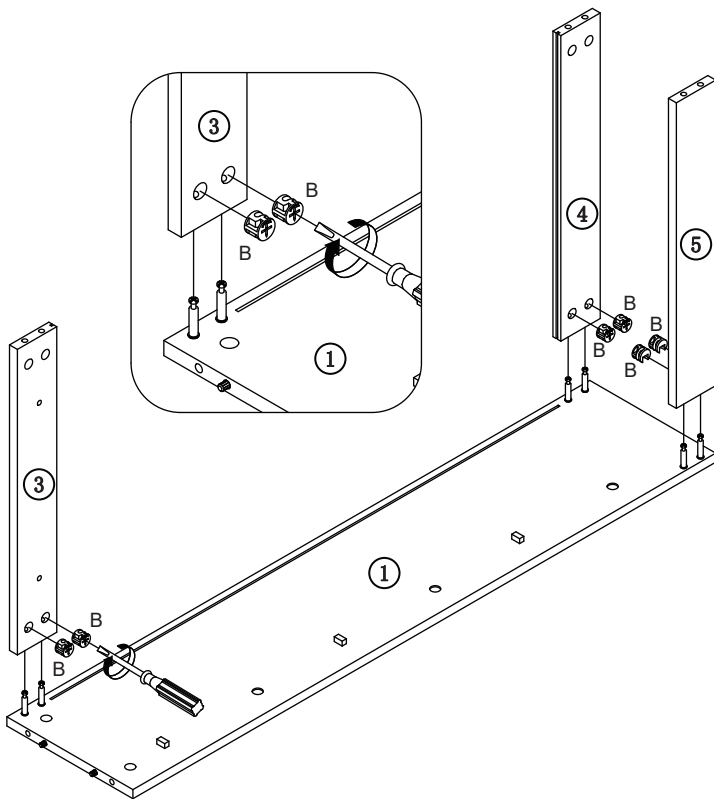
H		4X12MM	6X
I			3X
J			3X
K			6X
L			4X
M			2X
N			1X
O			2X



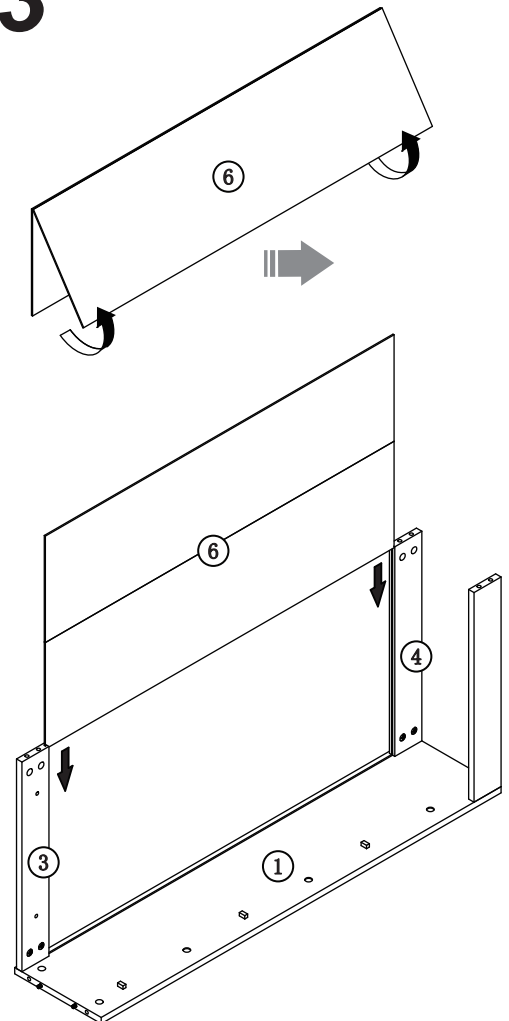
1



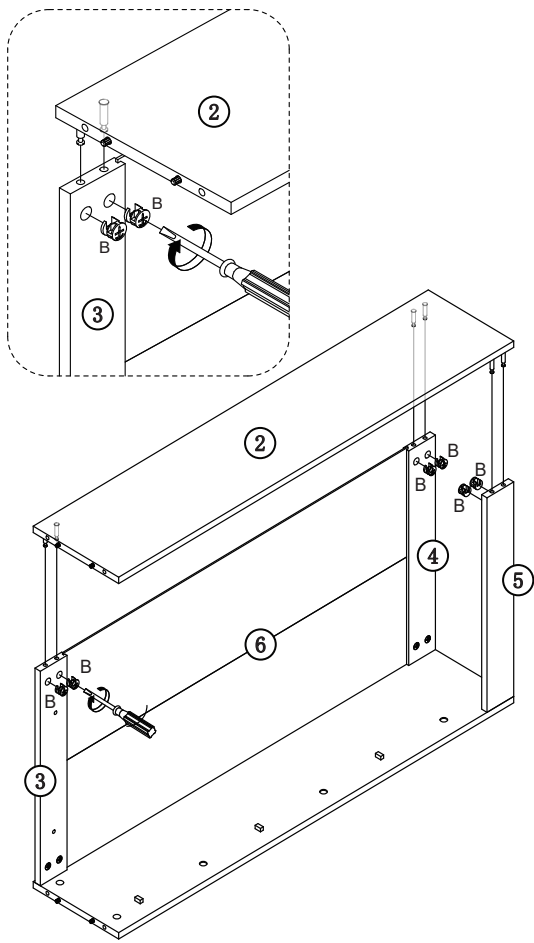
2



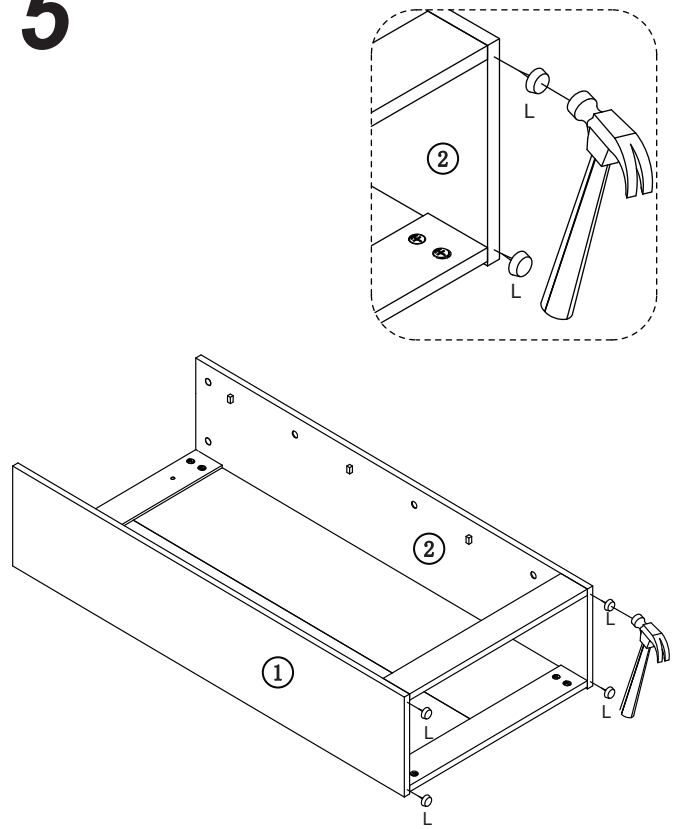
3



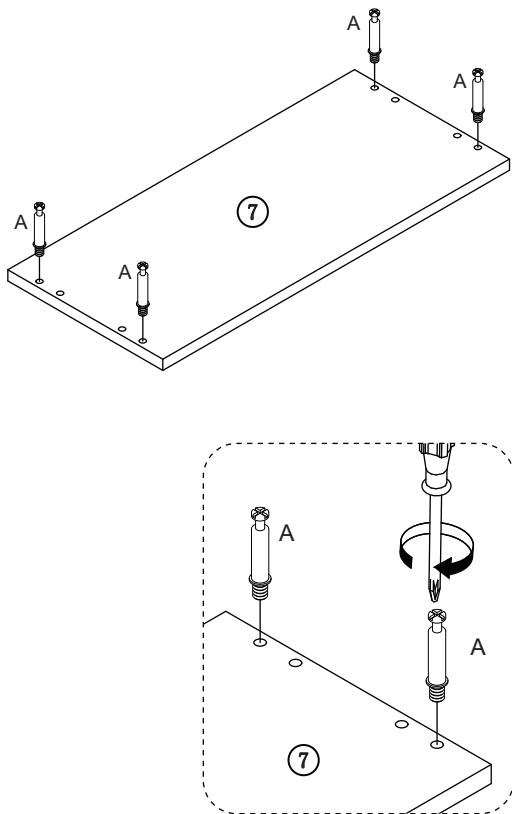
4



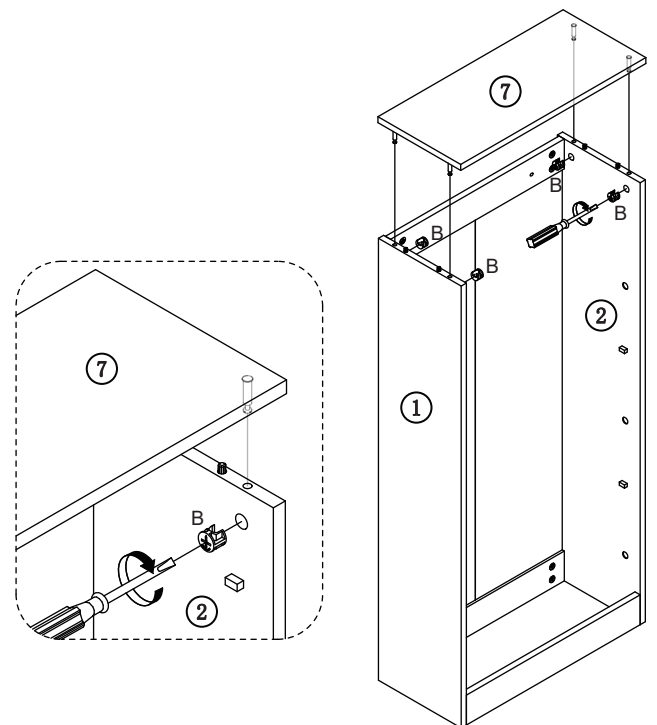
5



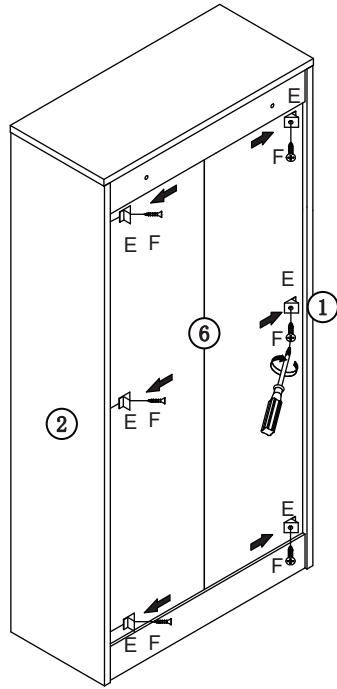
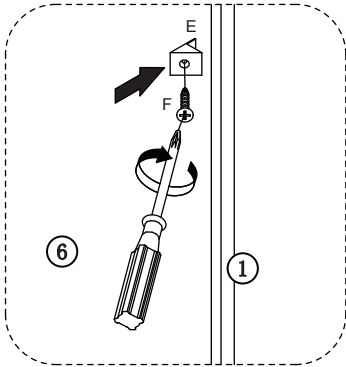
6



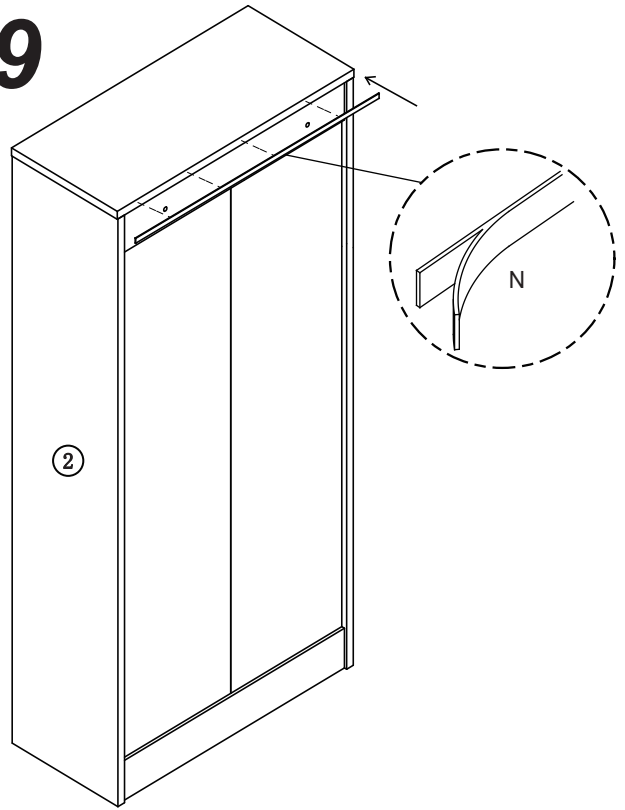
7



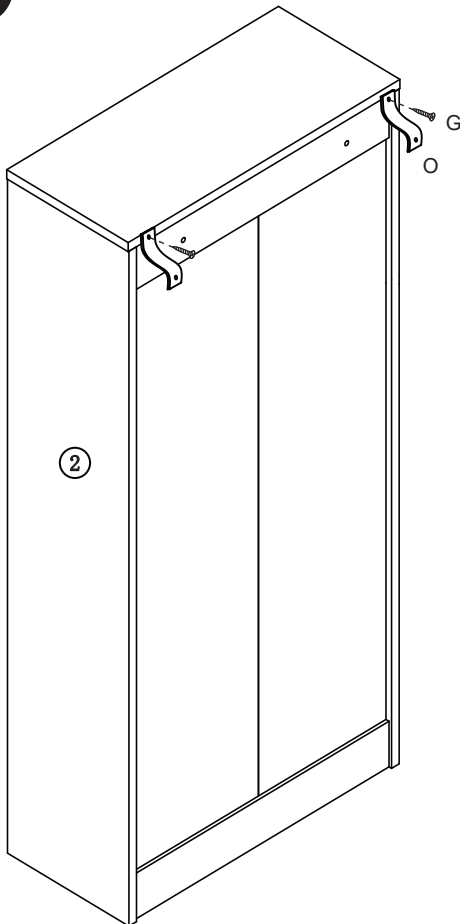
8



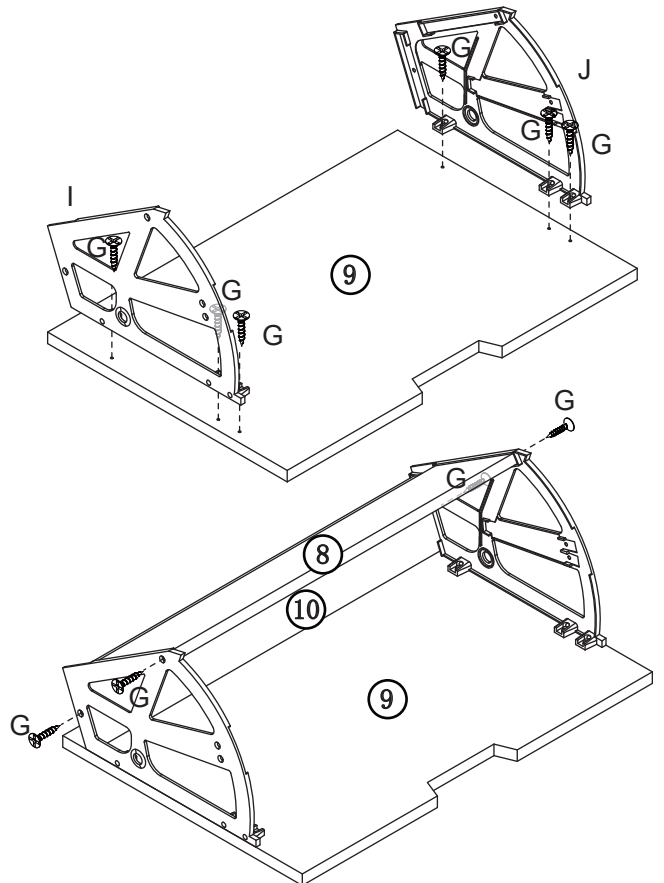
9



10

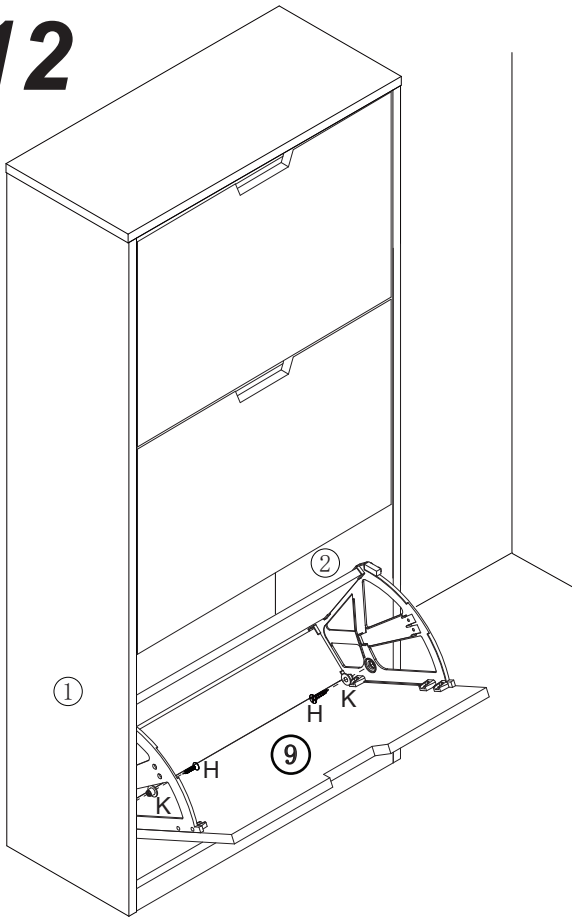


11

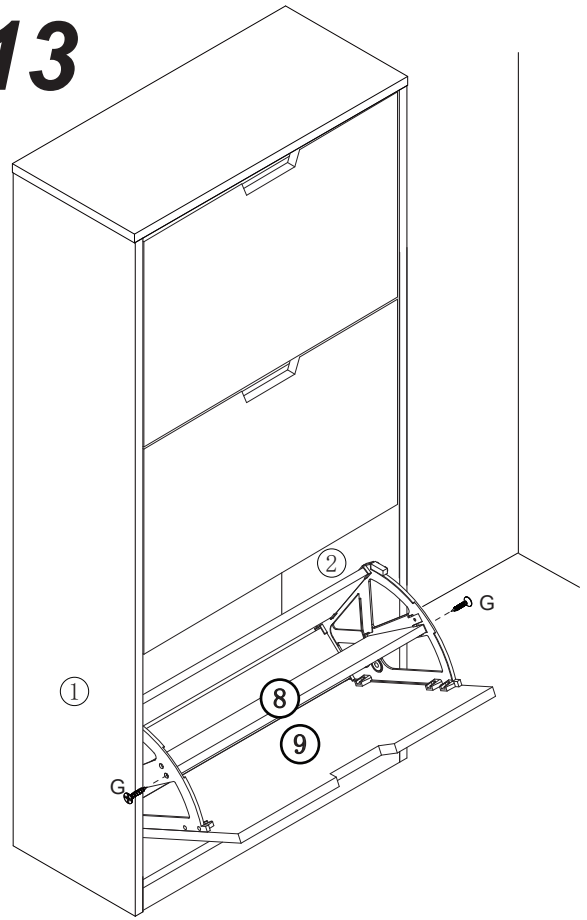


x3

12



13



14

