

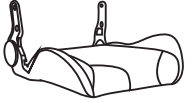




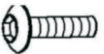
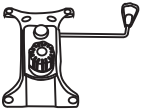

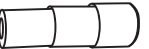




<p><b>(A)</b> X1</p> 	<p><b>(H)</b> X1</p> 
<p><b>(B)</b> X1</p> 	<p><b>(I)</b> X5</p> 
<p><b>(C)</b> X1</p> 	<p><b>(J)</b> X1</p> 
<p><b>(D)</b> X1</p> 	<p><b>(K)</b> X12</p> 
<p><b>(E)</b> X1</p> 	<p><b>(L)</b> X2</p> 
<p><b>(F)</b> X1</p> 	<p><b>(M)</b> X1</p> 
<p><b>(G)</b> X1</p> 	<p><b>(N)</b> X1</p> 