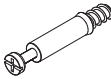

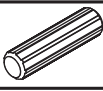

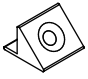






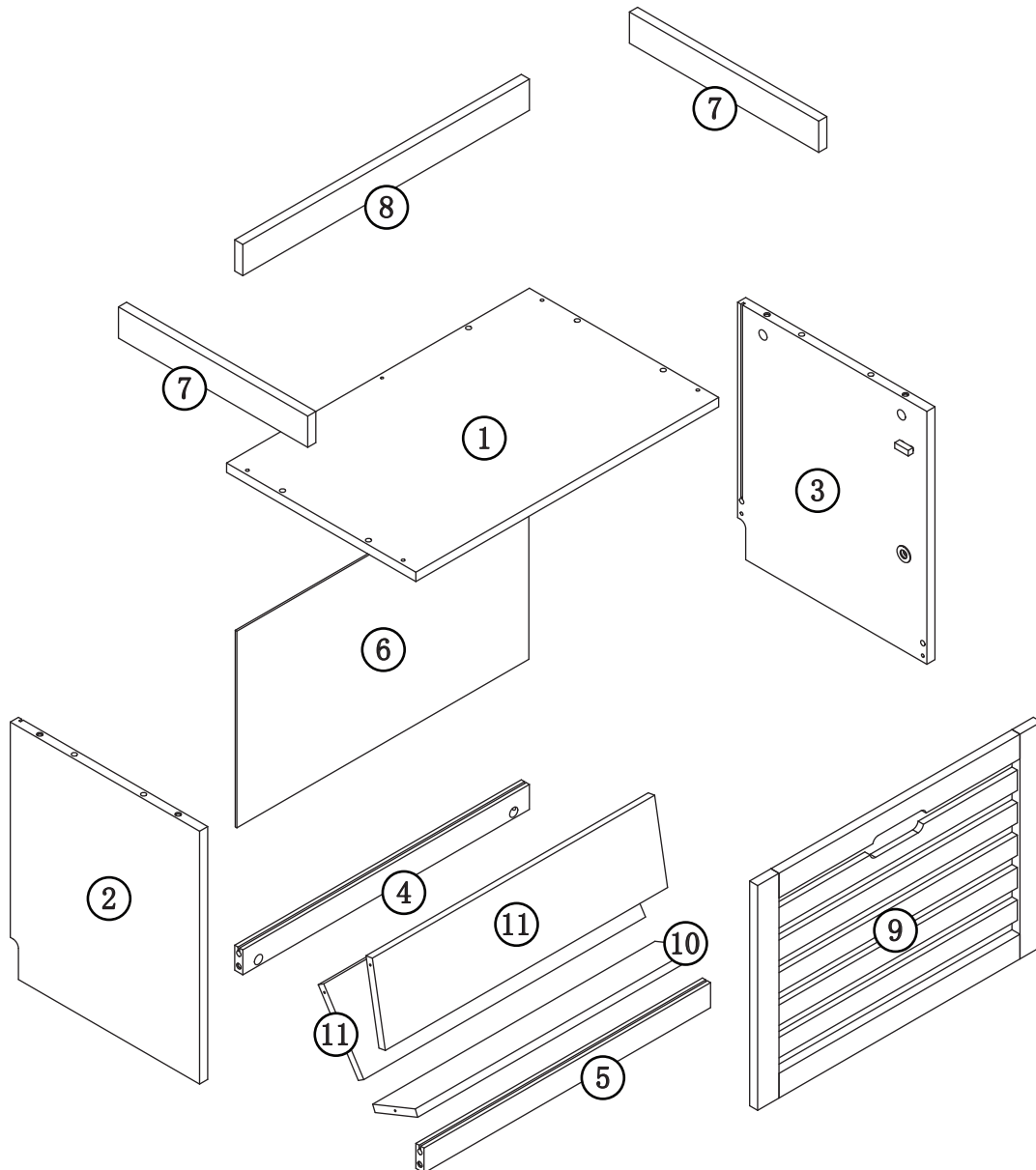
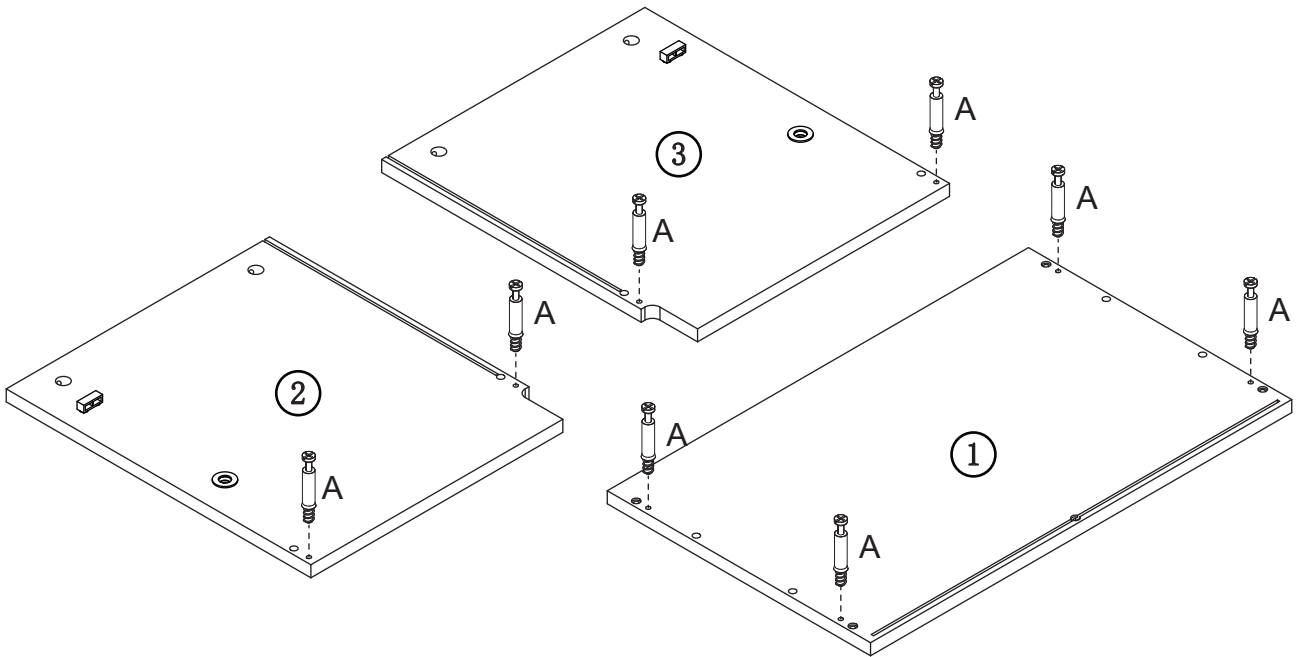
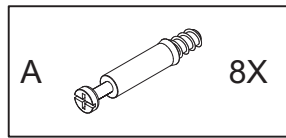


<b>A</b>		7X35MM	8X
<b>B</b>			8X
<b>C</b>		8X30MM	14X
<b>D</b>		4X35MM	5X
<b>E</b>			4X
<b>F</b>		3X14MM	4X

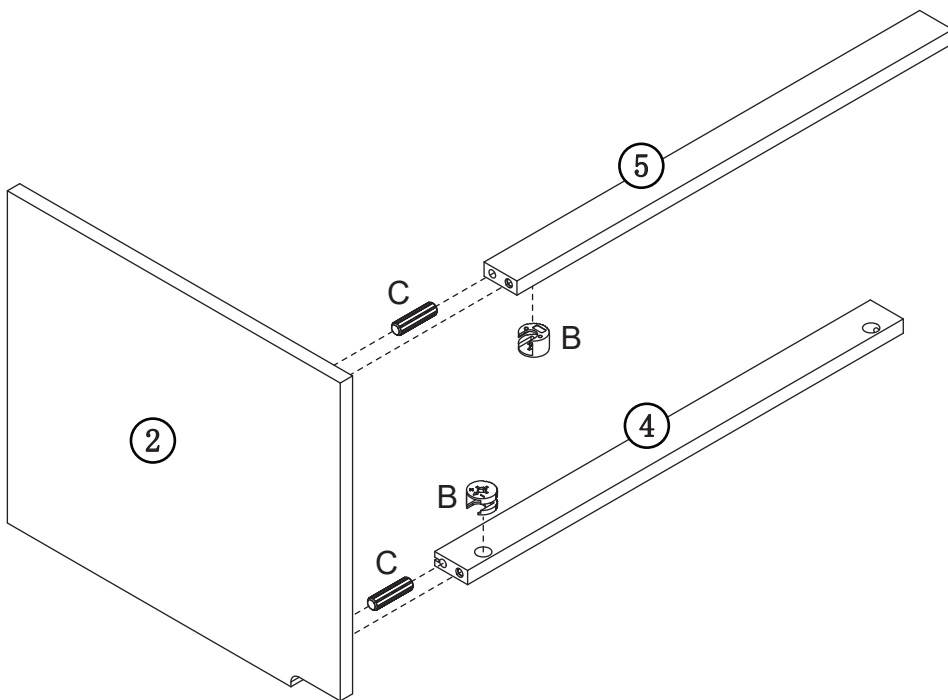
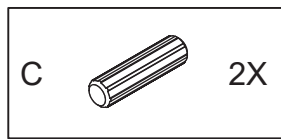
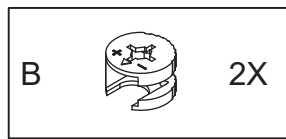
<b>G</b>		3.5X14MM	12X
<b>H</b>		4X12MM	2X
<b>I</b>			1X
<b>J</b>			1X
<b>K</b>			2X



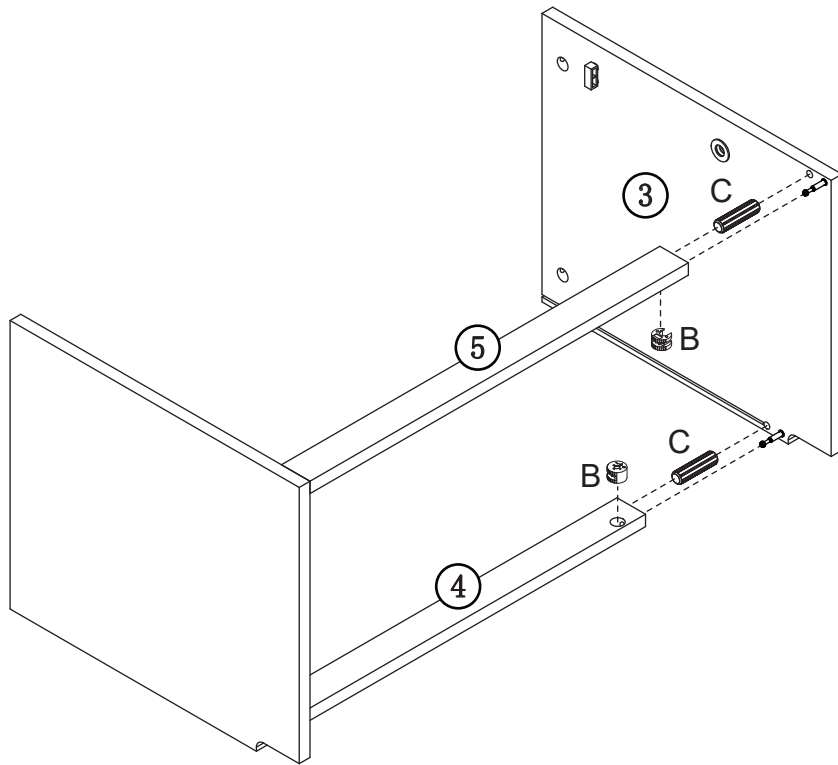
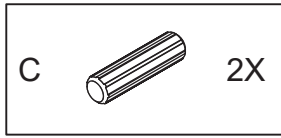
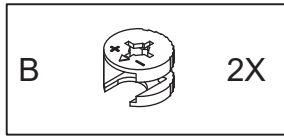
01 →



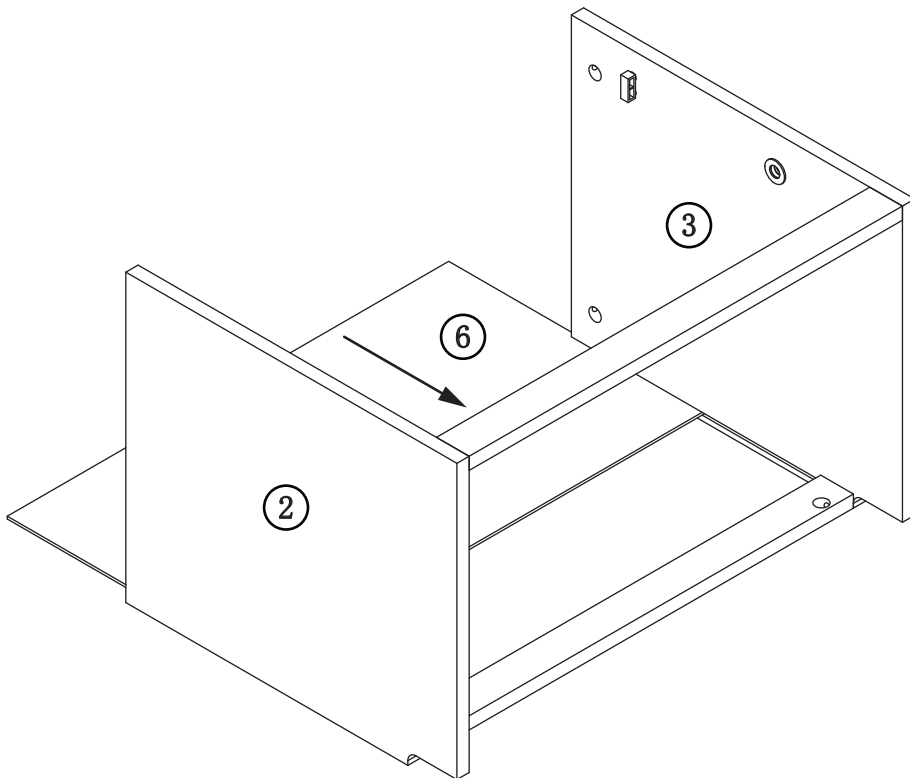
02 →



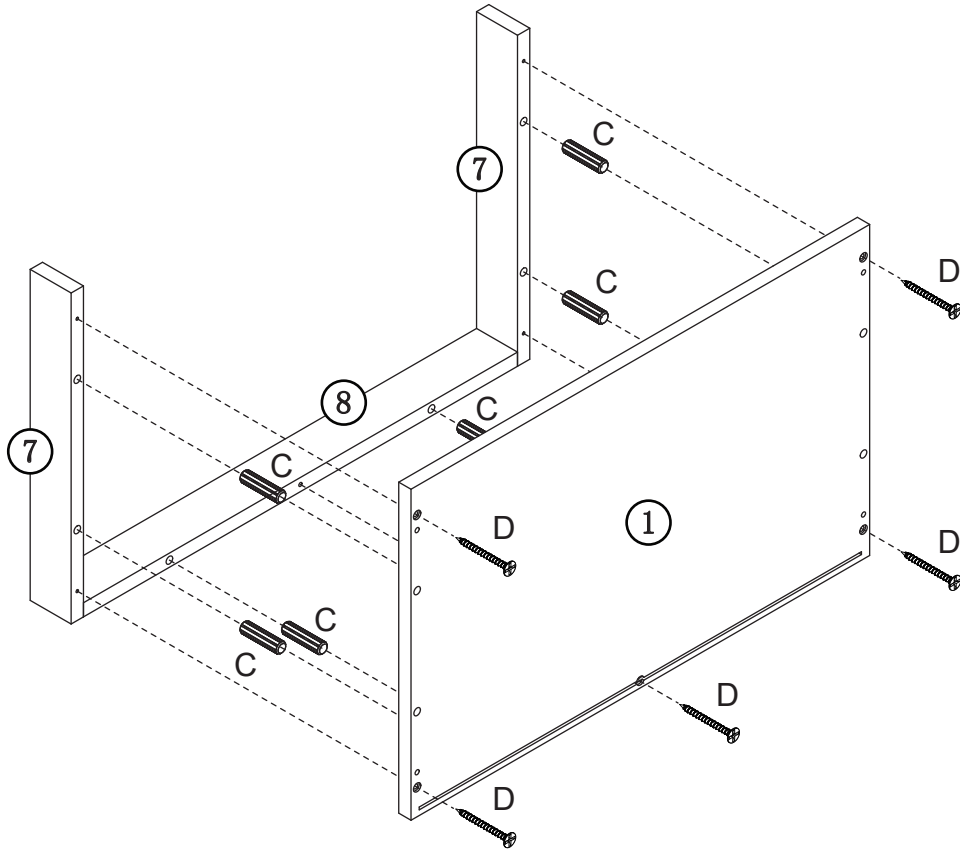
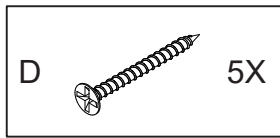
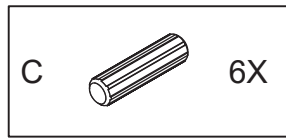
03 →



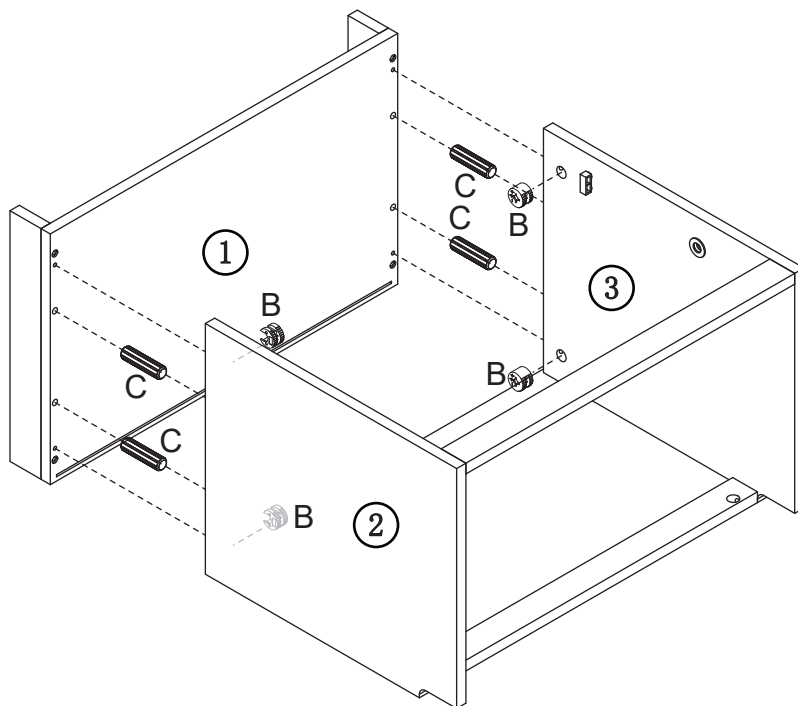
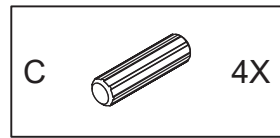
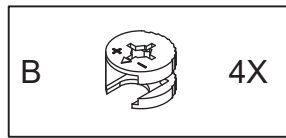
04 →



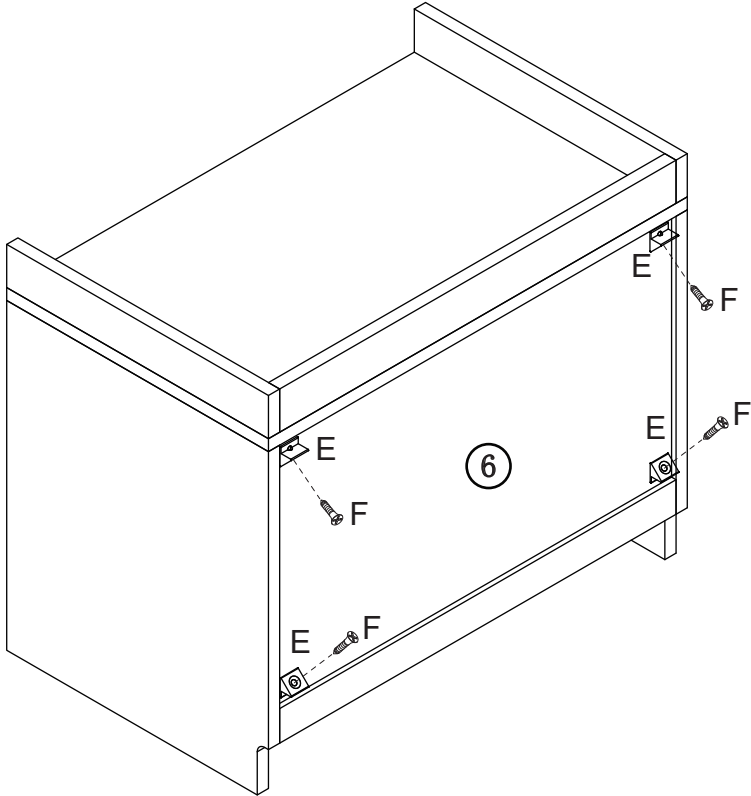
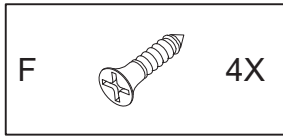
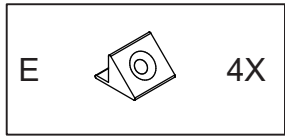
05 →



06 →

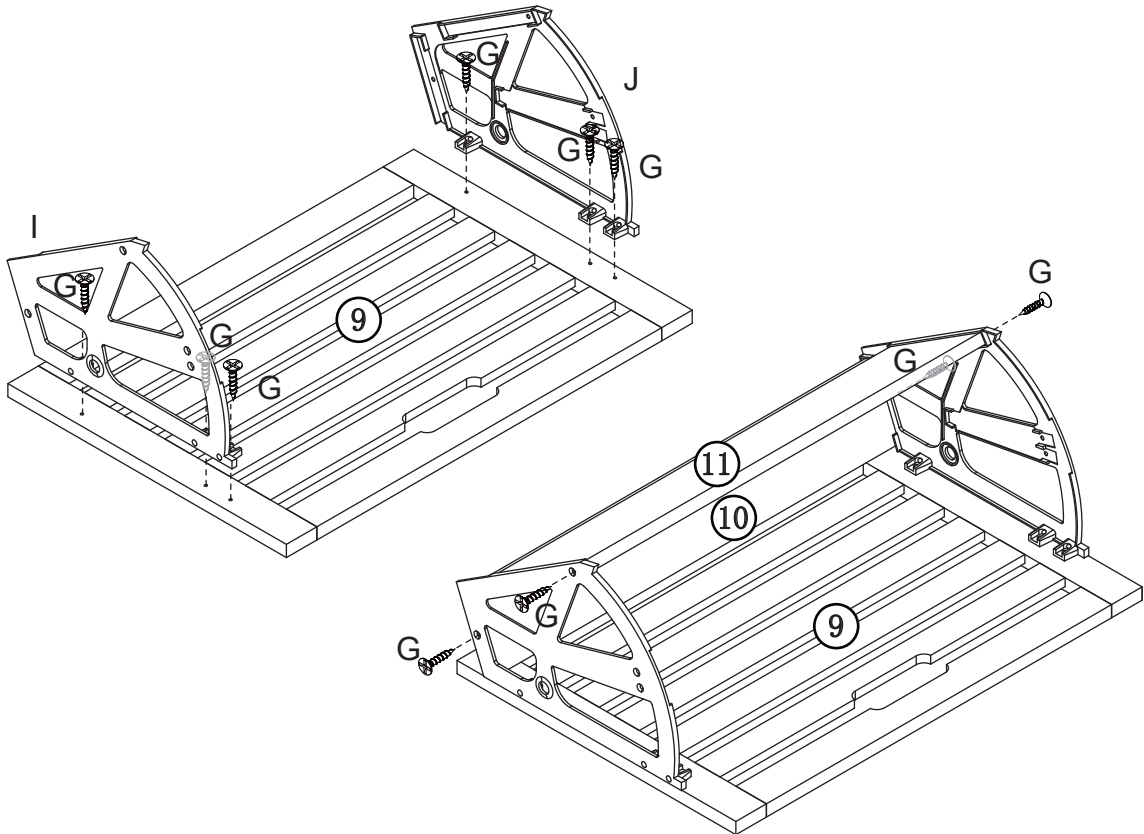
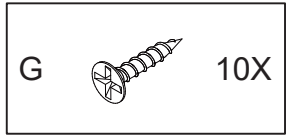
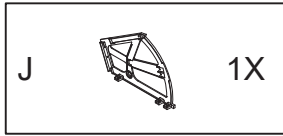
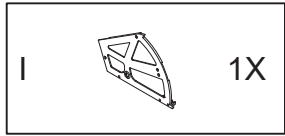


07 →

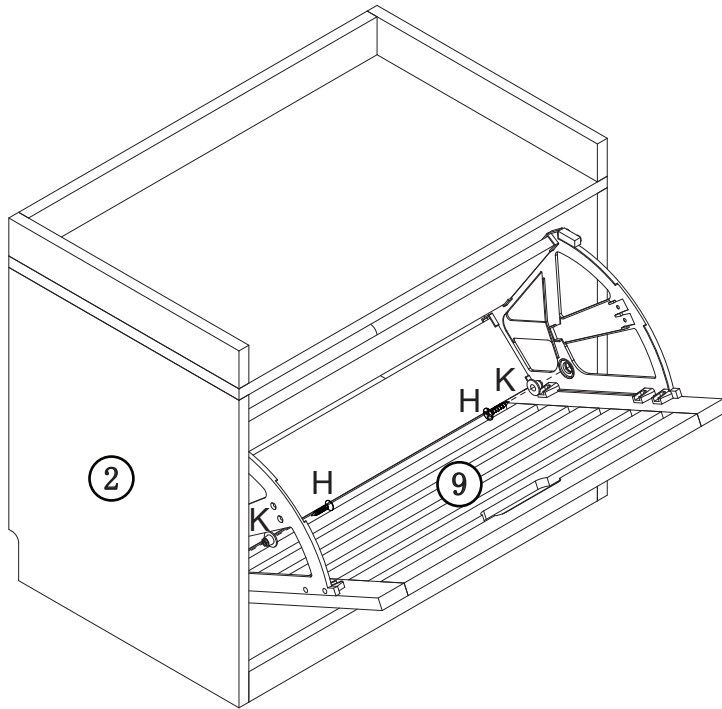
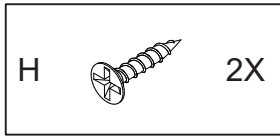
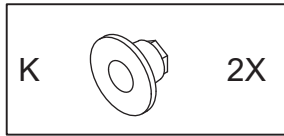


**BACK**

08 →



09 →



10 →

